

# **PARTS LIST** of illustrations for the

## **FORD 2700 RANGE DIESEL ENGINES OWNERS EDITION 1967**

**MODELS  
2701E 2703E 2704E 2706E 2708E 2709E**

With instructions in  
**ENGLISH**  
Avec instructions en  
**FRANCAIS**

Mit **DEUTSCHEN**  
Anweisungen  
Con instrucciones  
en **ESPAÑOL**

**THIS PARTS LIST  
OWNERS EDITION 1967  
FOR FORD 2700 RANGE DIESEL ENGINES  
IS PRESENTED THANKS TO THE SERVICES OF**



P.O.Box 257 5480 AG Schijndel The Netherlands  
van Leeuwenhoekweg 11 5482 TK Schijndel The Netherlands  
Tel +31(0)73 543 1900 Fax +31(0)73 543 2765  
[info@baysidemarineparts.com](mailto:info@baysidemarineparts.com)

REVIEWED. *F. E. 7/2/69*

# PARTS LIST

with illustrations for the

## FORD 2700 RANGE

### 4 & 6 Cylinder

### Diesel Engines

## 1969

## OWNERS EDITION

Models 2701E 2703E 2704E 2706E 2708E 2709E



With instructions in  
ENGLISH

Avec instructions en  
FRANÇAIS

Mit DEUTSCHEN  
Anweisungen

Con instrucciones  
en ESPAÑOL

Ford policy is one of continuous improvement. The right to change prices, specification and equipment at any time is reserved.

**FORD MOTOR COMPANY LIMITED PARTS SUPPLY OPERATIONS  
SOUTH OCKENDON ESSEX ENGLAND**

When reordering this list quote 9965 P7 (Finis code 1799657)

Printed in England by Mc Corquodale & Co Ltd London.

APRIL 1969

851960

PL 261



# Owners Parts List

---

## INSTRUCTIONS FOR ORDERING

- 1 Refer to Index pages for page number of part required.
- 2 Select part required from the relevant plate and submit BASIC part number and engine number.
- 3 Parts should always be ordered from the nearest authorized Ford Dealer.

The engine number is stamped adjacent to No. 1 cylinder on the right hand side of the cylinder block immediately below the cylinder head joint face.

Ford policy is one of continuous improvement, the right to change prices, specifications and equipment at any time without notice is reserved.

---

## INSTRUCTIONS DE COMMANDE

- 1 Se référer aux pages de l'index pour le numéro de page de la pièce requise.
- 2 Déterminer la pièce nécessaire d'après la plaque d'identification correspondante et indiquer le numéro DE BASE de la pièce et le numéro du moteur.
- 3 Commander toujours les pièces au concessionnaire Ford officiel le plus proche.

Le numéro du moteur est estampé près du cylindre No 1, sur le côté droit du bloc-cylindres et juste en-dessous de la jonction à la culasse.

La Société Ford poursuit une politique d'améliorations continues et se réserve le droit de modifier en tout temps et sans préavis les prix, les spécifications et l'équipement des ses véhicules.

---

---

## **BESTELL—ANLEITUNGEN**

- 1 Die Seitenzahl der gewünschten Teile im Stichwörterverzeichnis aufsuchen.
- 2 Das erforderliche Teil an Hand der maßgebenden Abbildung auswählen und die Grundnummer sowie Motornummer angeben.
- 3 Ersatzteile sollten immer bei der nächsten offiziellen Fordvertretung bestellt werden.

Die Motornummer ist neben dem Zylinder Nr. 1 auf der rechten Seite des Zylinderblockes sofort unter der Zylinderkopfdichtungsfläche ein-

Die Ford-Werke erstreben immer das Beste. Sie behalten sich das Recht vor, Preise, Bezeichnungen und Ausstattungen jeder Zeit und ohne vorherige Benachrichtigung zu ändern.

---

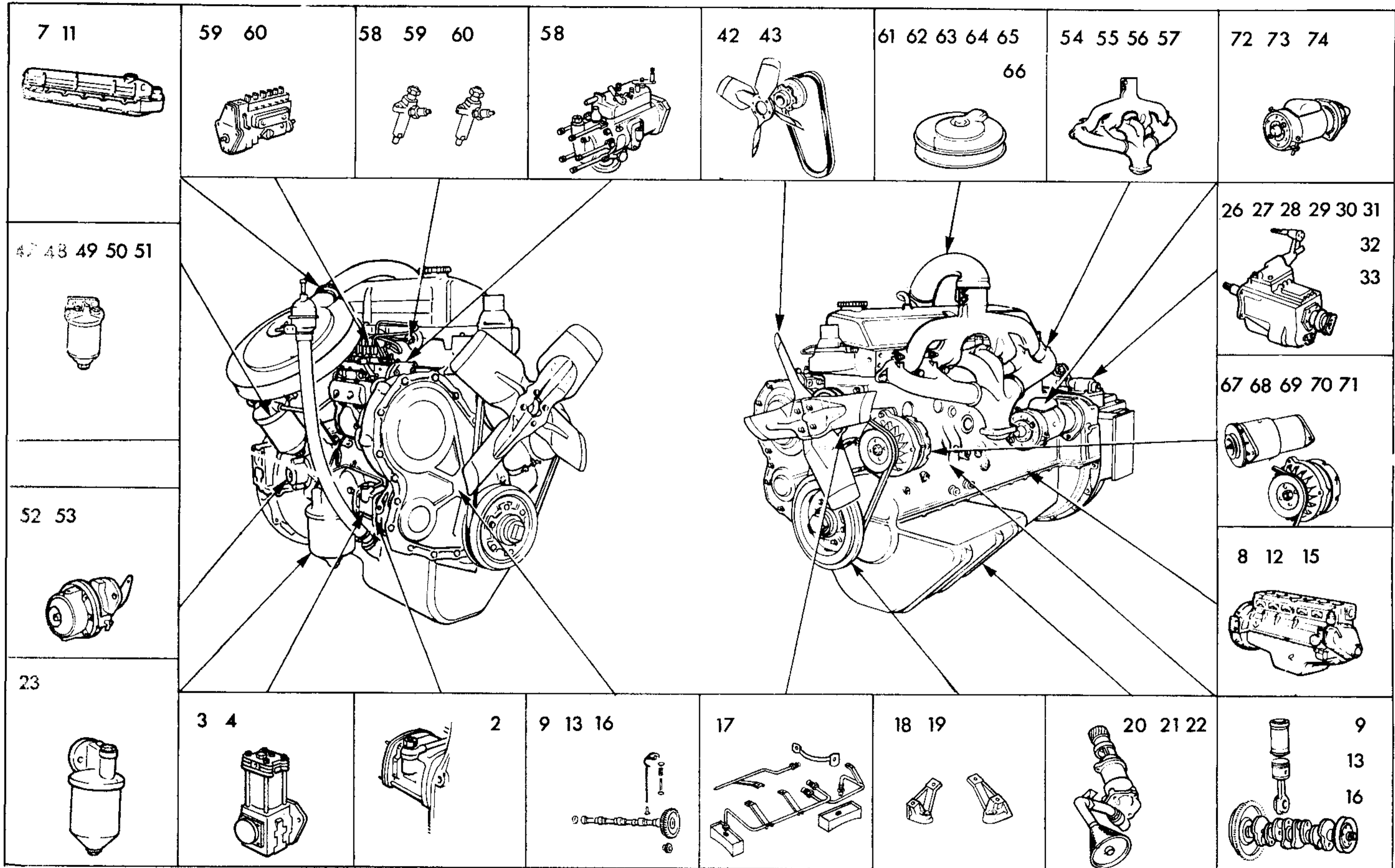
## **INSTRUCCIONES SOBRE LA PREPARACION DE PEDIDOS**

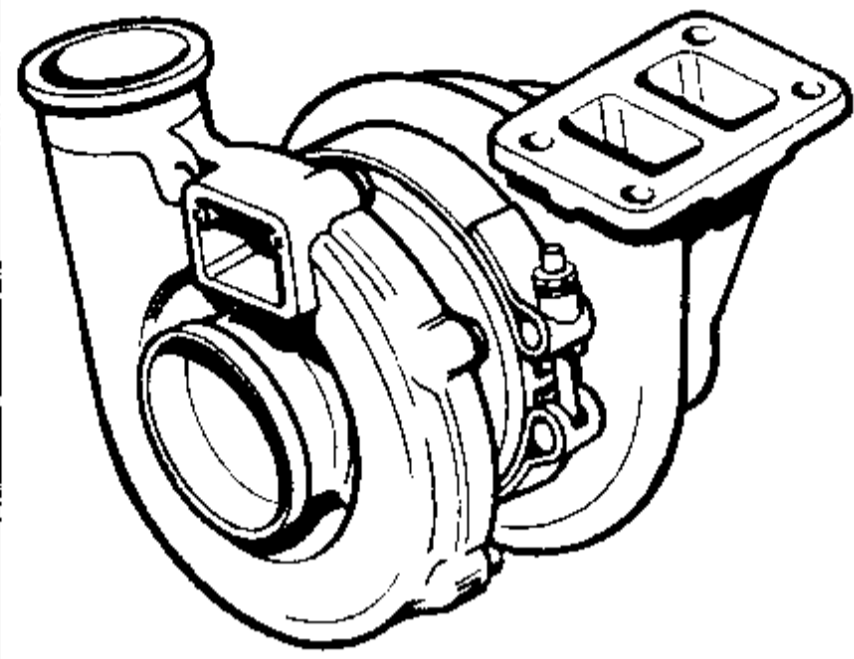
- 1 Consúltese en el índice el número de la página correspondiente a la pieza requerida.
- 2 Selecciónese la pieza necesaria del grabado correspondiente y cítese el número de pieza BASICO y el número del motor.
- 3 Las piezas se deben solicitar siempre a Concesionario Ford más cercano.

El número del motor va estampado junto al cilindro número 1, al lado derecho del bloque de cilindros, inmediatamente debajo de la cara que se une a la culata.

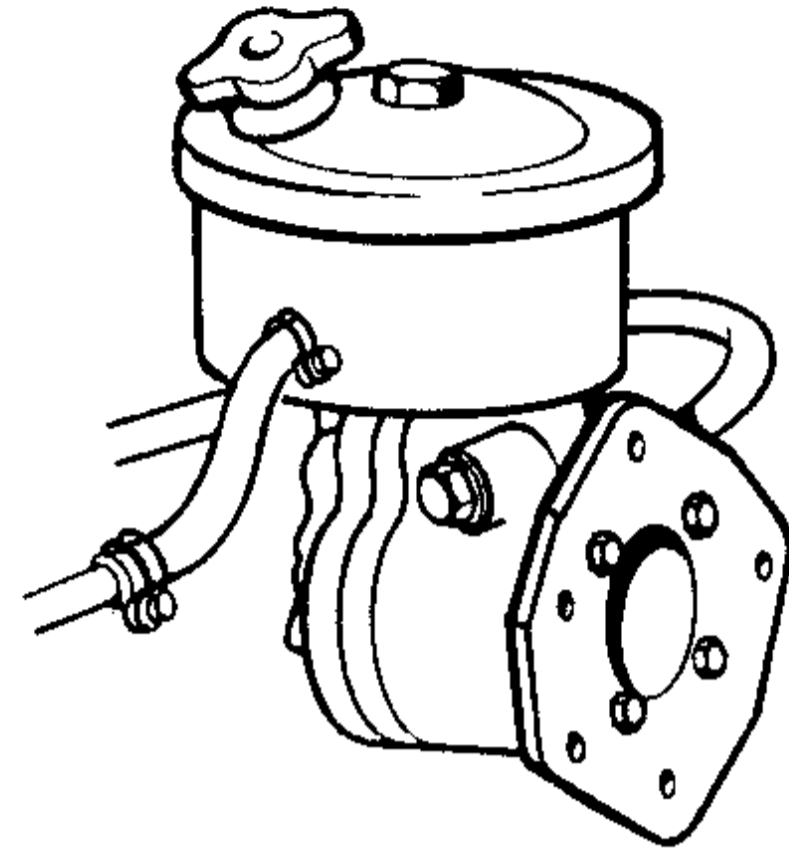
La norma de la casa Ford es una de continua mejora y se reserva el derecho de alterar precios, especificaciones y equipo en cualquier momento sin previo aviso.

---

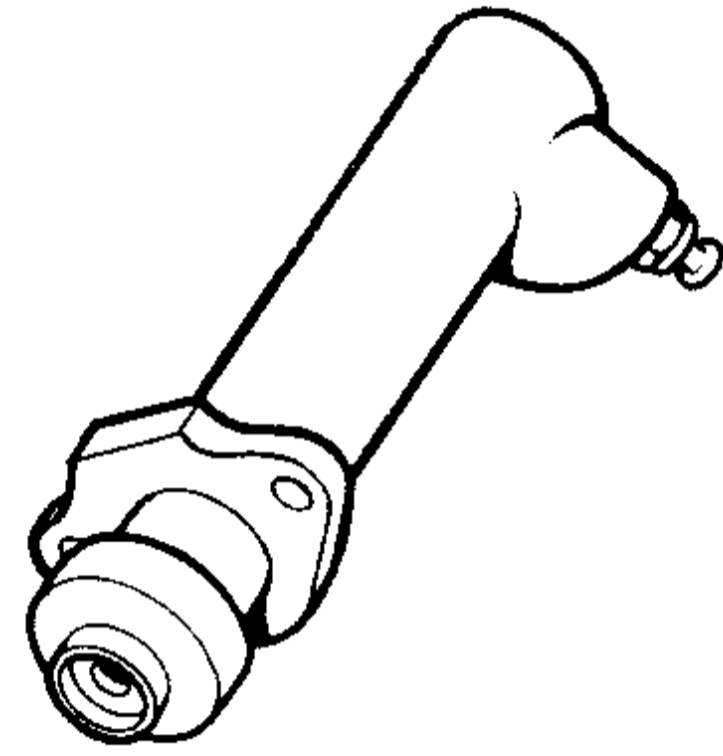




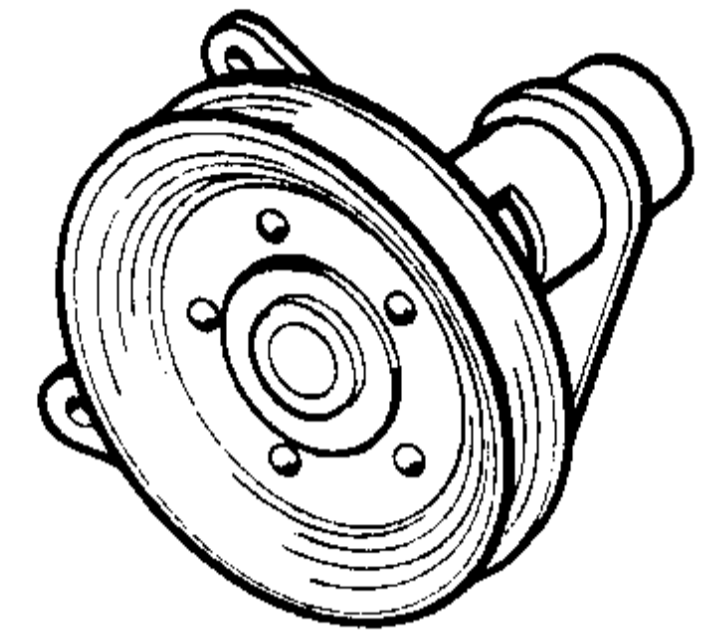
24 25



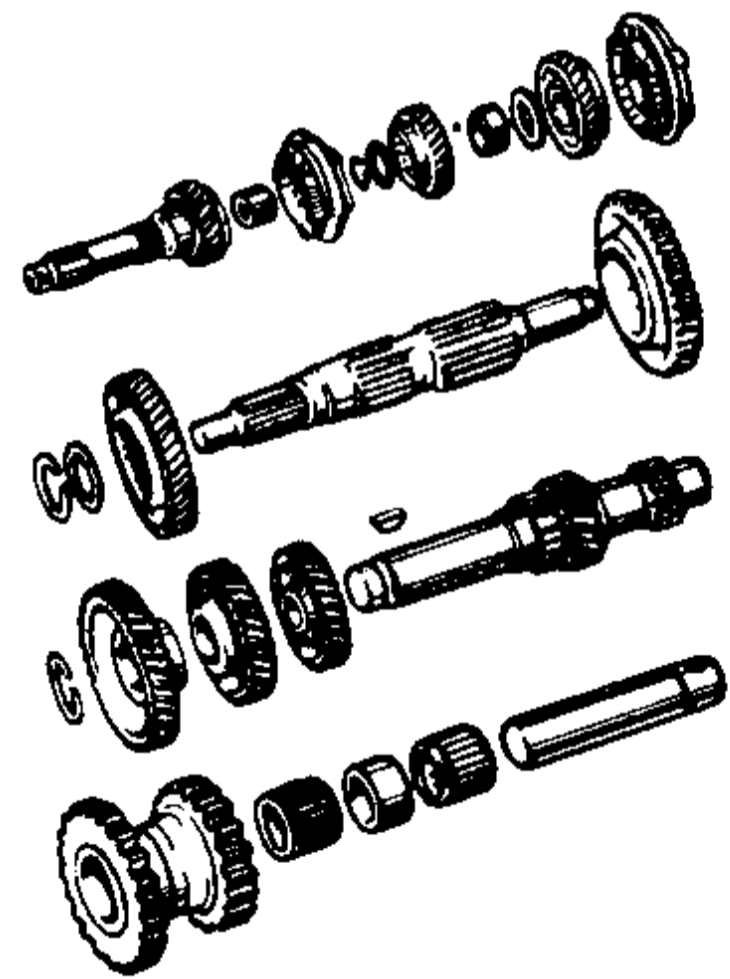
5



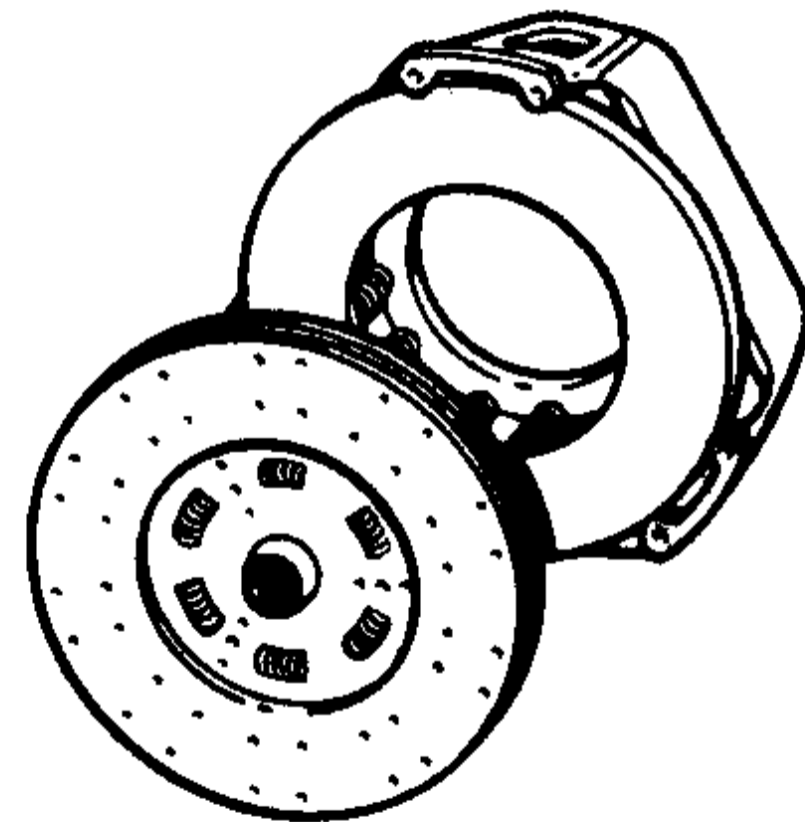
41



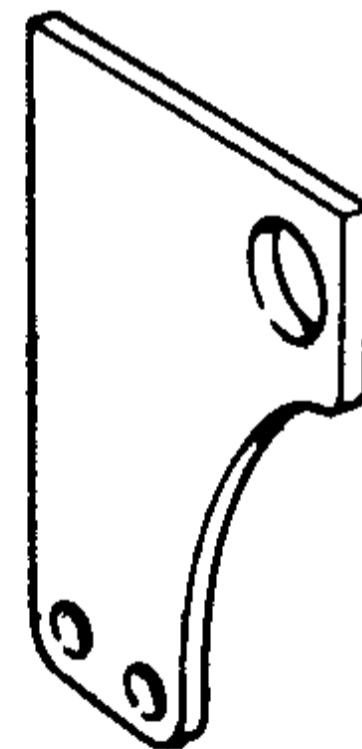
44



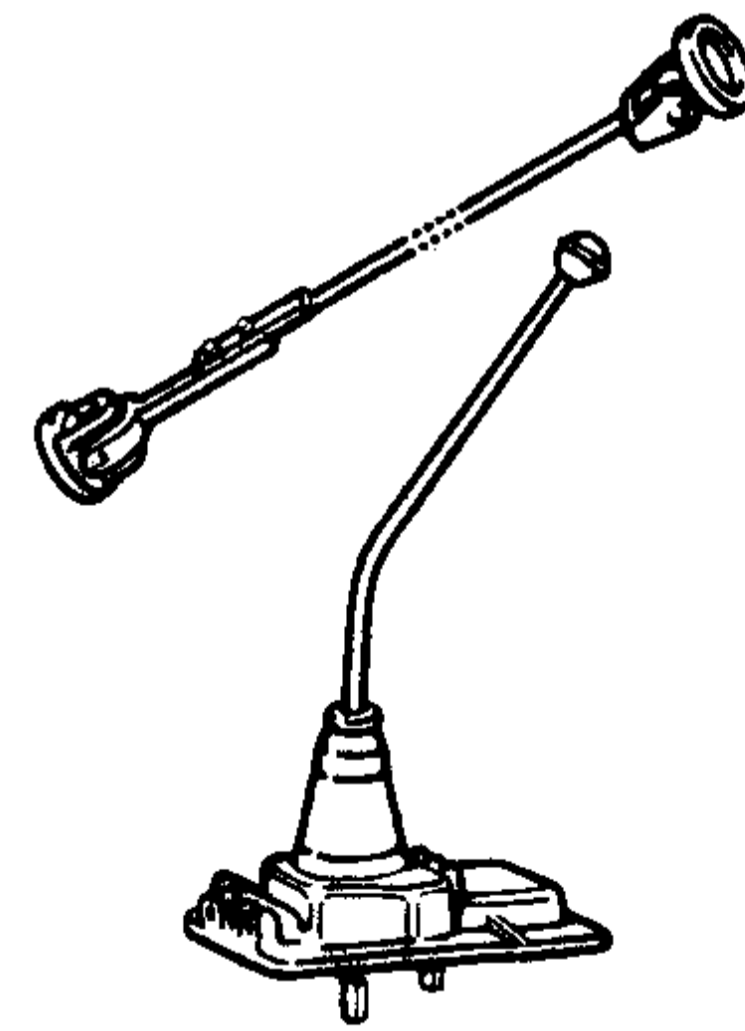
27 29 31 33



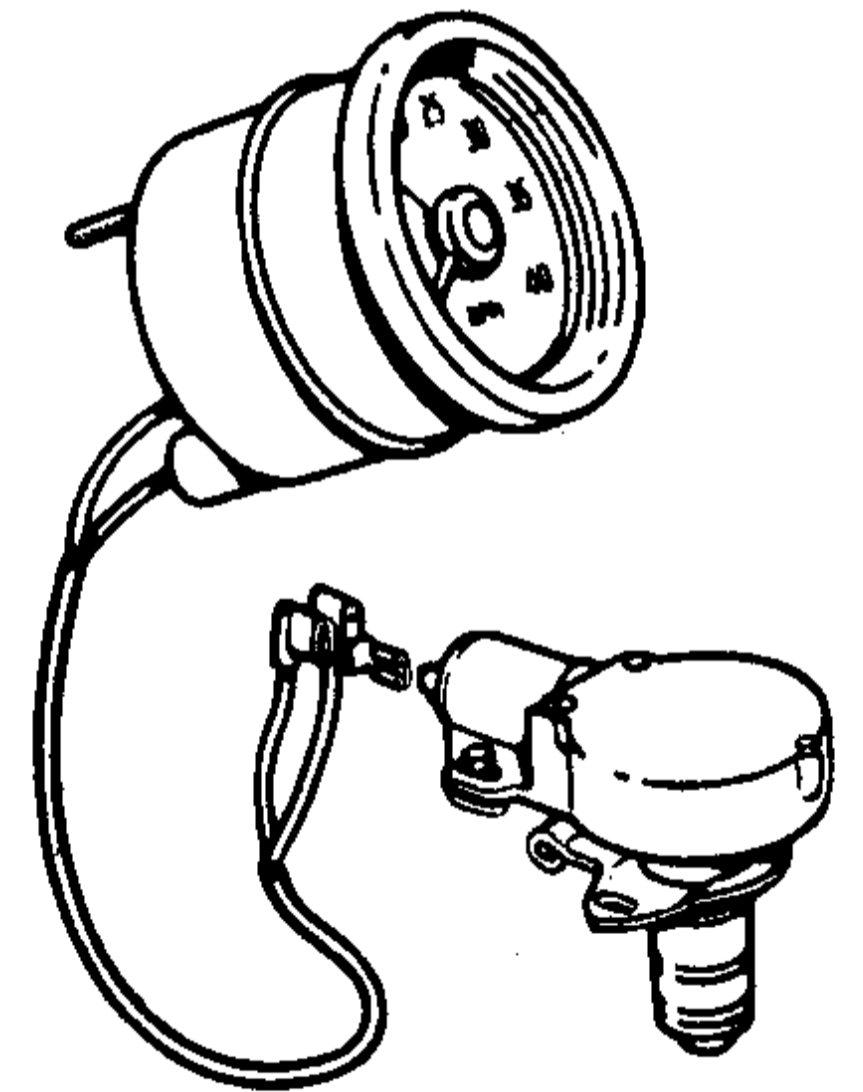
38 39 40



75



26 34 35



76 77

# INDEX TO PARTS LIST

	<i>Page No.</i>
Air Cleaner ...	61, 62, 63, 64, 65, 66
Alternator ...	68, 70, 71
Compressor—Interior ...	3
Exterior ...	4
Cylinder head—4 cylinder ...	7
6 cylinder ...	11
Clutch Disc and Pressure Plates—	
11 in. dia. ...	38
12 in. dia. ...	39
13 in. dia. ...	40
Clutch Housing and release ...	36, 37, 41
Engine Exterior—4 cylinder ...	8
6 cylinder ...	12, 15
Engine Interior—4 cylinder ...	9
6 cylinder ...	13, 16
Feet—Engine Mounting ...	18, 19
Filter—Engine Oil ...	23
Fuel Oil ...	47, 48, 49, 50, 51
Fuel System ...	45, 46
Gearbox—External—4 speed ...	26, 28
5 speed ...	30, 32
Internal —4 speed ...	27, 29
5 speed ...	31, 33
Gear Change ...	34, 35

	<i>Page No.</i>
Generator... ...	67, 69
Lift Bracket ...	75
Manifolds ...	54, 55, 56, 57
Pump—Vacuum ...	2
Power Steering ...	5
Engine Oil ...	17, 20, 21, 22
Water ...	42, 43, 44
Fuel Lift ...	52, 53
Injection—Simms Type	59, 60
Injection—C.A.V. Type	58
Starter Motor ...	72, 73, 74
Tachometer ...	76, 77
Turbocharger ...	24, 25
Valve Operating Mechanism—	
4 cylinder ...	10
6 cylinder ...	14



# INDEX DU CATALOGUE DE PIÈCES DÉTACHÉES

	<i>Page No.</i>
Alternateur ... ..	68, 70, 71
Boite de Vitesses—	
Extérieur—4 vitesses ...	26, 28
Extérieur—5 vitesses ...	30, 32
Intérieur—4 vitesses ...	27, 29
Carter d'embrayage et mécanisme de débrayage ... ..	36, 37, 41
Changement de vitesse ... ..	34, 35
Compresseur—Extérieur ... ..	4
Intérieur ... ..	3
Culasse—4 cylindres ... ..	7
6 cylindres ... ..	11
Culbuterie—4 cylindres ... ..	7
6 cylindres ... ..	11
Démarrreur ... ..	72, 73, 74
Disque d'Embrayage et Plateau de Pression—	
11 pouces diamétré ... ..	38
12 pouces diamètre ... ..	39
13 pouces diamètre ... ..	40
Dynamo ... ..	67, 69
Epurateurs d'Air	61, 62, 63, 64, 65, 66

	<i>Page No.</i>
Filtre—Carburant ... ..	47, 48, 49, 50, 51
Moteur à Huile ... ..	23
Moteur—Extérieur—4 cylindres ...	8
6 cylindres ... ..	12, 15
Moteur—Intérieur—4 cylindres ...	9
6 cylindres ... ..	13, 16
Pieds—Support du Moteur ... ..	18, 19
Pompe—Carburant ... ..	52
Dépression ... ..	10
Direction Assistée ... ..	14
Eau ... ..	42, 43, 44
Huile de Moteur	17, 20, 21, 22
Injection—Type Simms	59, 60
Injection—Type C.A.V. ... ..	58
Support—Elever ... ..	75
Système d'alimentation ... ..	45, 46
Tachymetre ... ..	76, 77
Turbocompresseur ... ..	24, 25
Tubulures ... ..	54, 55, 56, 57

# INHALTSVERZEFICHNIS ZUR ERSATZTEILLISTE

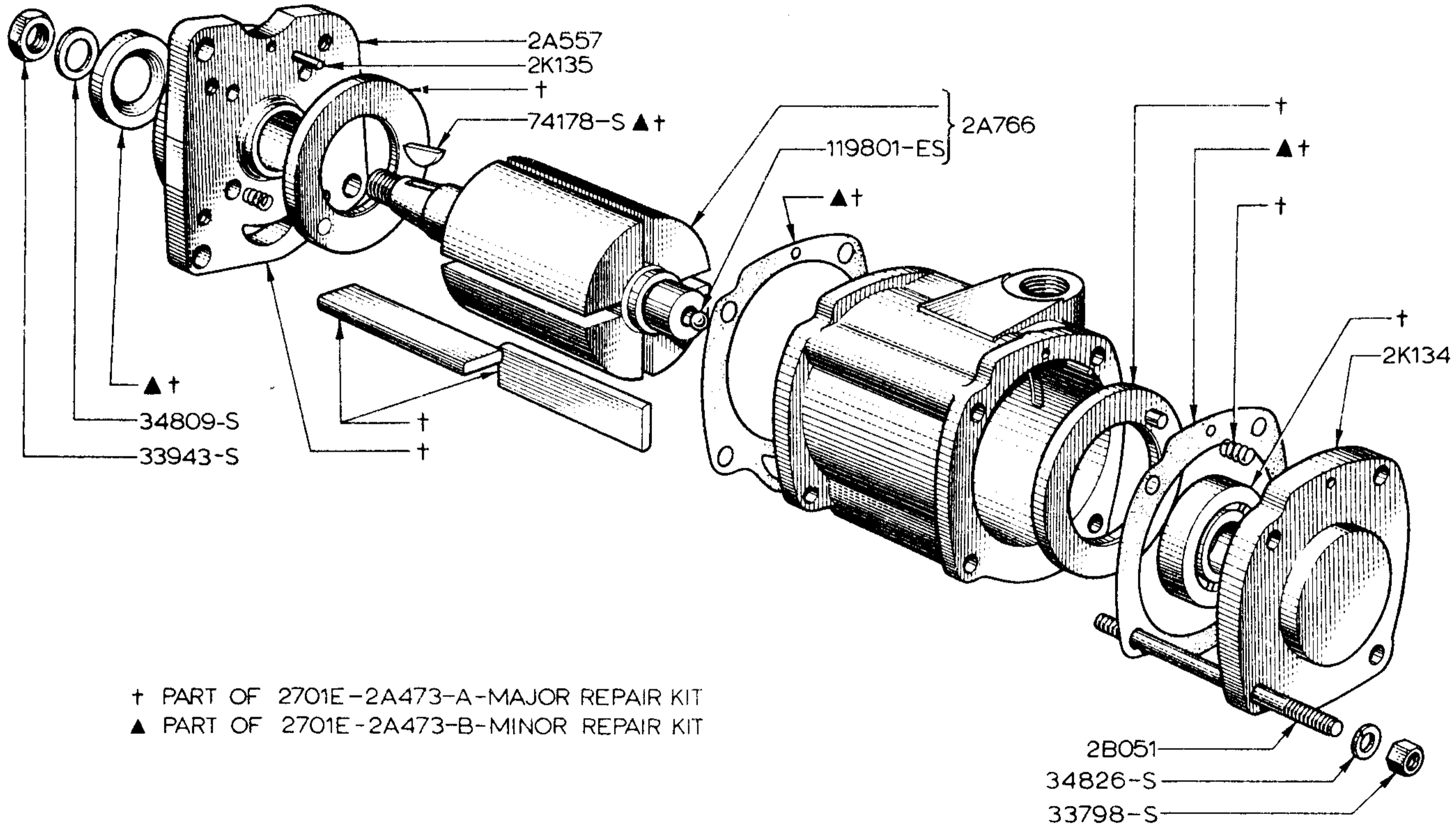
	Seite
Agerbok Heben ... ..	75
Anlasser ... ..	72, 73, 74
Arbeitsmechanismus der Ventile—	
4 zylinder ... ..	10
6 zylinder ... ..	14
Filter—Kraftstoff ... ..	47, 48, 49, 50, 51
Ölfilter ... ..	23
Fusse—Motoaufhängang ...	18, 19
Getriebe—Au Benteile—4-Gang	26, 28
5-Gang	30, 32
Innenteile—4-Gang ...	29
5-Gang ...	31, 33
Kompressor—Au Benteile ...	4
Innenteile ...	3
Kraftstoffsystem ... ..	45, 46

	Seite
Kupplungscheibe u. Druckplatte—	
11 in. Durchmesser ... ..	38
12 in. Durchmesser ... ..	39
13 in. Durchmesser ... ..	40
Kupplungsgehäuse und Ausrückteil	36, 37, 41
Lenkradschaltung ... ..	34, 35
Lichtmaschine ... ..	67, 69
Luftfilter ... ..	61, 62, 63, 64, 65, 66
Motor—Au Benteile—4 zylinder	8
6 zylinder	12, 15
Motor—Innenteile—4 zylinder	9
6 zylinder	13, 16
Pumpe—	
Einspritzpumpe—Typus Simms	59, 60
Einspritzpumpe—Typus C.A.V.	58
Kraftstoff ... ..	52, 53
Motorenöl ... ..	17, 20, 21, 22
Serzolenkung ... ..	5
Unterdruck ... ..	2
Wasser ... ..	42, 43, 44
Sammelrohre ... ..	54, 55, 56, 57
Tachometer ... ..	76, 77
Turbo Auflader ... ..	24, 25
Wechselstromgenerator...	68, 70, 71
Zylinderkopf—4 zylinder ...	7
6 zylinder ...	8, 11

# INDICE PARA LA LISTA DE REPUESTOS

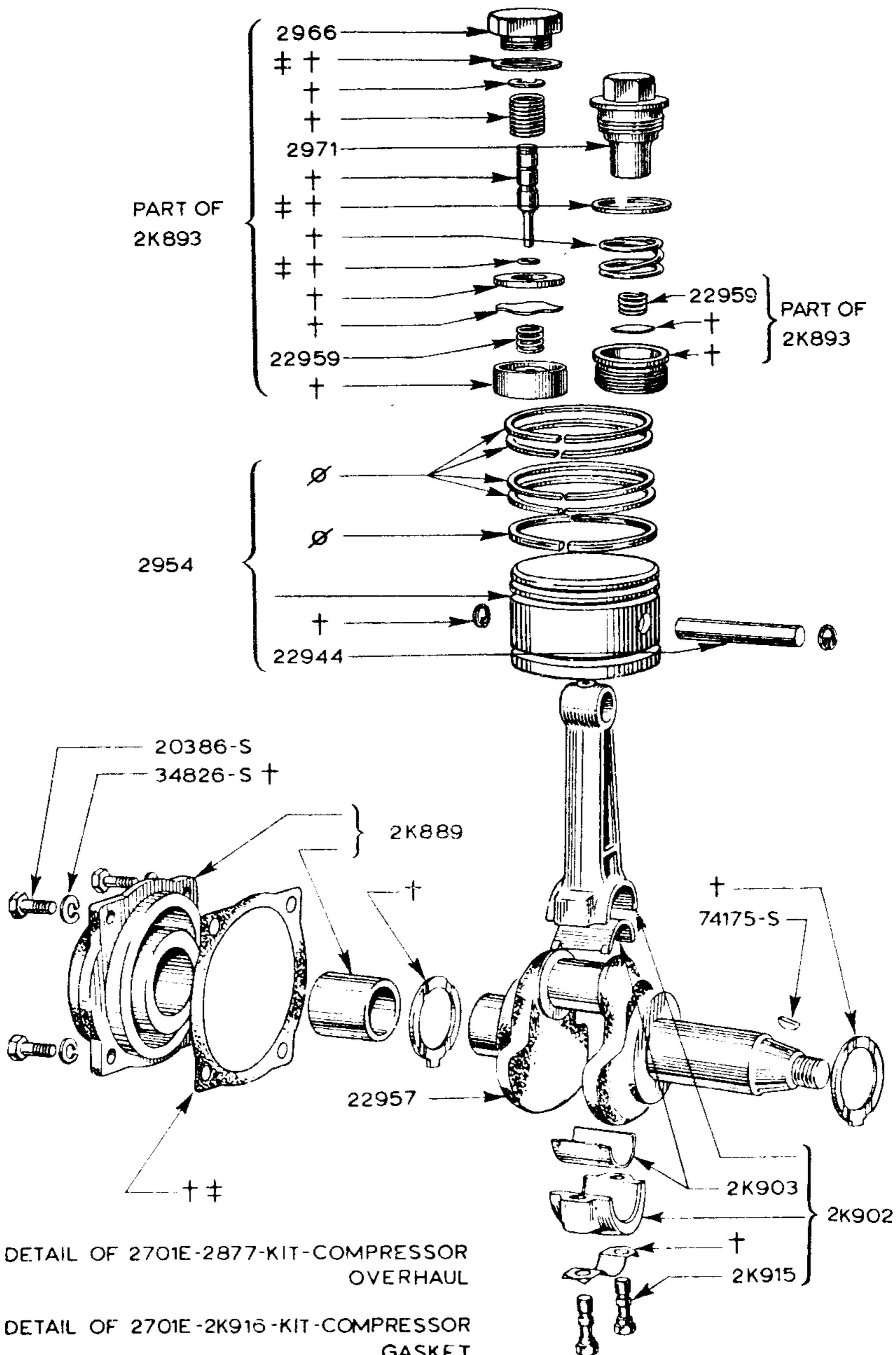
	<i>Página</i>
Alternador ... ..	68, 70, 71
Brazo Elevador ... ..	75
Bomba—	
Aceite de Motor	17, 20, 21, 22
Agua ... ..	42, 43, 44
Combustible ... ..	52, 53
Depresion ... ..	2
Inyeccion—Tipo Simms	59, 60
Inyeccion—Tipo C.A.V.	58
Servo Direccion ... ..	5
Cambios ... ..	34, 35
Caja de Cambios—	
Exterior—4 marchas ...	26, 28
Exterior—5 marchas ...	30, 32
Interior—4 marchas ...	27, 29
Interior—5 marchas ...	31, 33
Campana y mecanismo de desembrague	36, 37, 41
Compressor—	
Exterior ... ..	4
Interior ... ..	3
Culata de Cilindros—	
4 cilindros ... ..	7
6 cilindros ... ..	11
Disco y Plato de Embrague—	
11 plg. Diametro ... ..	38
12 plg. Diametro ... ..	39
13 plg. Diametro ... ..	40

	<i>Página</i>
Filtro—Combustible ...	47, 48, 49, 50, 51
Motor de Aceite ... ..	23
Generador ... ..	67, 69
Mecanismo de Válvulas—	
4 cilindros ... ..	10
6 cilindros ... ..	14
Motor—Exterior—	
4 cilindros ... ..	8
6 cilindros ... ..	12, 15
Motor—Interior—	
4 cilindros ... ..	9
6 cilindros ... ..	13, 16
Motor de Arranque ...	72, 73, 74
Multiples y Colectores ...	54, 55, 56, 57
Pastillas—Montaje del Motor ...	18, 19
Purificadores de Aire	61, 62, 63, 64, 65, 66
Sistema de Combustible ...	45, 46
Taquimetro ... ..	76, 77
Turbocompresor ... ..	24, 25



VACUUM PUMP ASSY



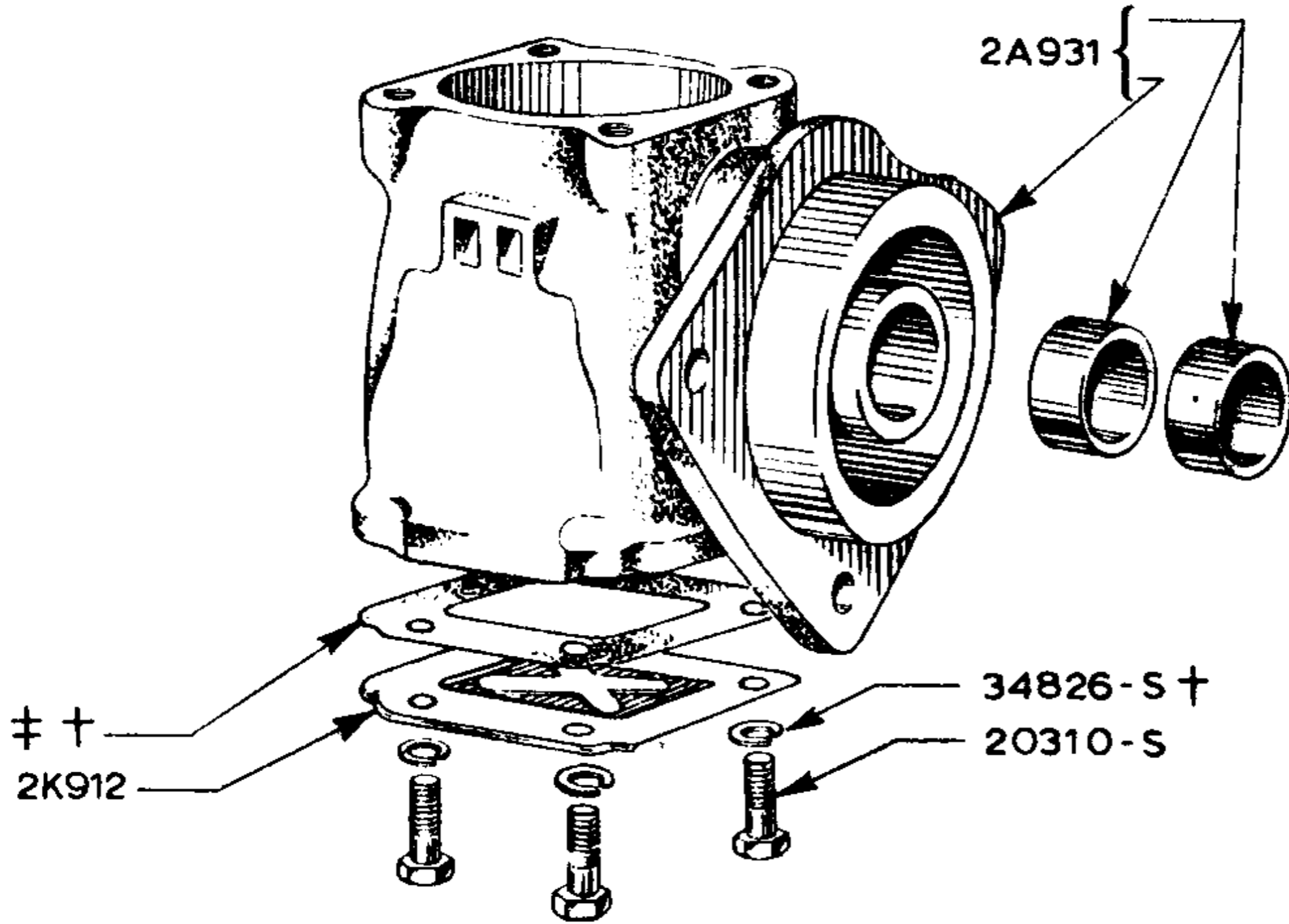
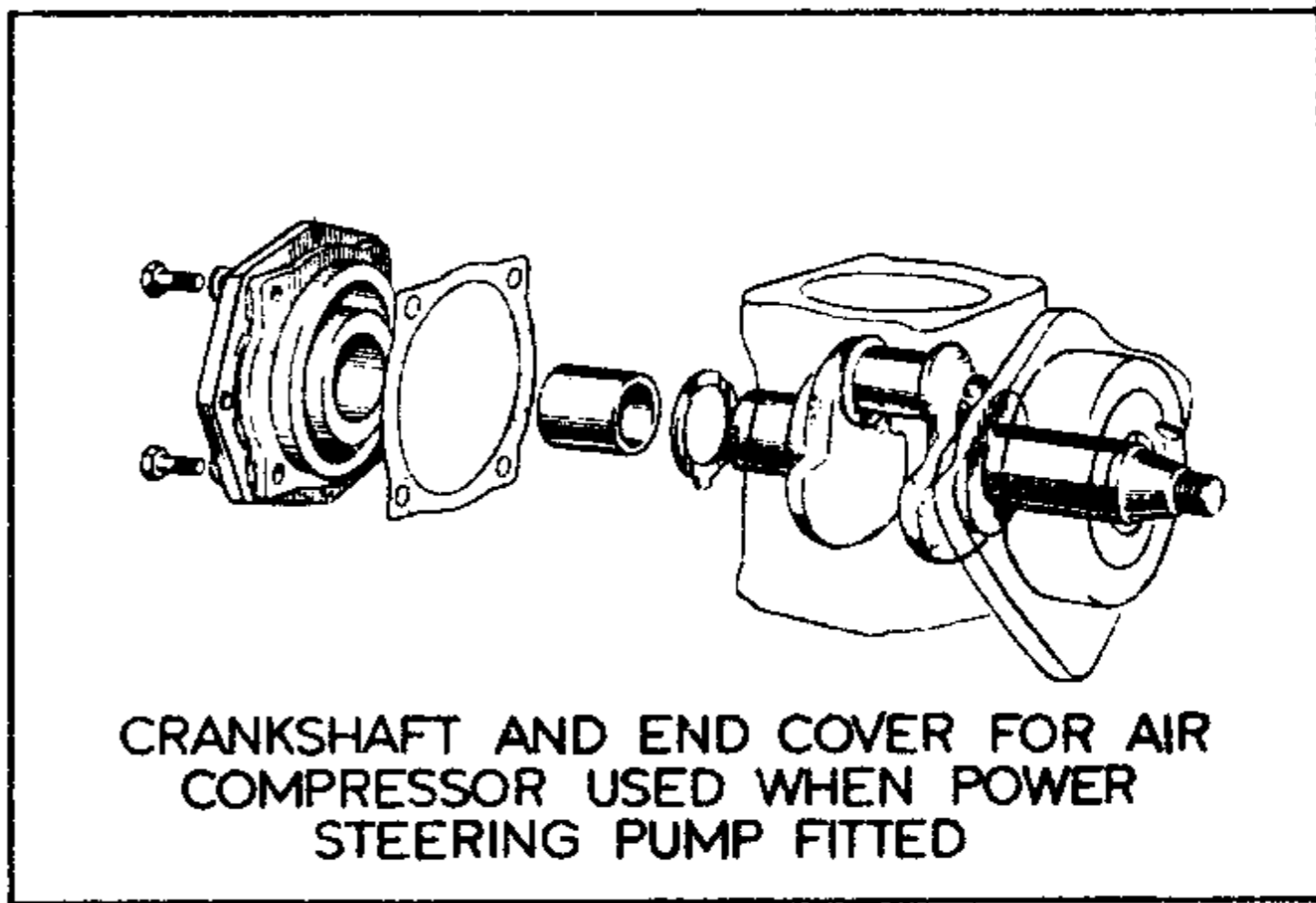
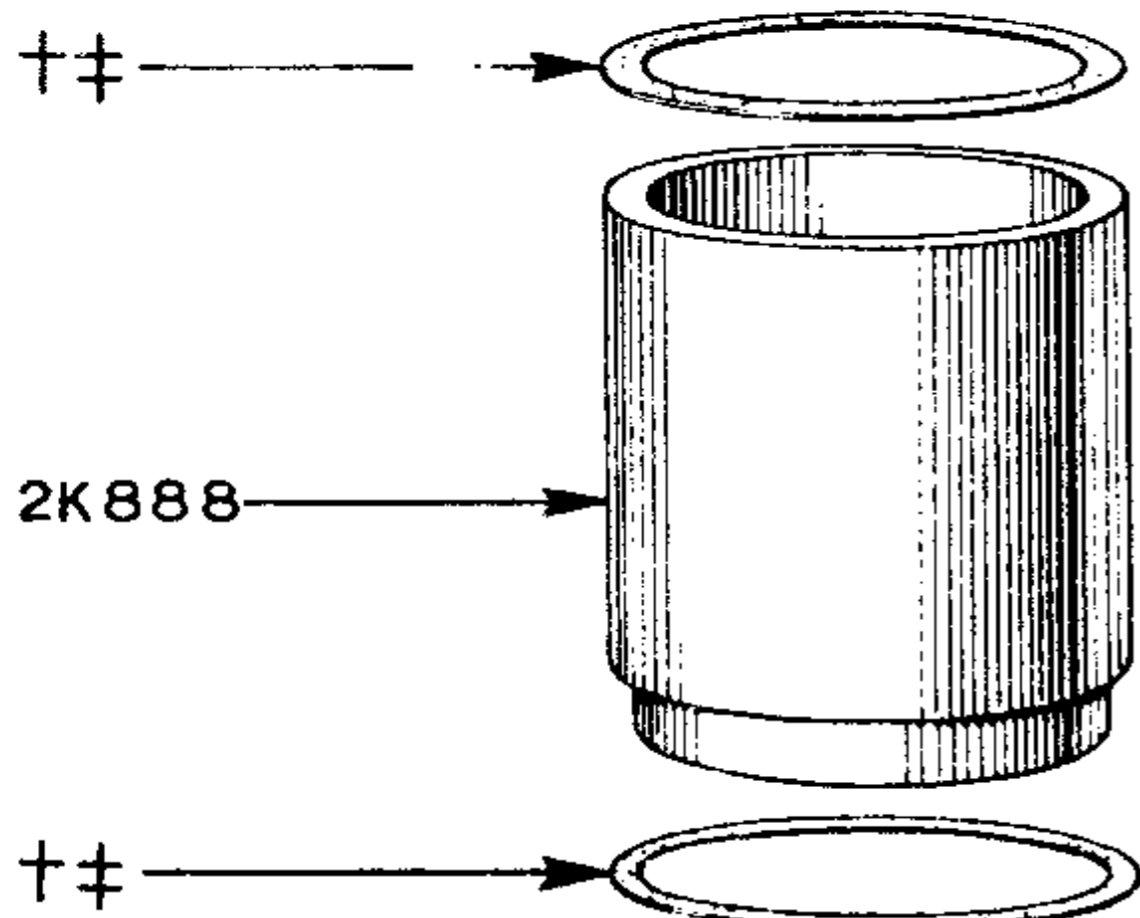
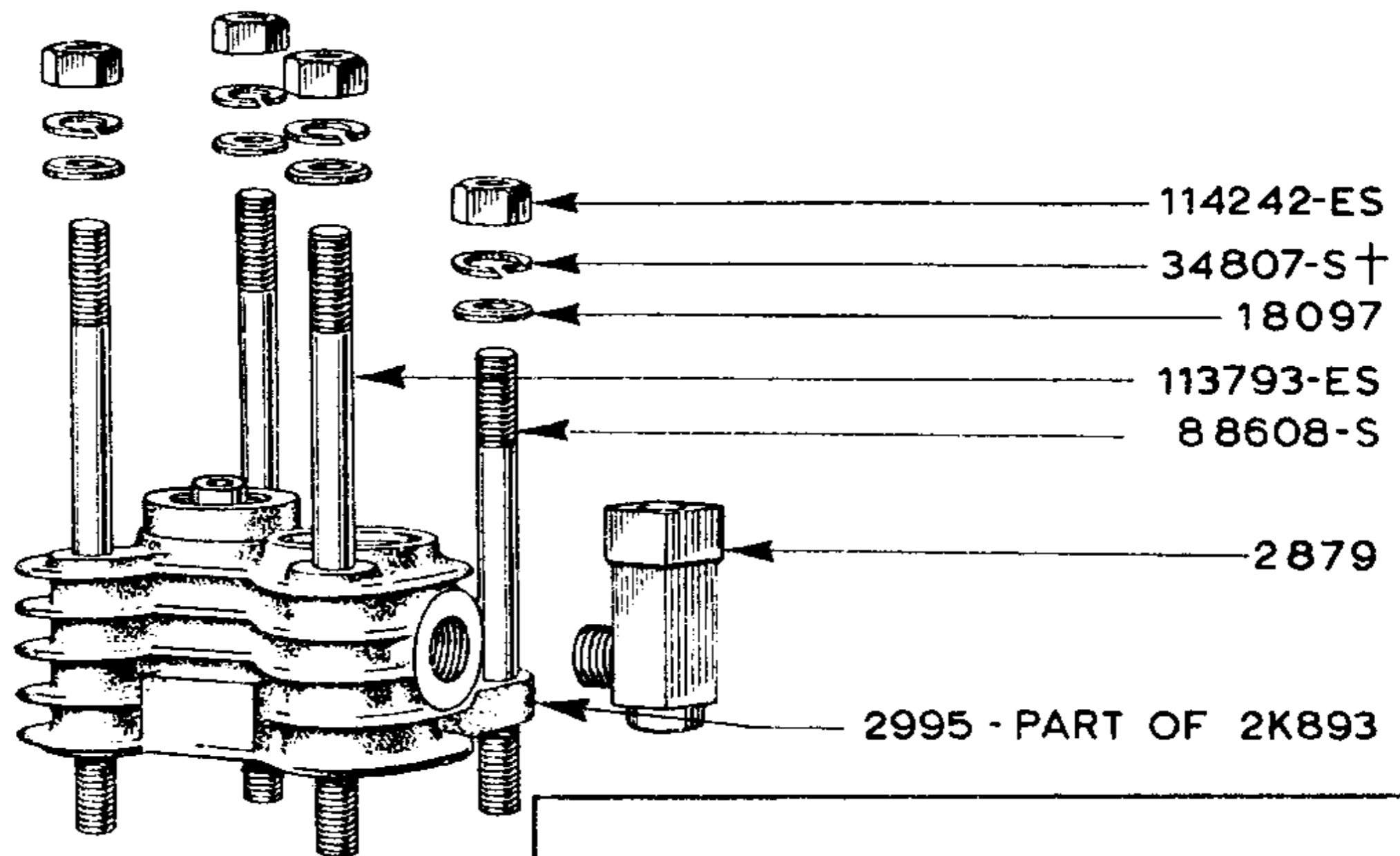


† DETAIL OF 2701E-2877-KIT-COMPRESSOR OVERHAUL

‡ DETAIL OF 2701E-2K916-KIT-COMPRESSOR GASKET

∅ DETAIL OF 2701E-2K917-KIT-COMPRESSOR PISTON RING

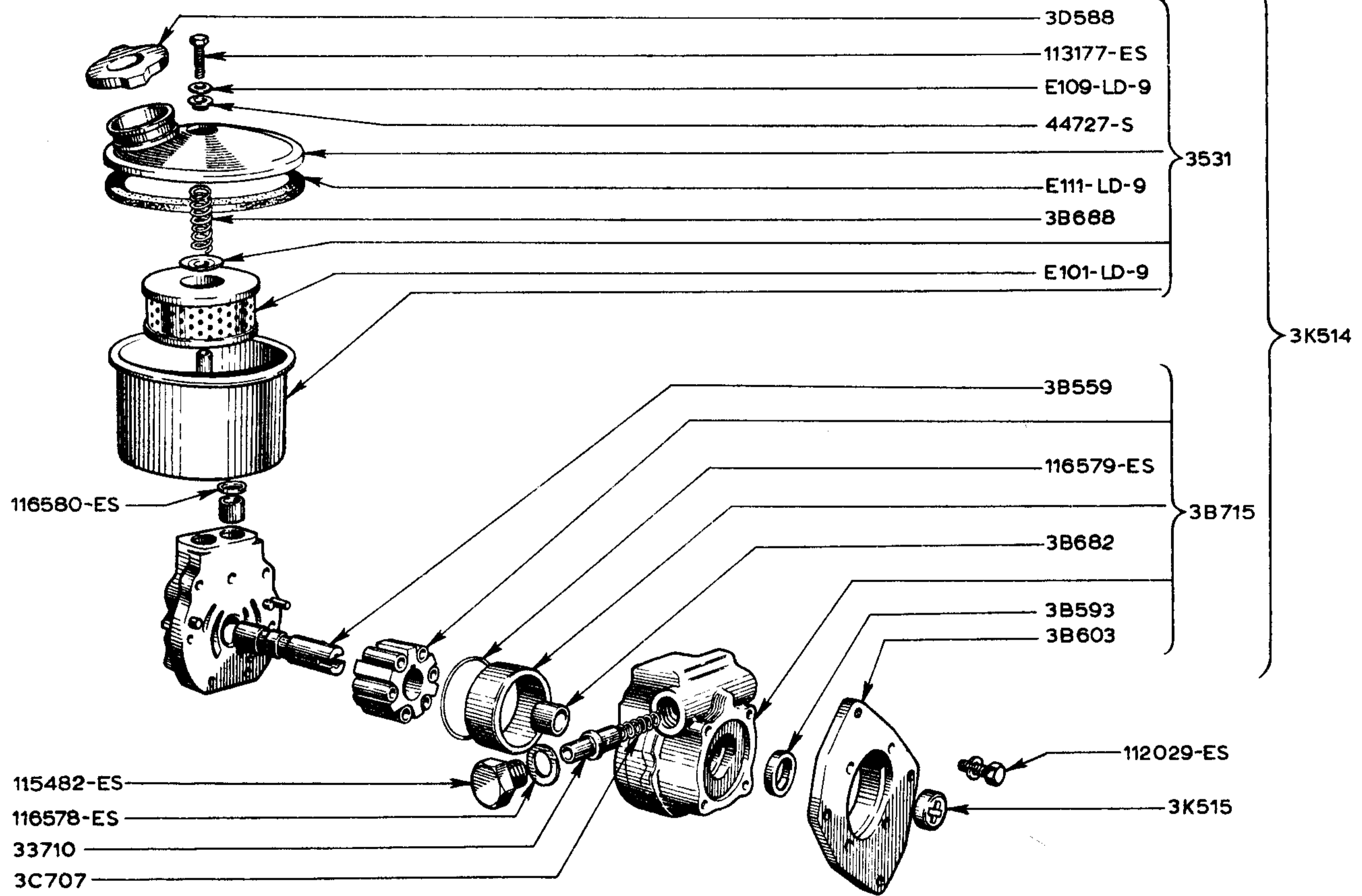
AIR COMPRESSOR DIESEL INTERIOR



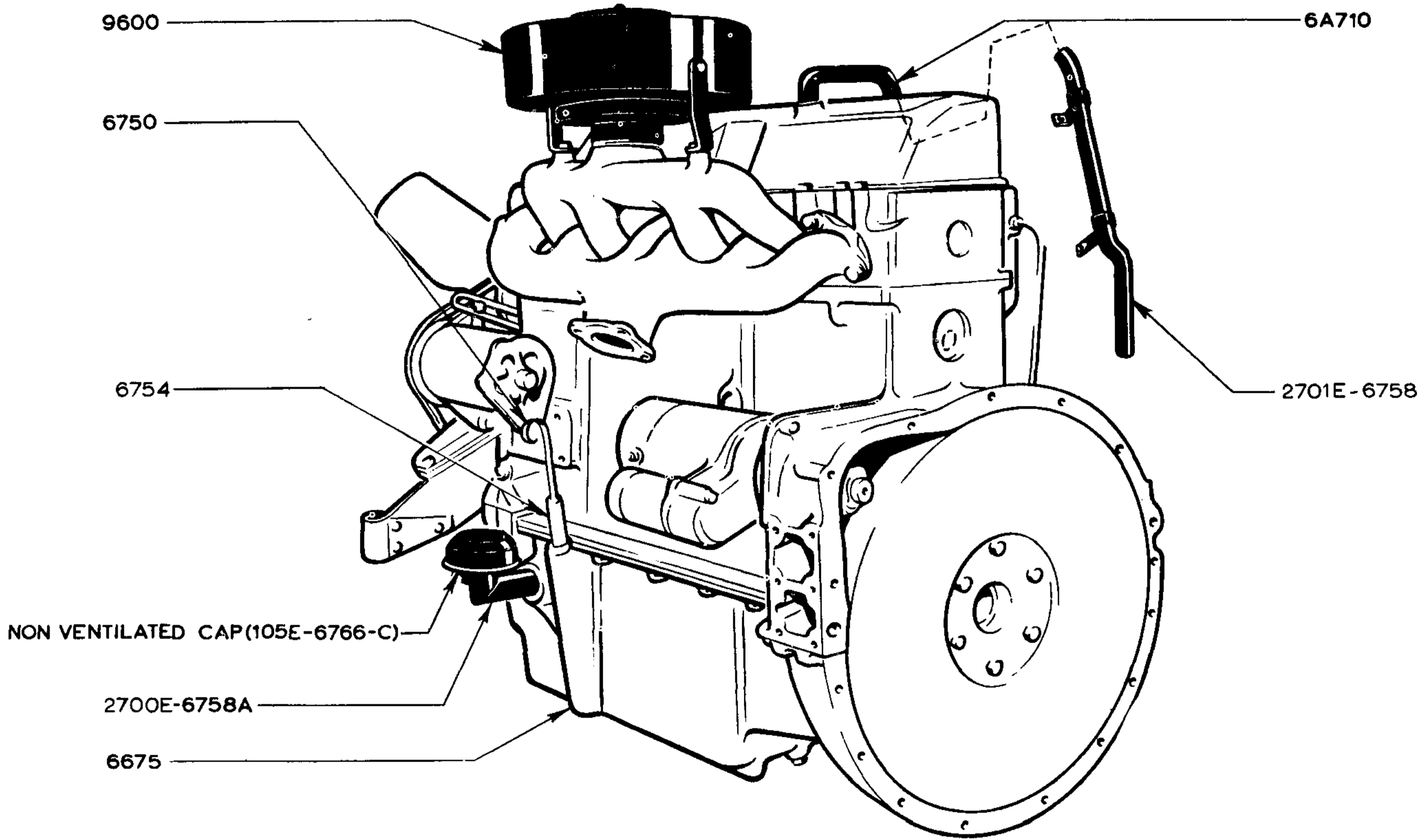
† DETAIL OF 2701E-2877-KIT-COMPRESSOR OVERHAUL

‡ DETAIL OF 2701E-2K916-KIT-COMPRESSOR GASKET

AIR COMPRESSOR DIESEL EXTERIOR



POWER STEERING PUMP AND RESERVOIR



INDUSTRIAL BREATHING LAYOUT



6A710  
E62-CG-5  
E63-CG-5

31081-S

97331-S

2701E-6766-C/D

6449

6584

8250

8575

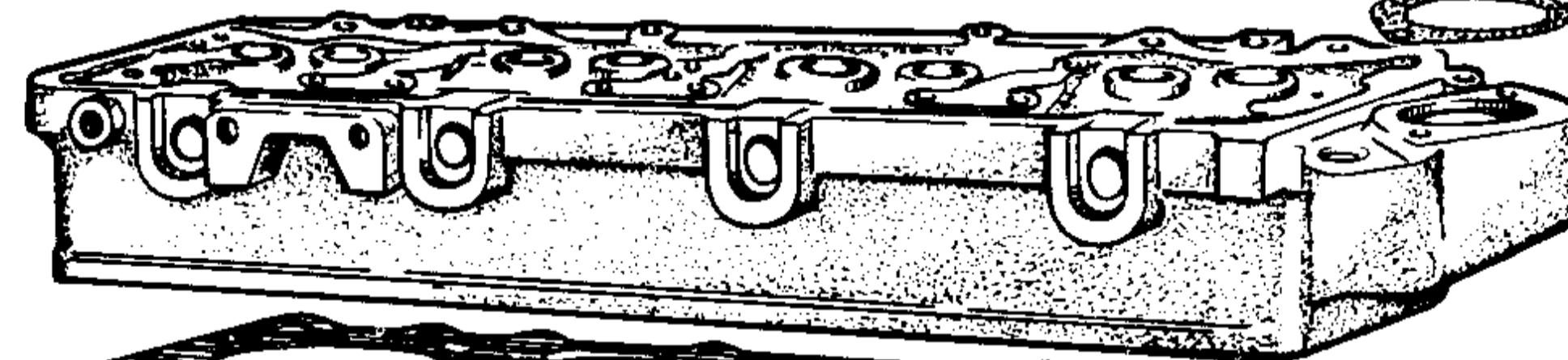
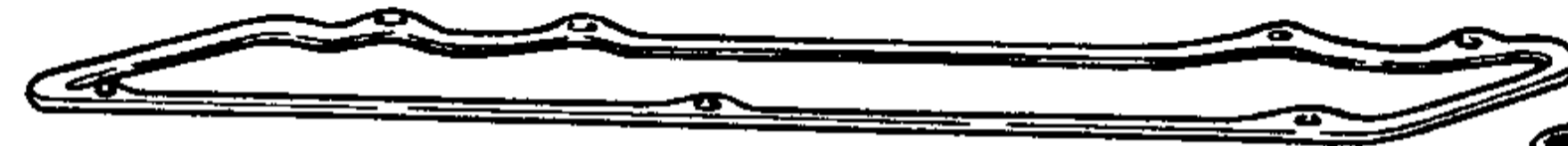
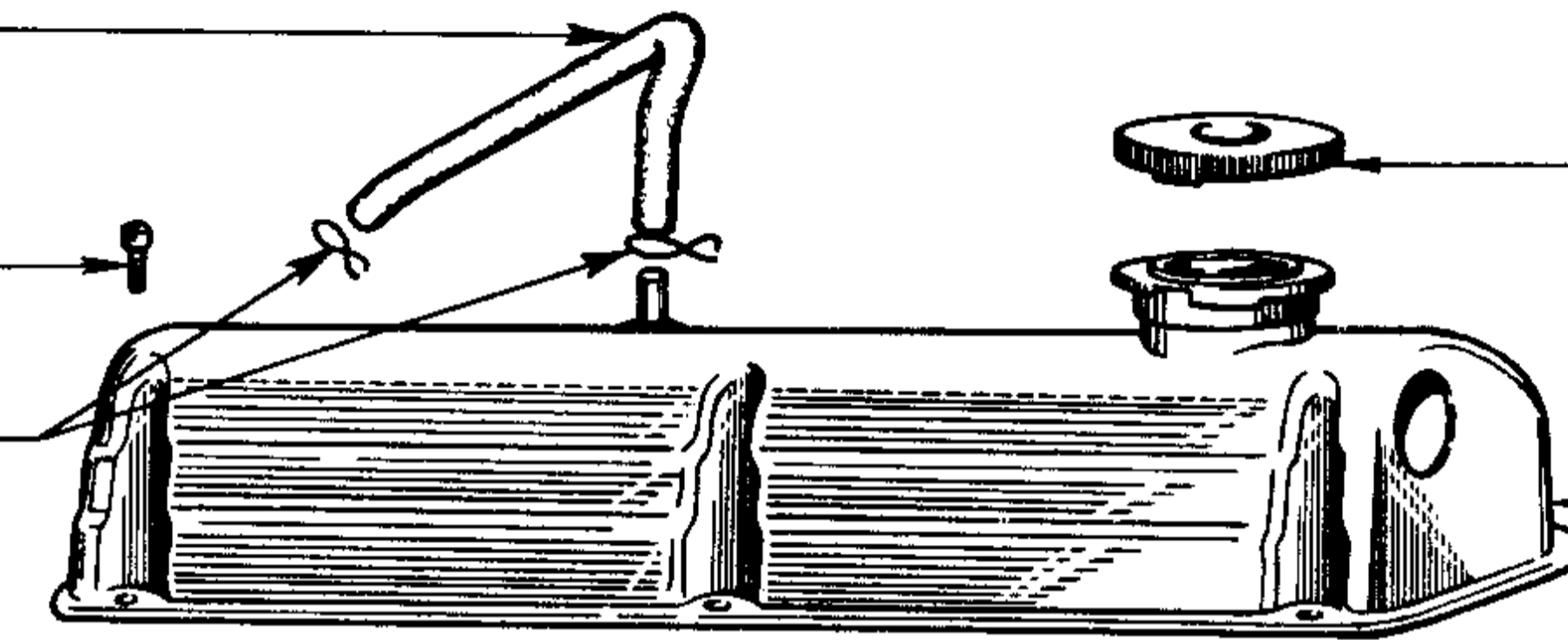
8587

6052

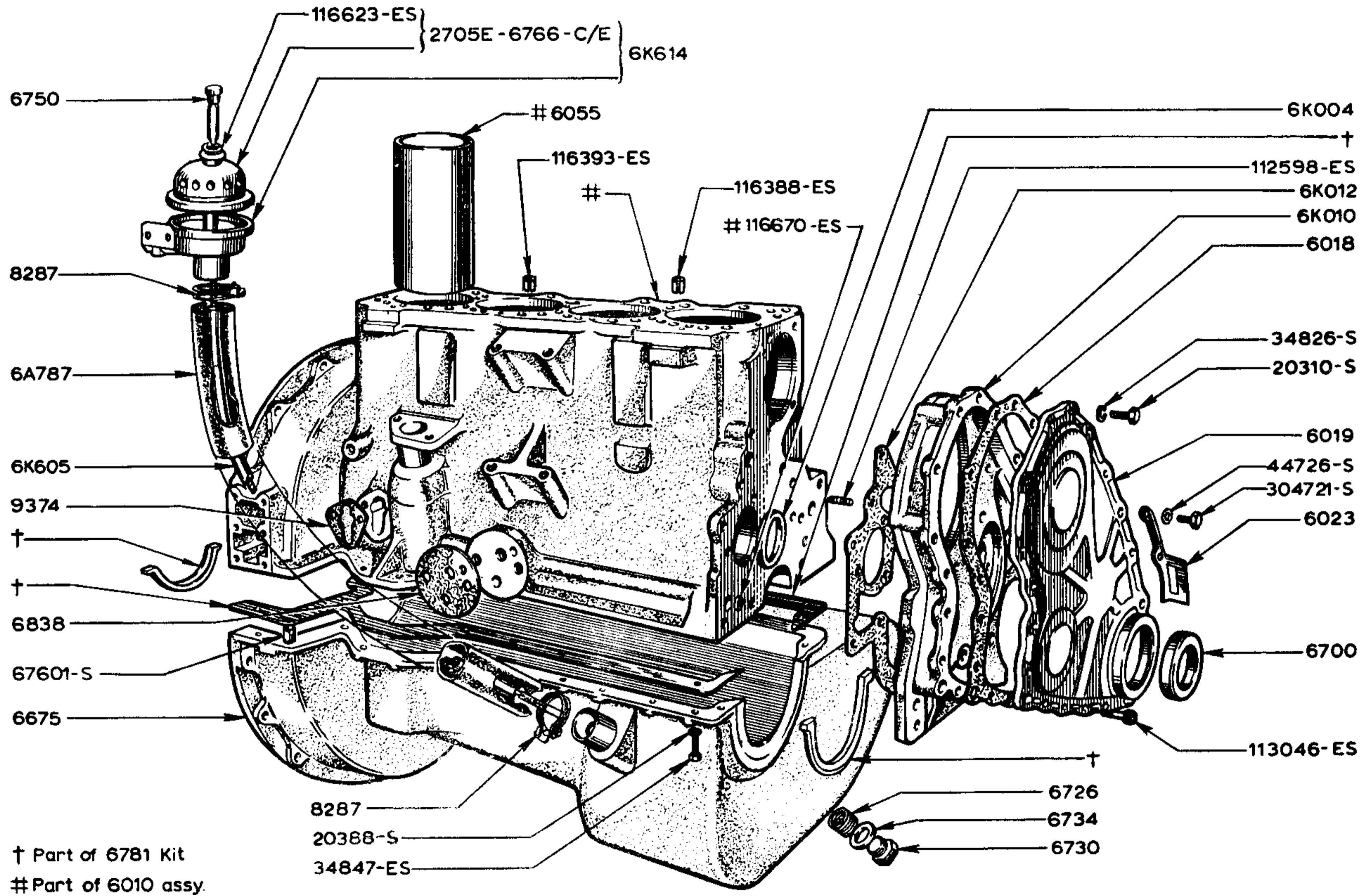
6051

6067

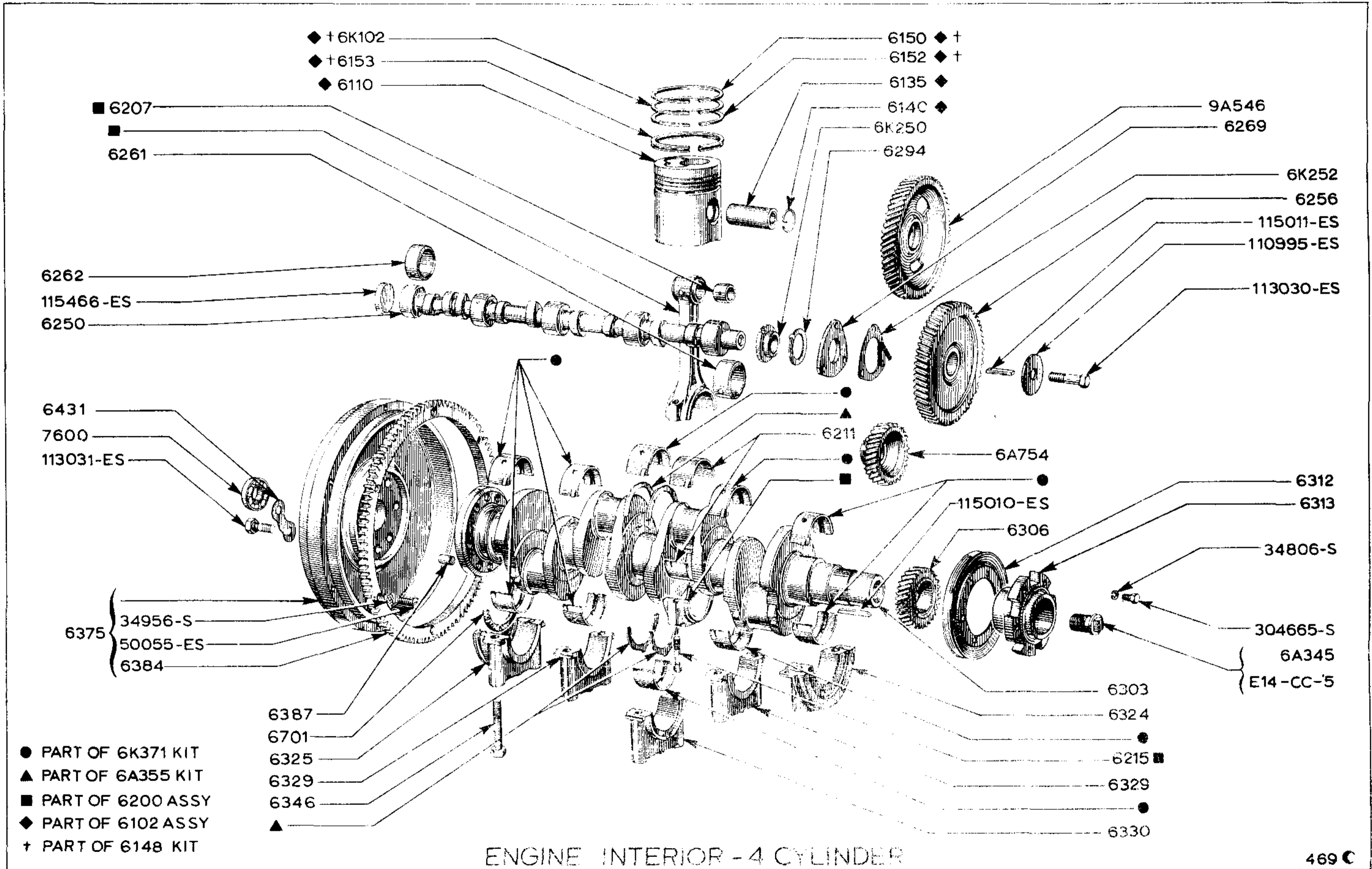
20386-S  
304760-S  
300898-S  
34847-ES  
34806-S



CYLINDER HEAD - 4 CYLINDER HEAD AUTOMOTIVE BREATHING

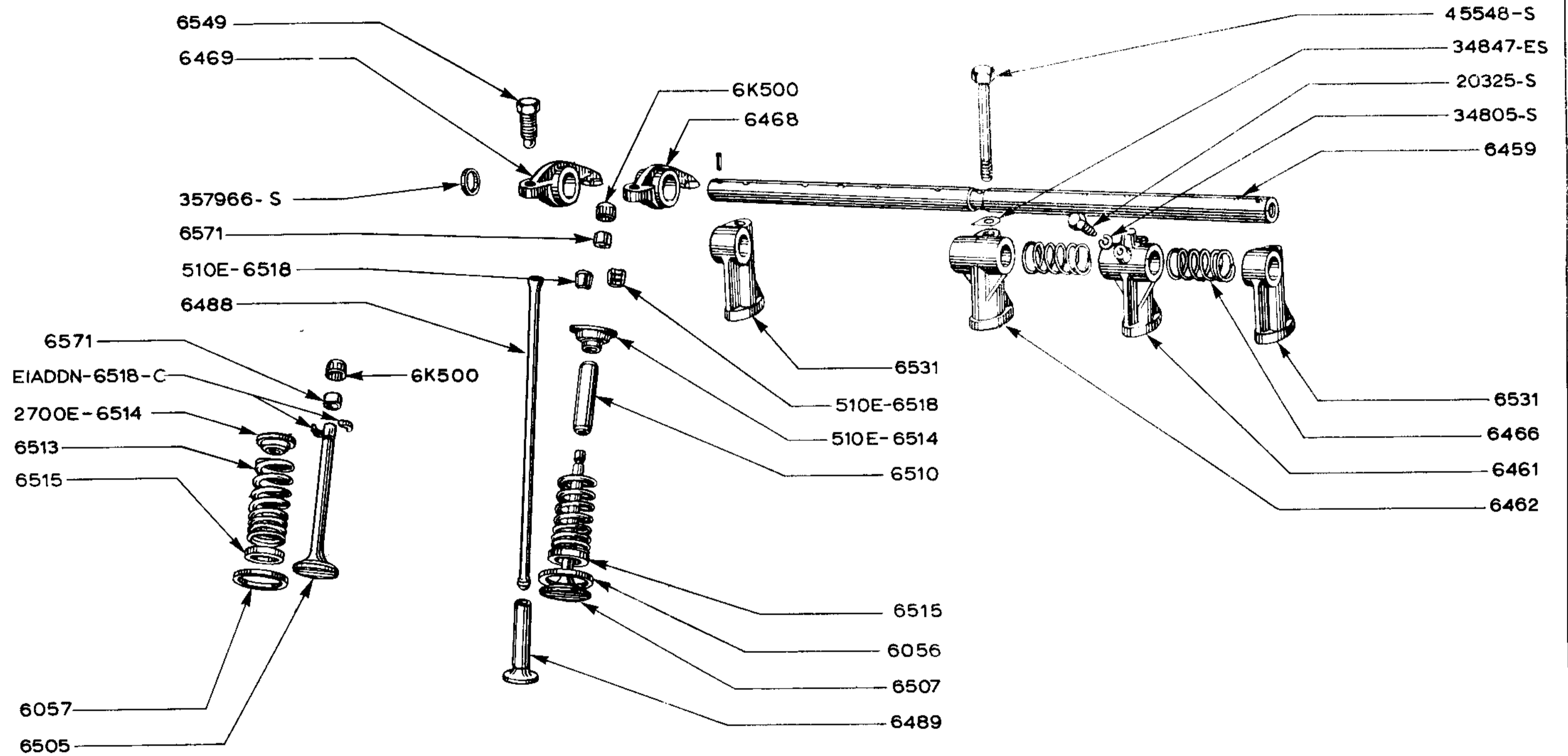


ENGINE EXTERIOR -4 CYLINDER AUTOMOTIVE BREATHING



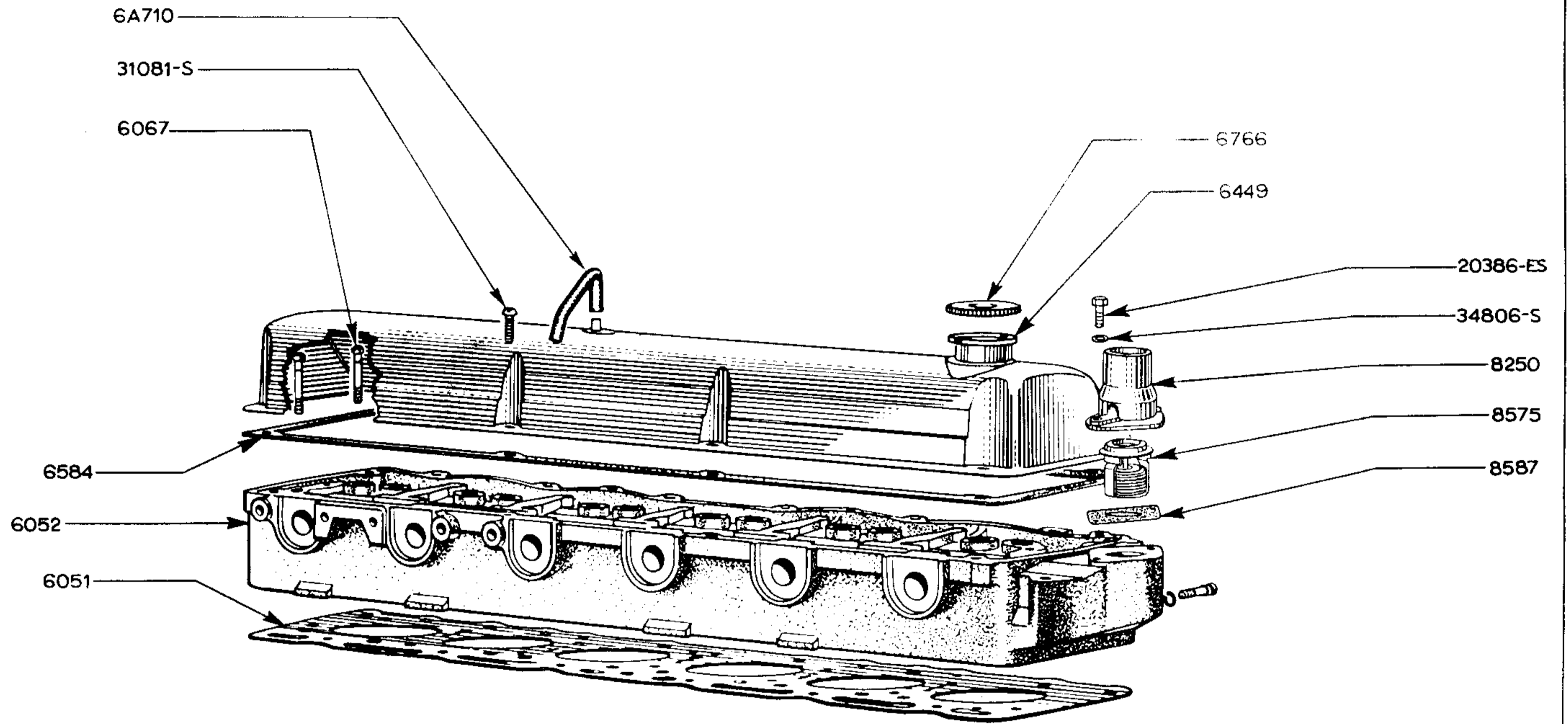
ENGINE INTERIOR - 4 CYLINDER





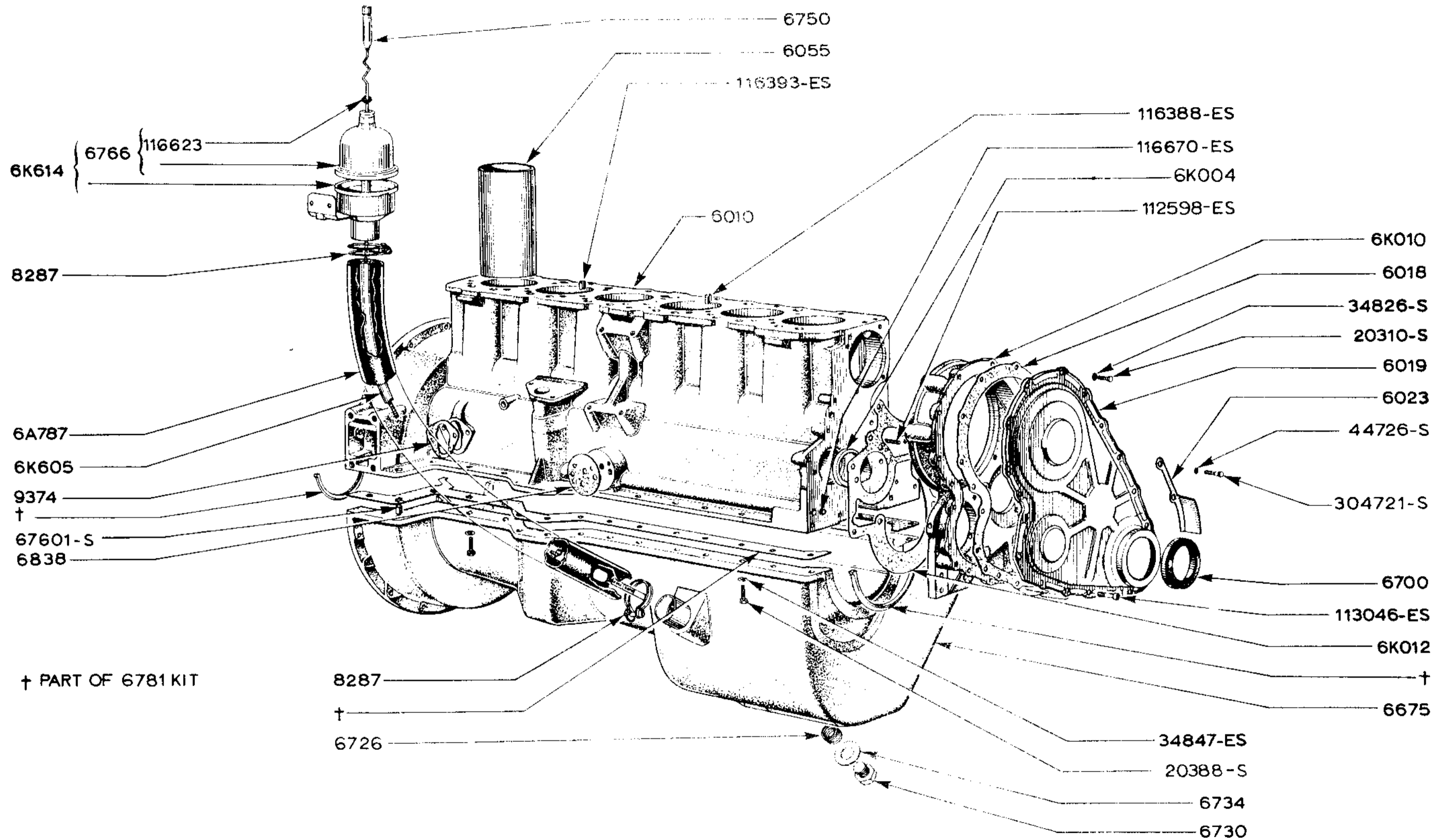
VALVE OPERATING MECHANISM-4 CYLINDER



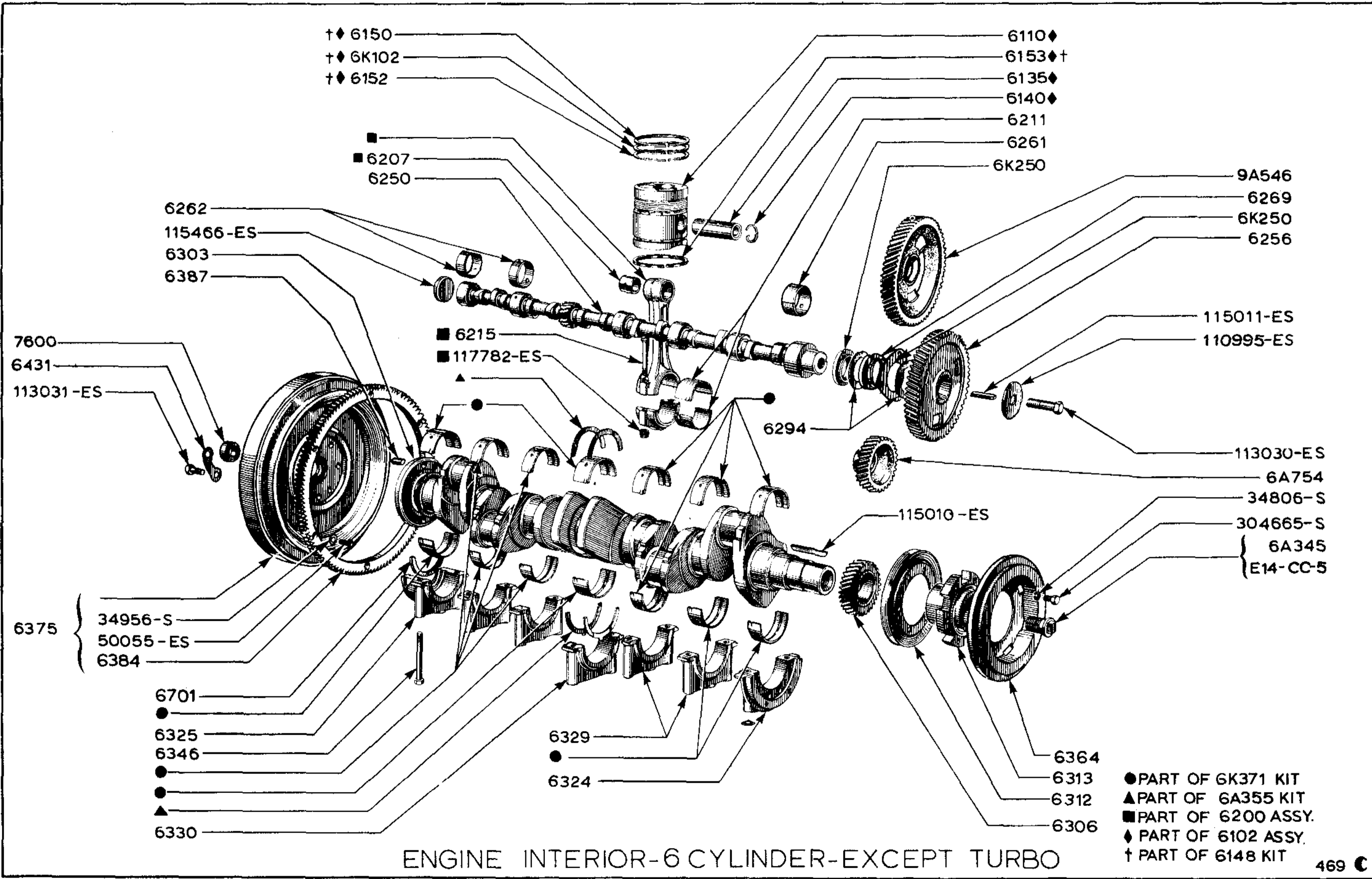


CYLINDER HEAD-6 CYLINDER



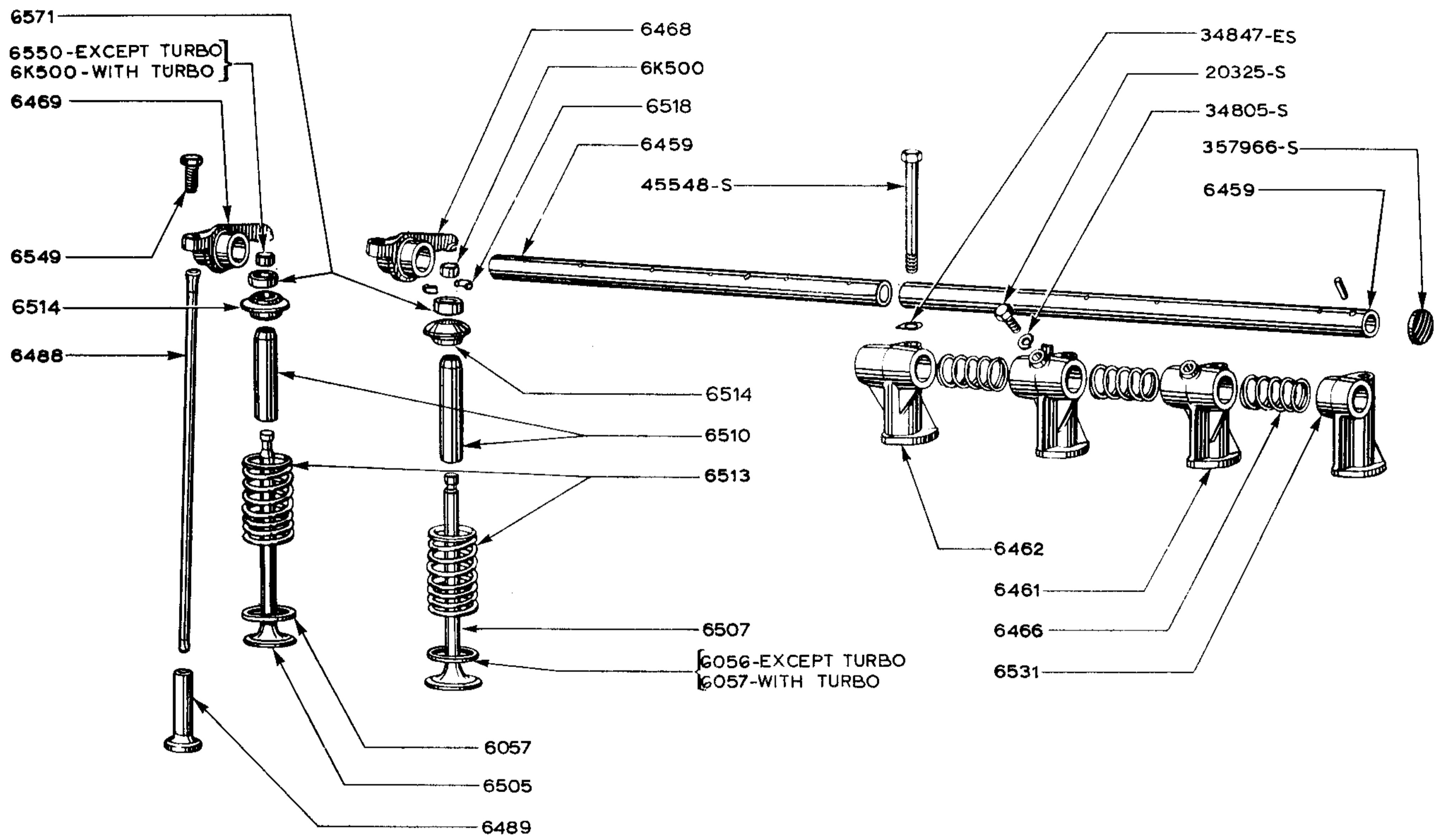


ENGINE EXTERIOR - 6 CYLINDER AUTOMOTIVE BREATHING-EXCEPT TURBO



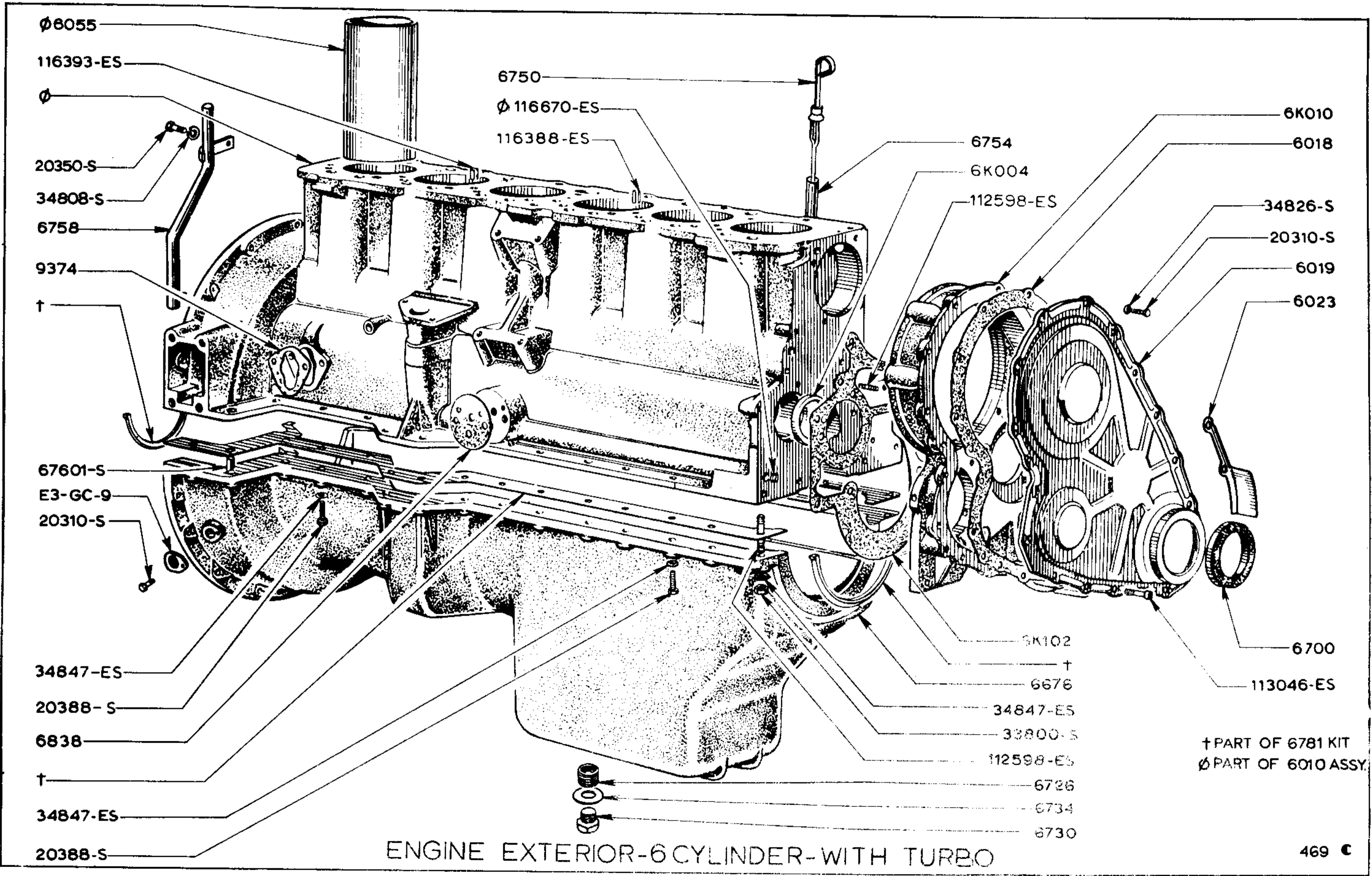
● PART OF GK371 KIT  
 ▲ PART OF 6A355 KIT  
 ■ PART OF 6200 ASSY.  
 ◆ PART OF 6102 ASSY.  
 † PART OF 6148 KIT

ENGINE INTERIOR-6 CYLINDER-EXCEPT TURBO

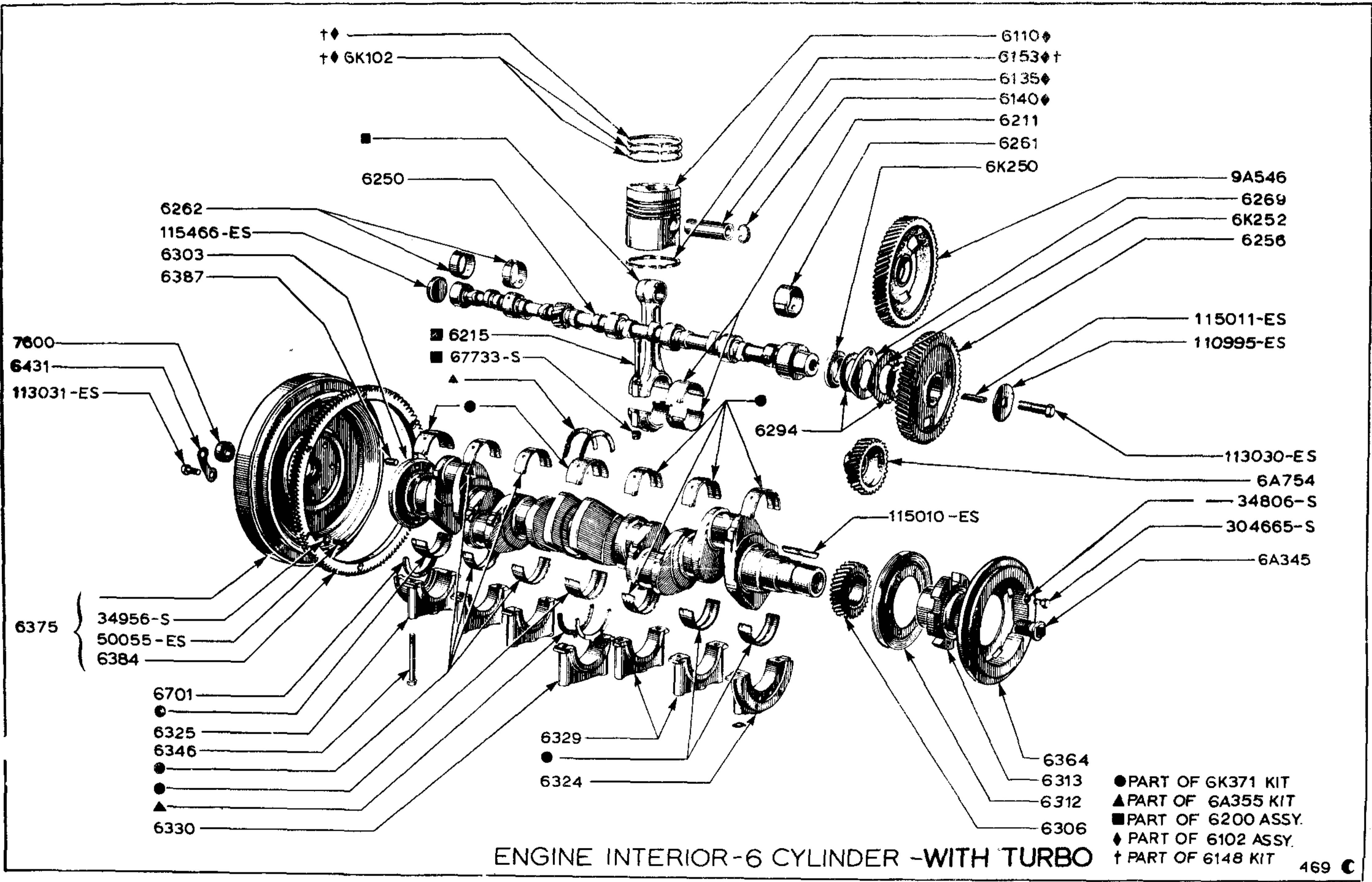


VALVE OPERATING MECHANISM - 6 CYLINDER

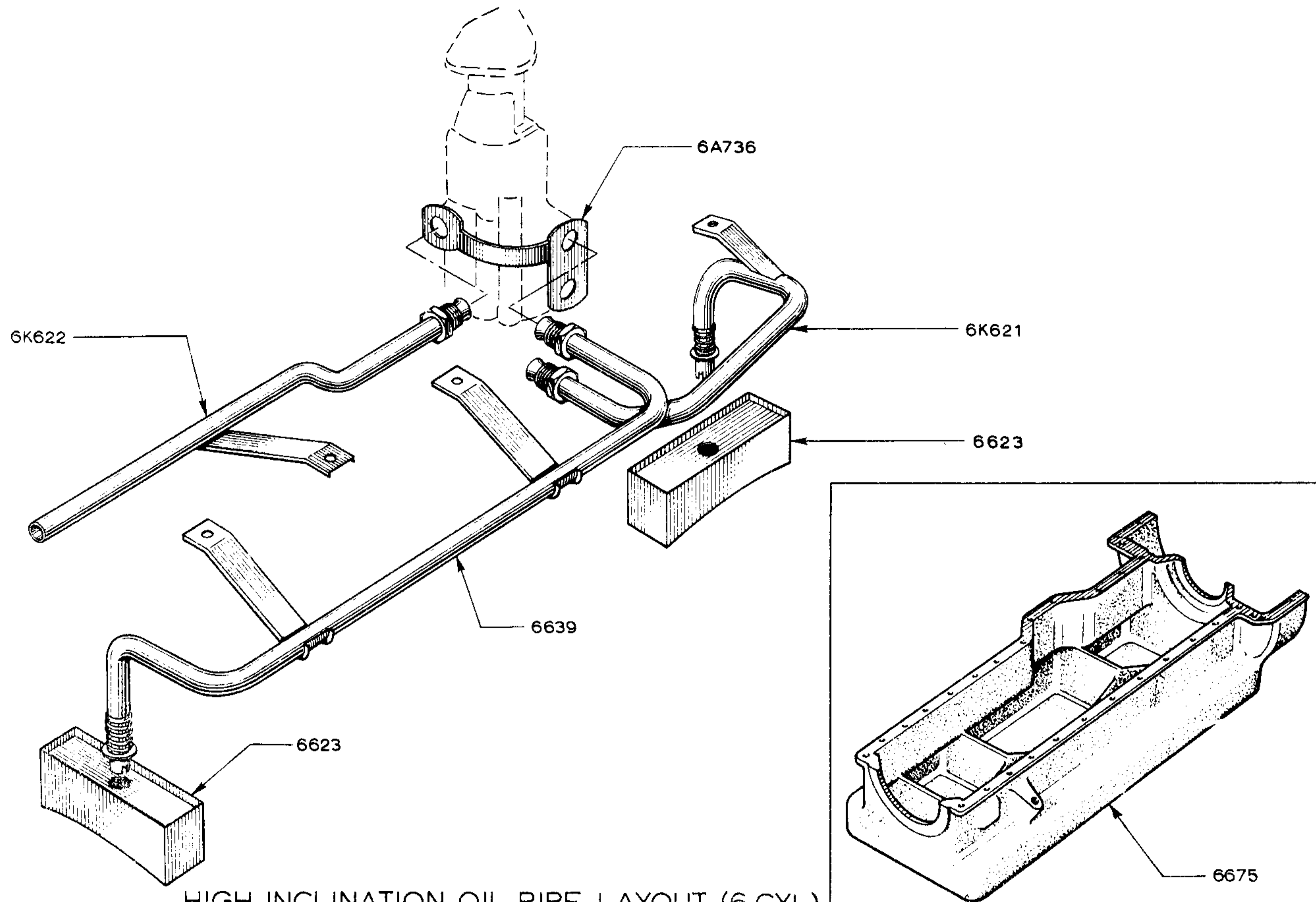




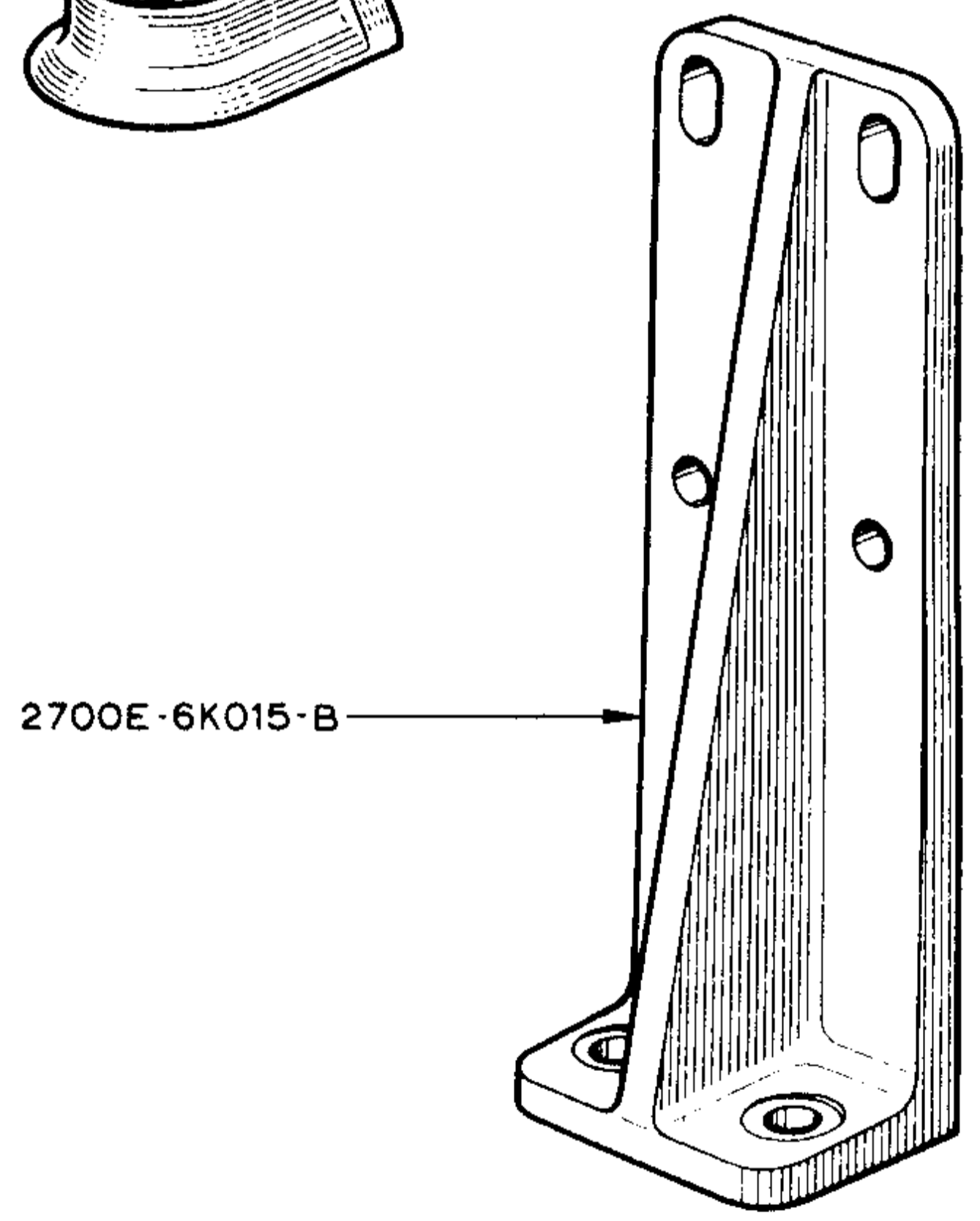
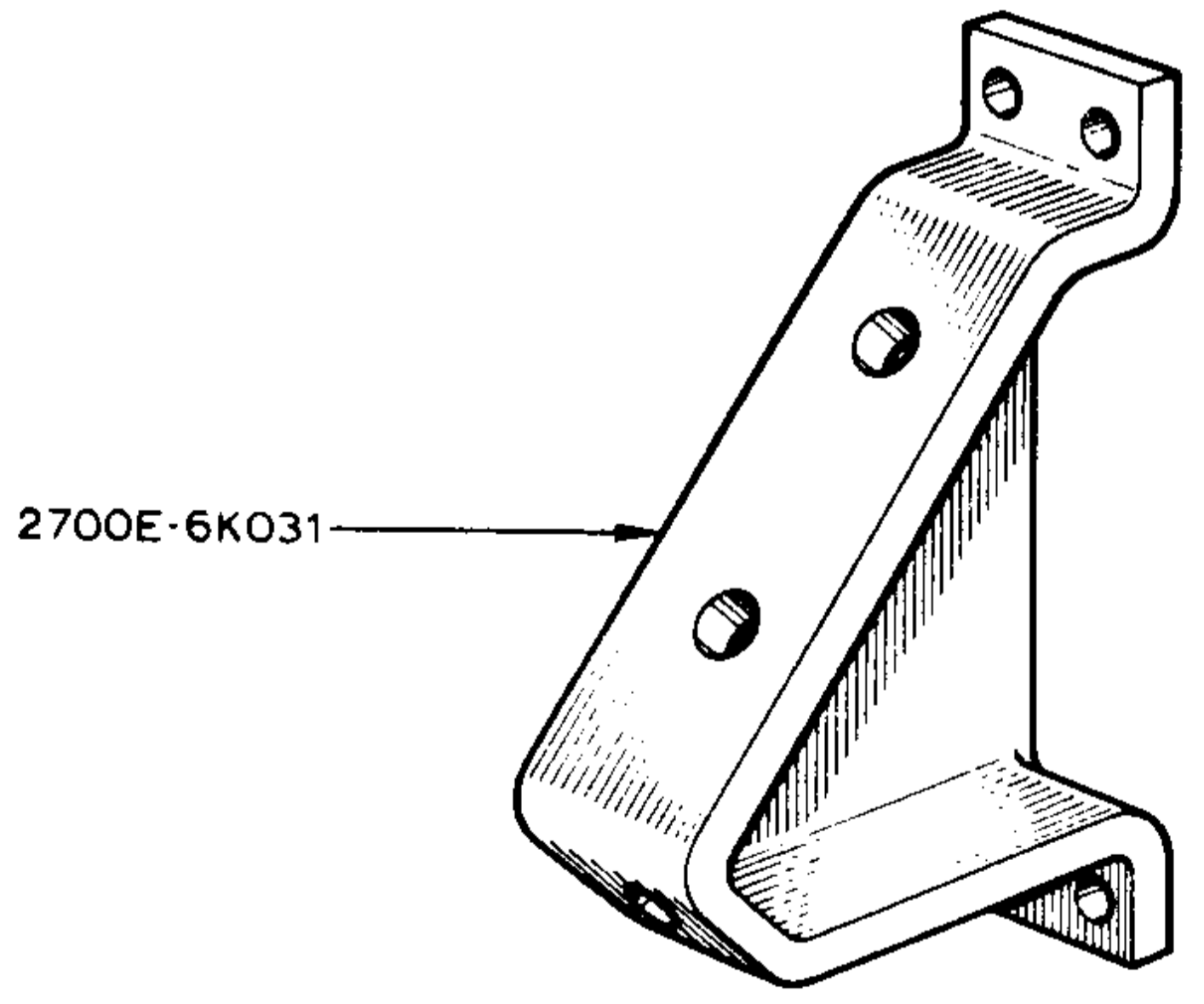
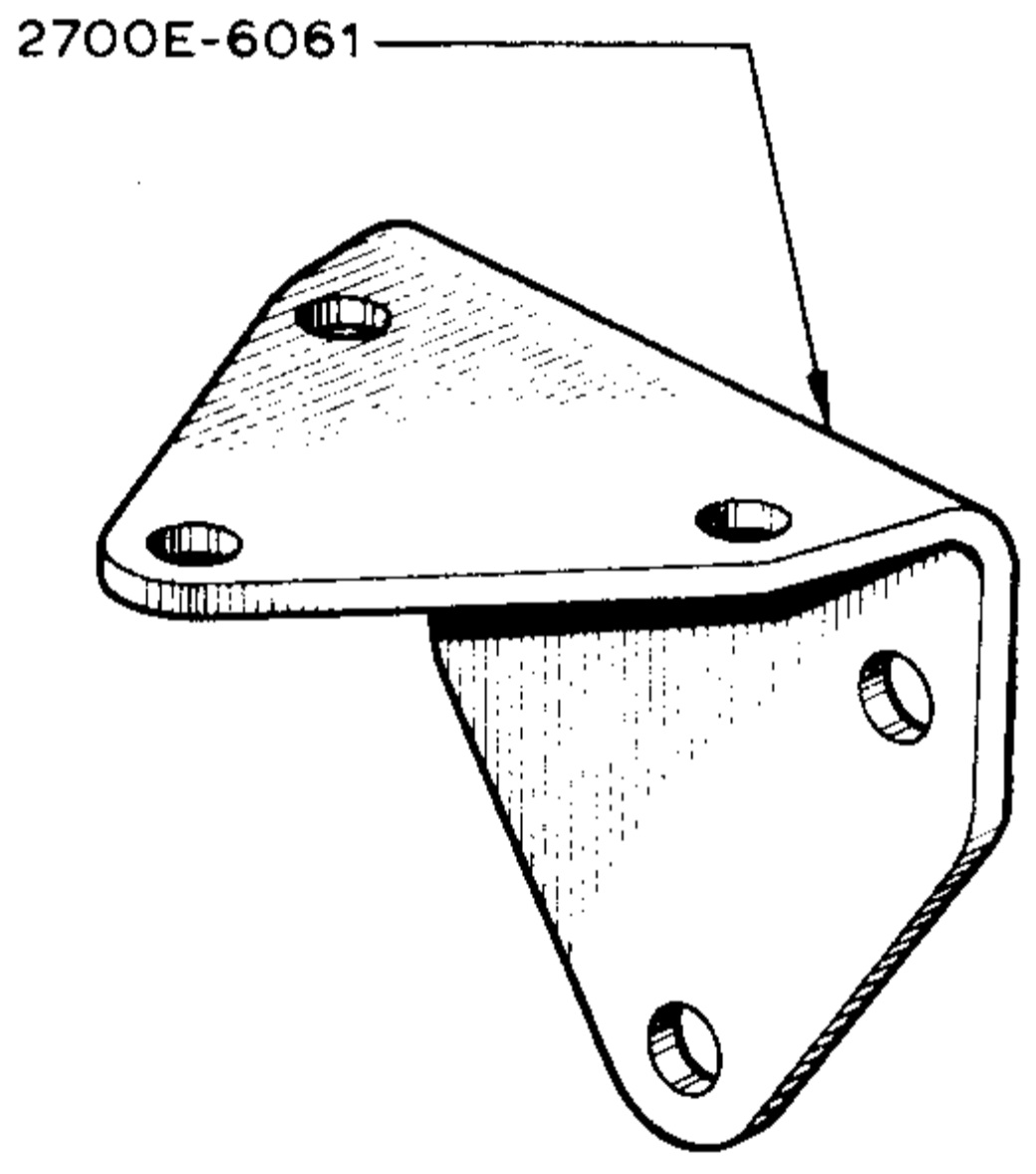
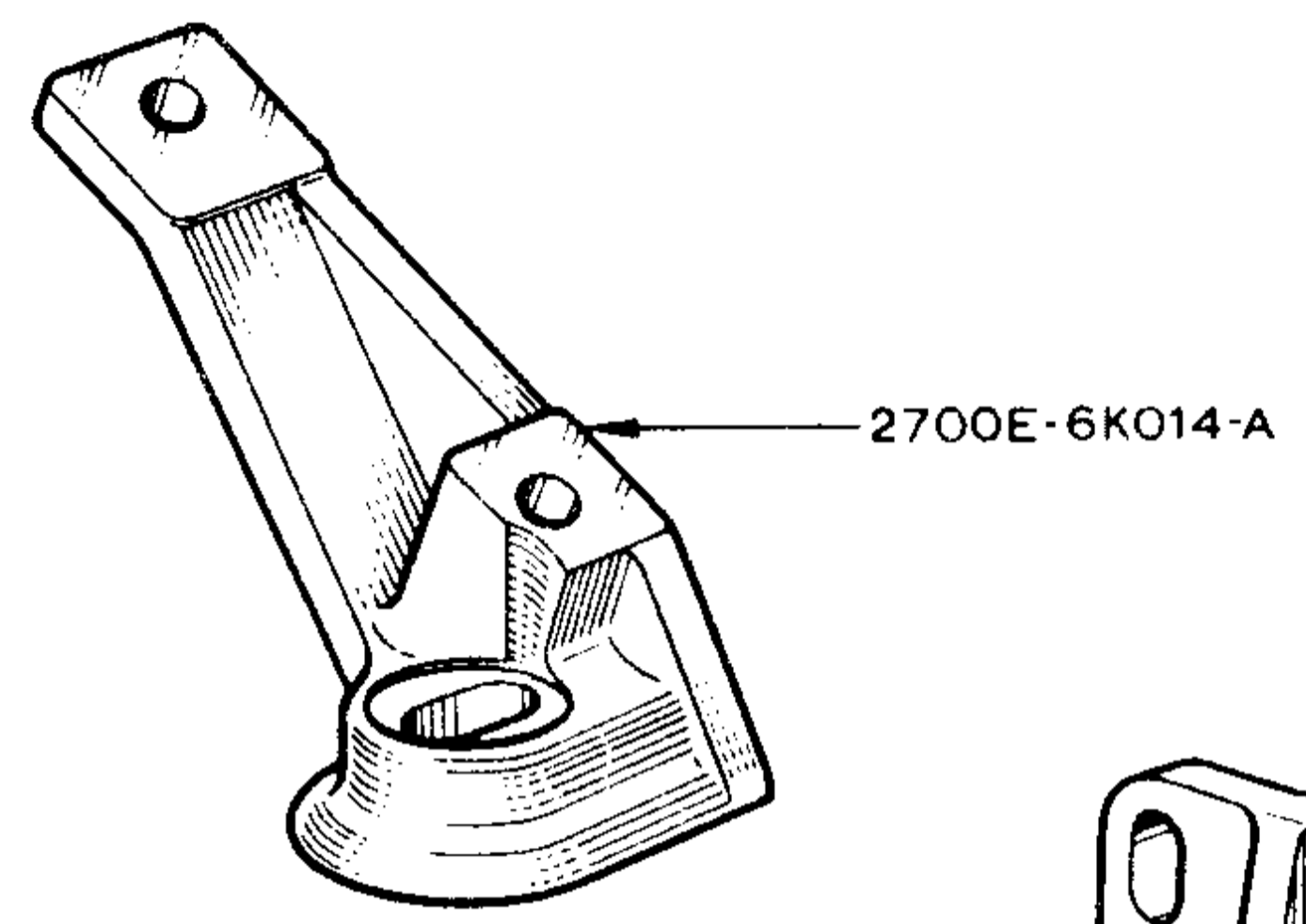
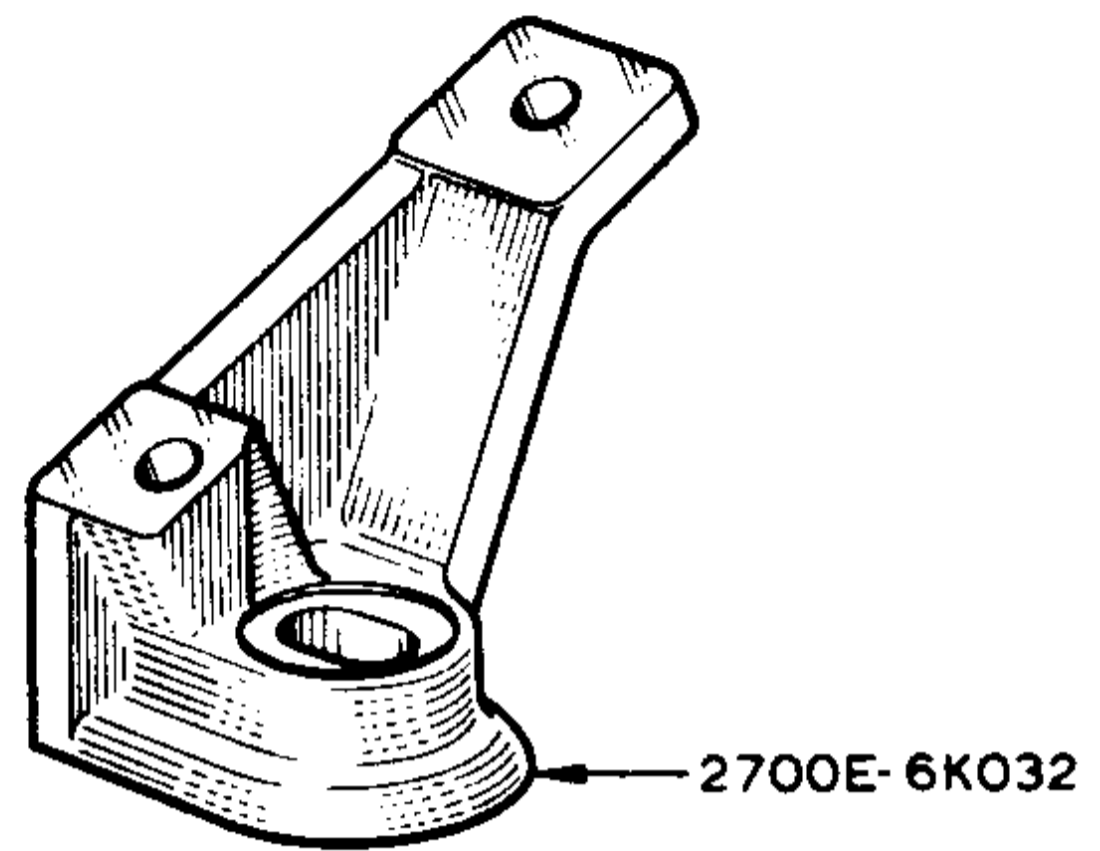
ENGINE EXTERIOR-6 CYLINDER-WITH TURBO



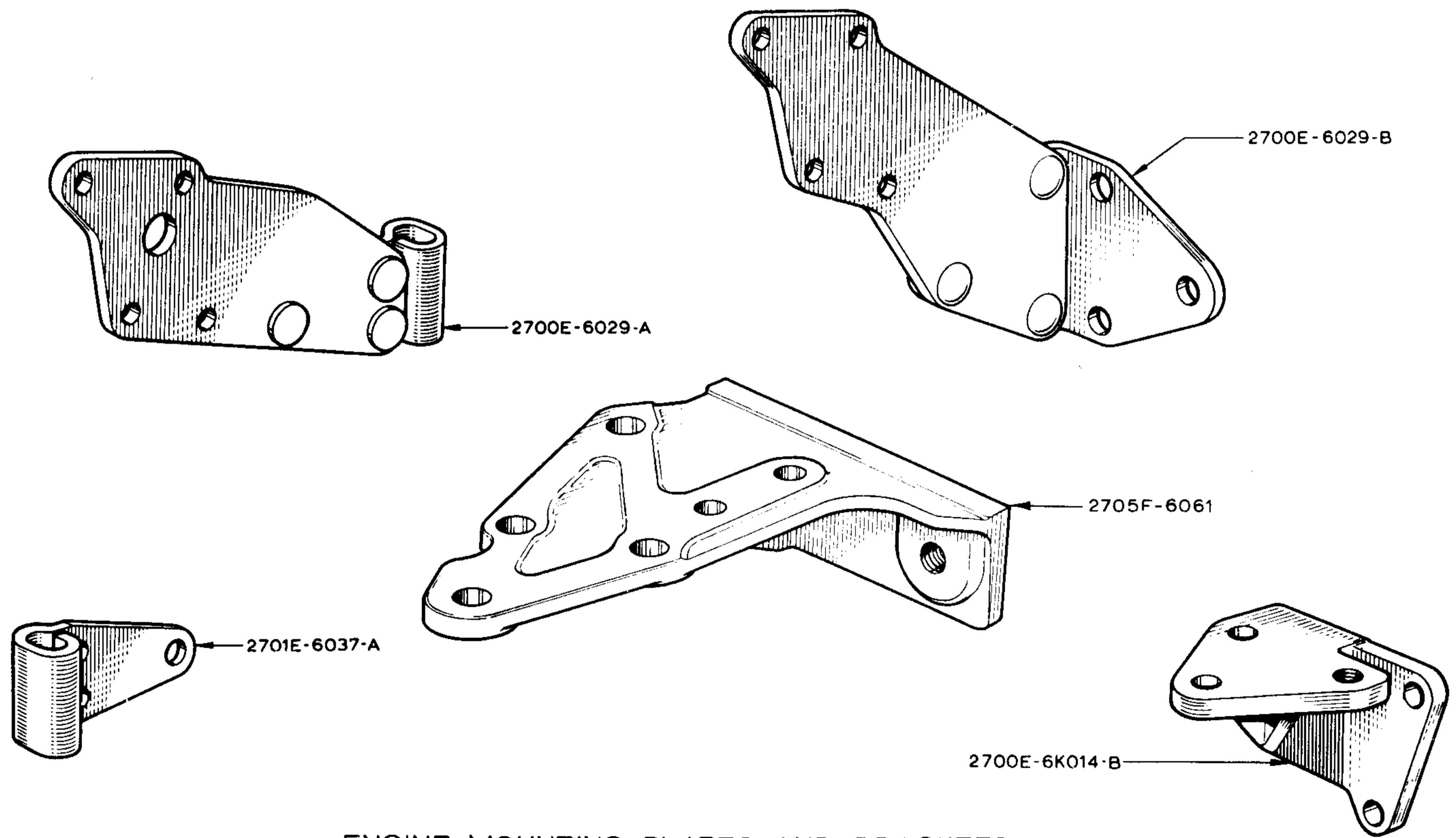
ENGINE INTERIOR-6 CYLINDER -WITH TURBO



HIGH INCLINATION OIL PIPE LAYOUT (6 CYL)

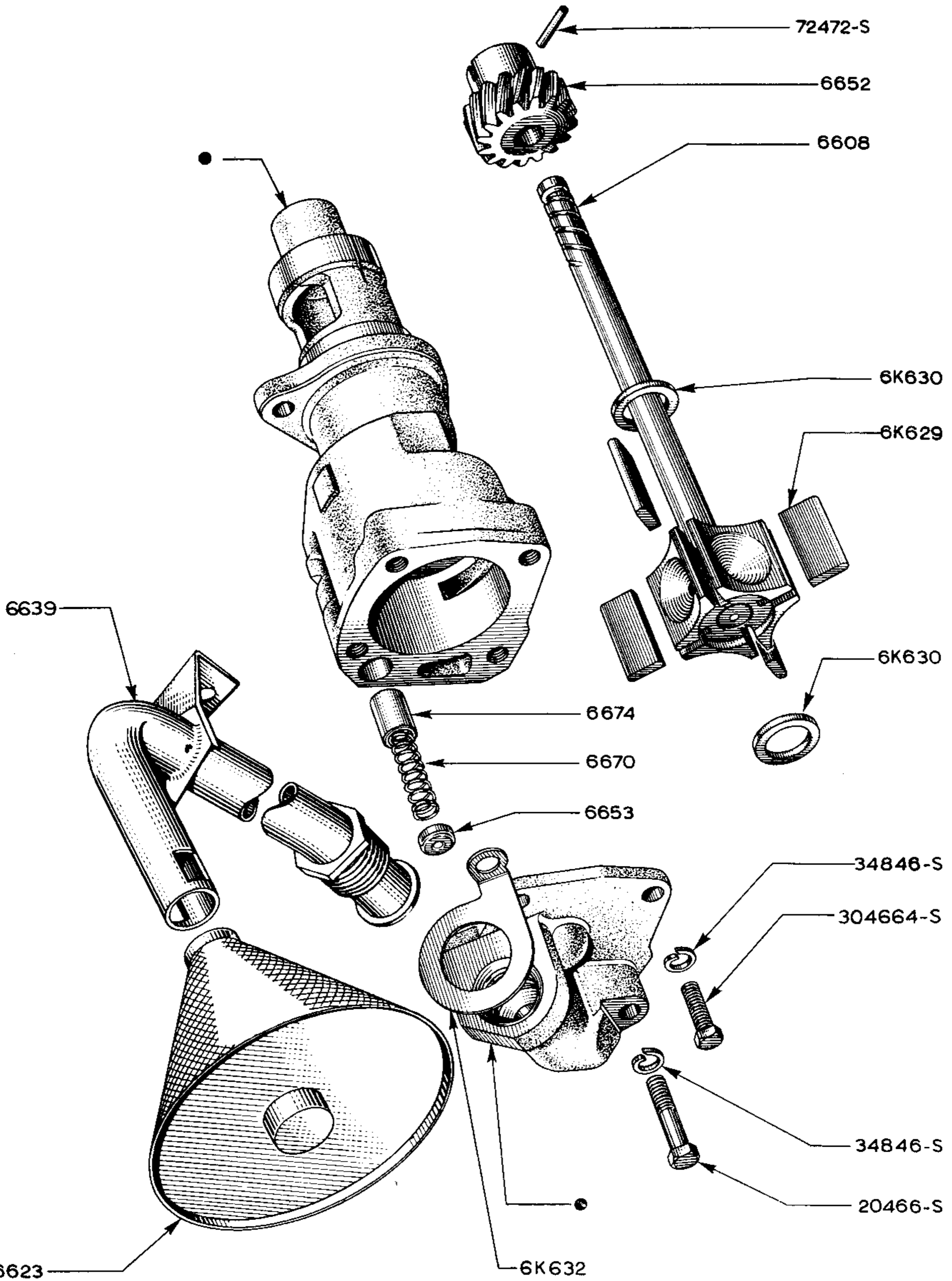


ENGINE MOUNTING PLATES AND BRACKETS



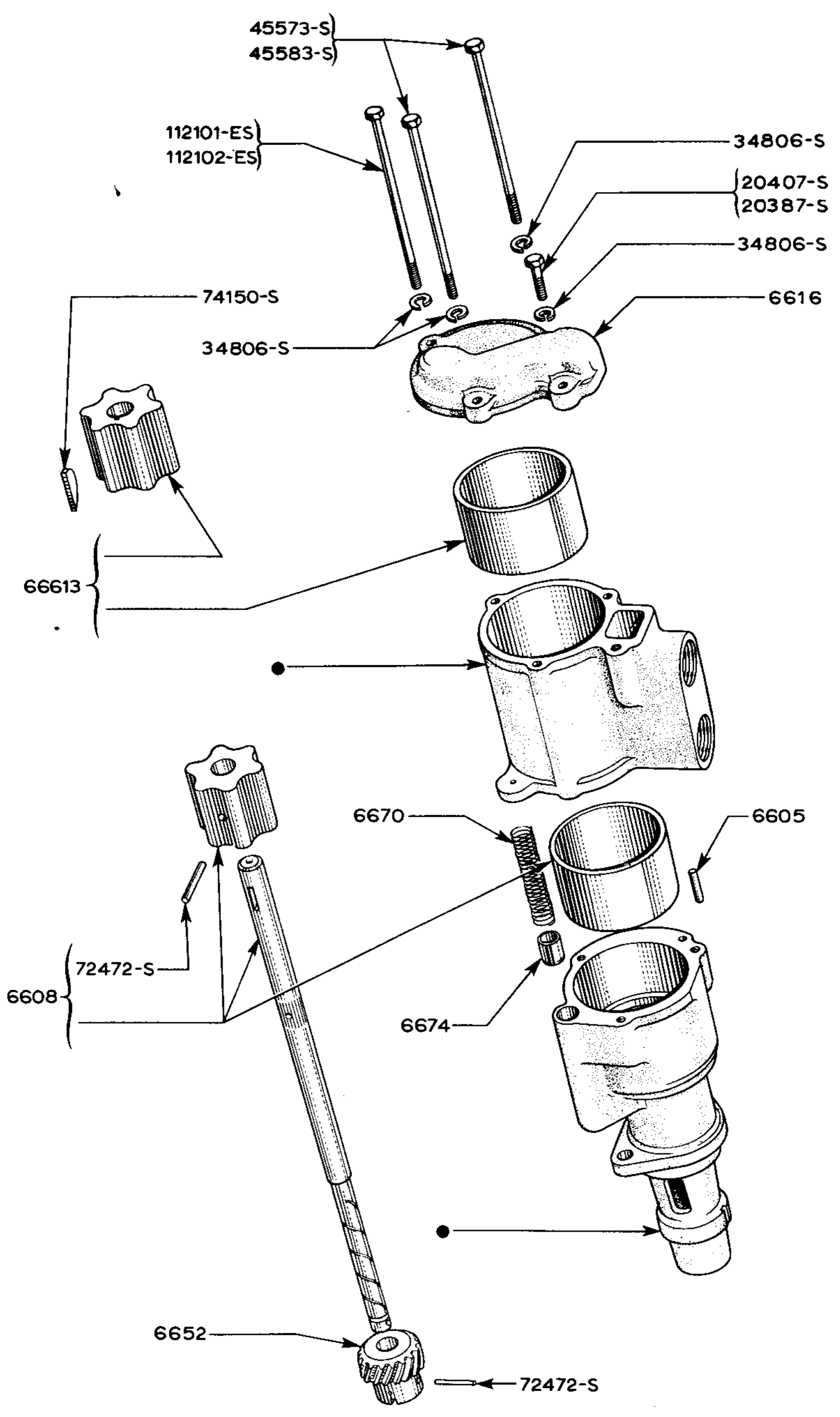
ENGINE MOUNTING PLATES AND BRACKETS





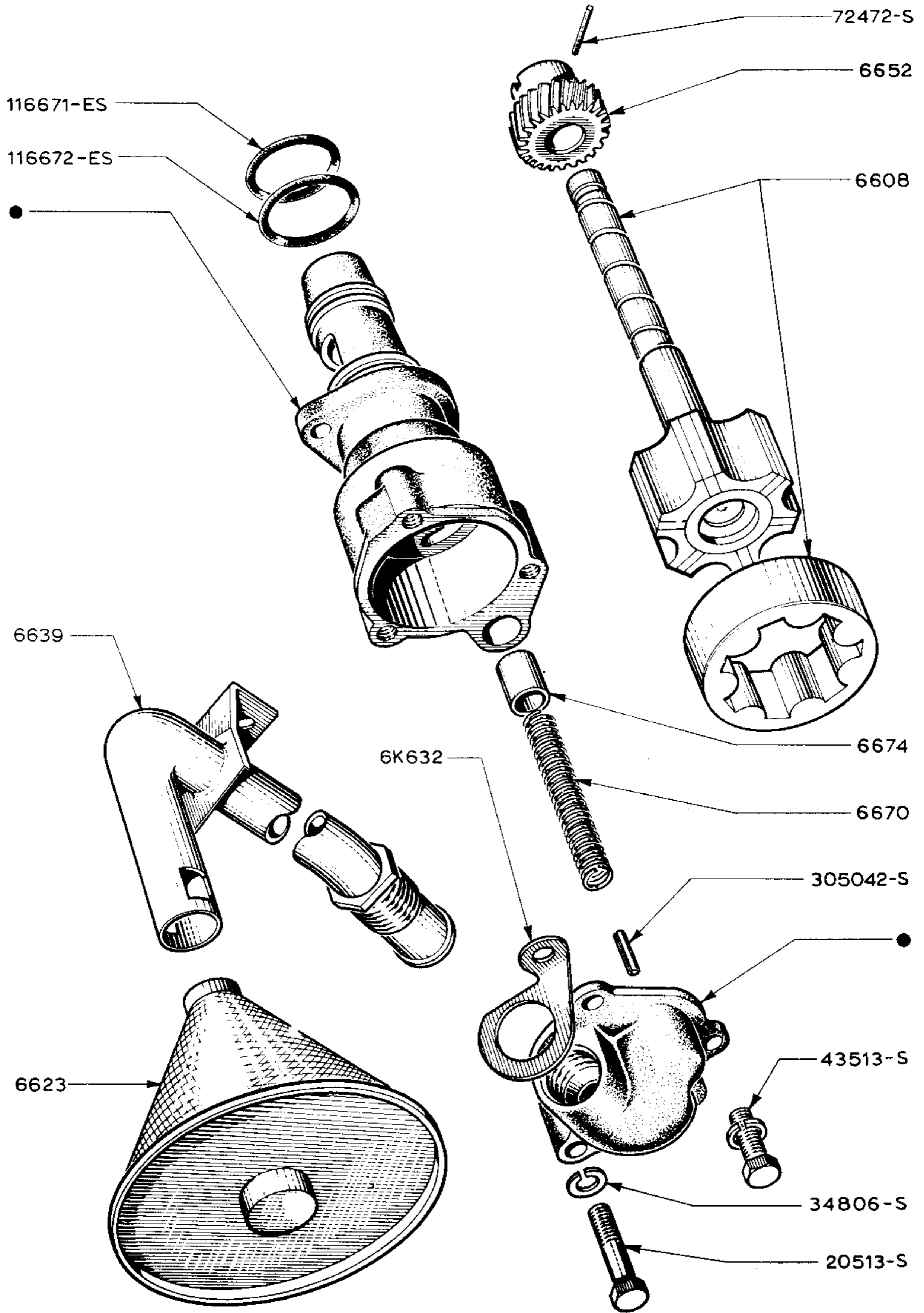
● ITEMS MARKED THUS ARE NOT SERVICED SEPARATELY. DEALER TO ORDER NEXT ASSY.

ENGINE OIL PUMP- EXCEPT TURBO



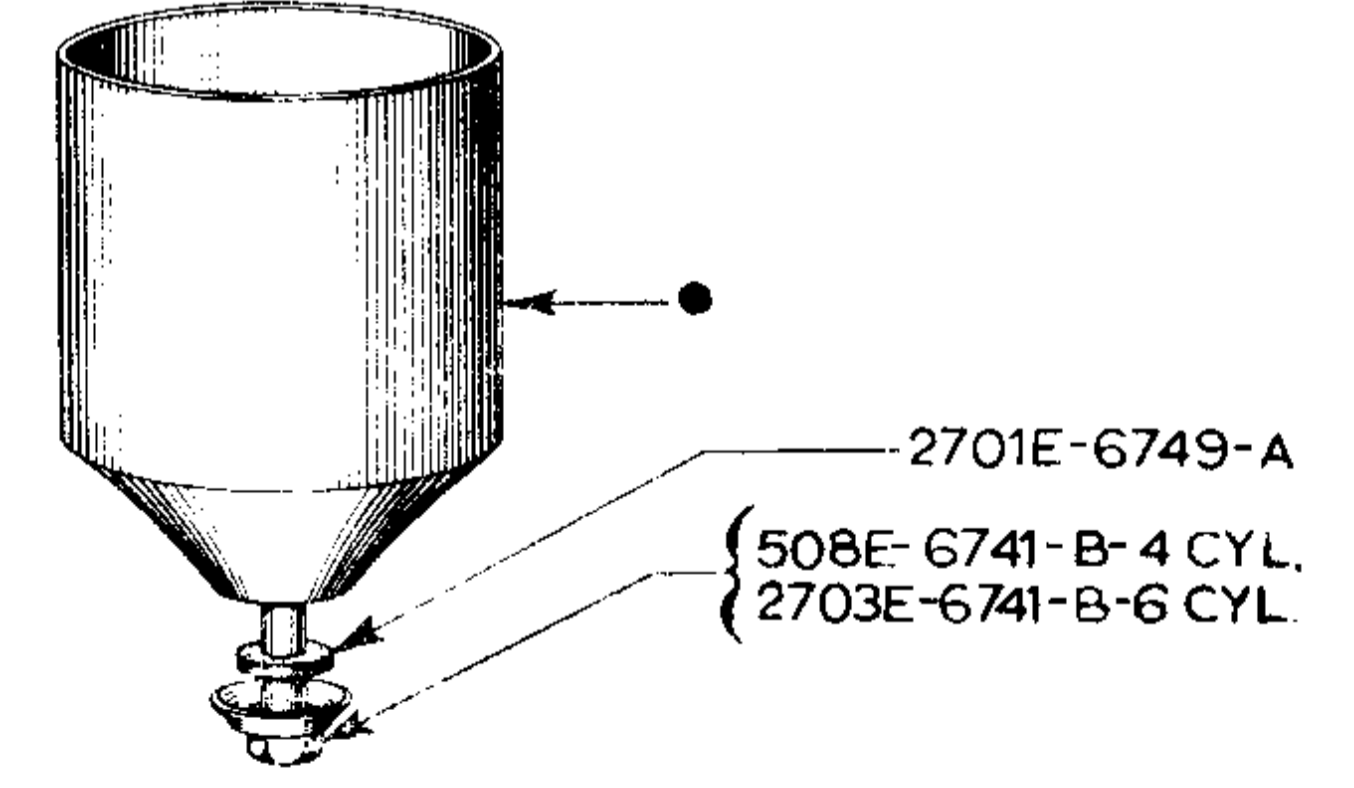
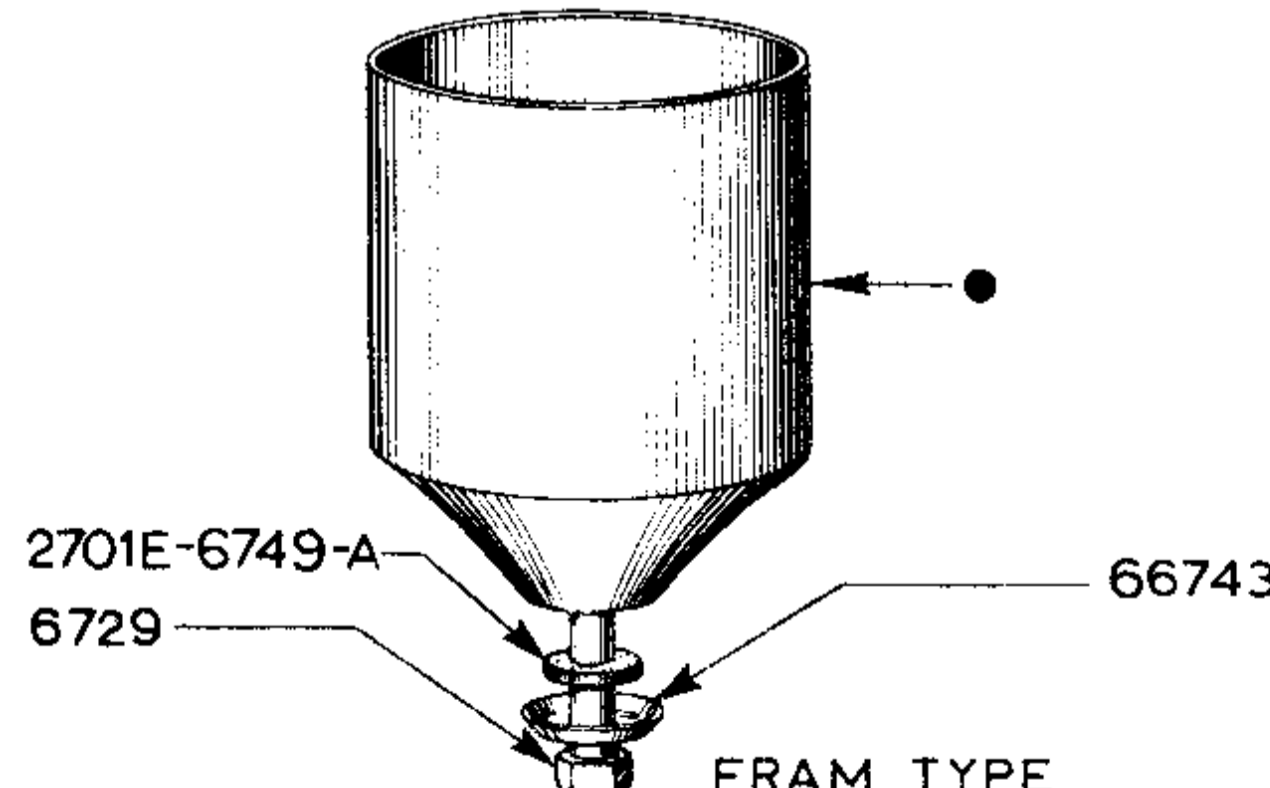
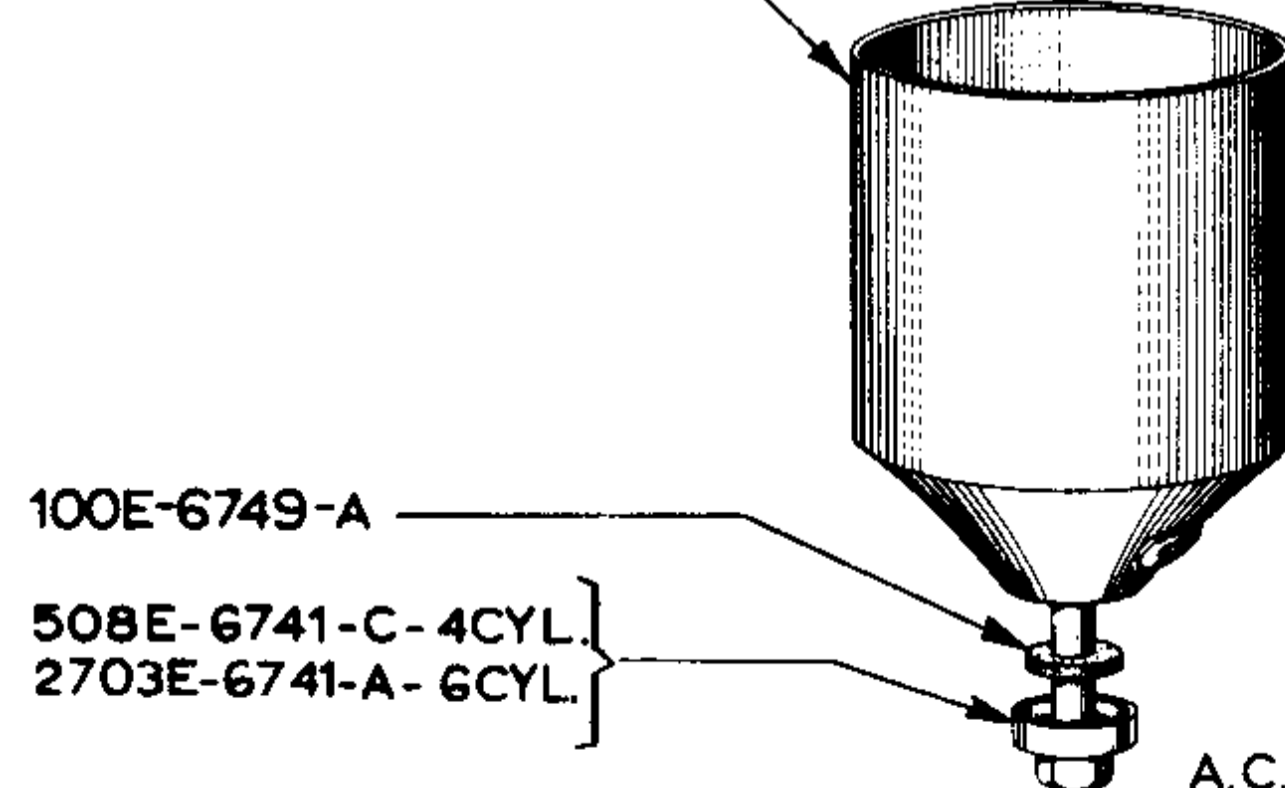
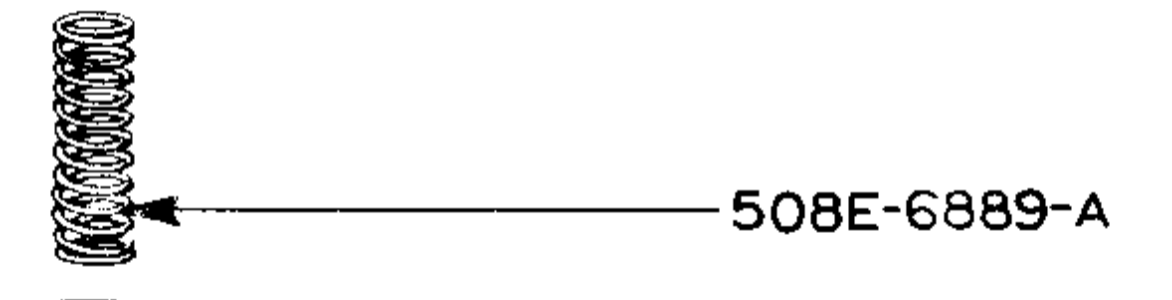
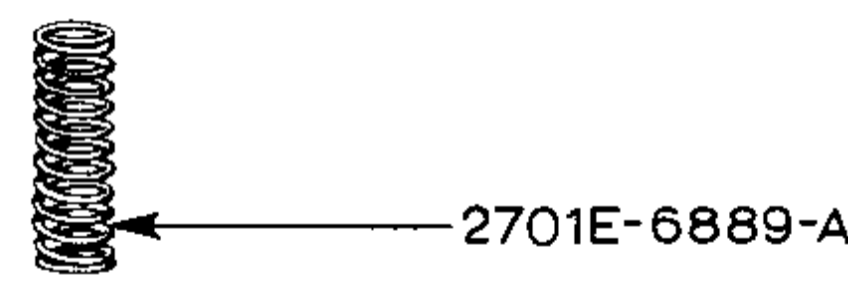
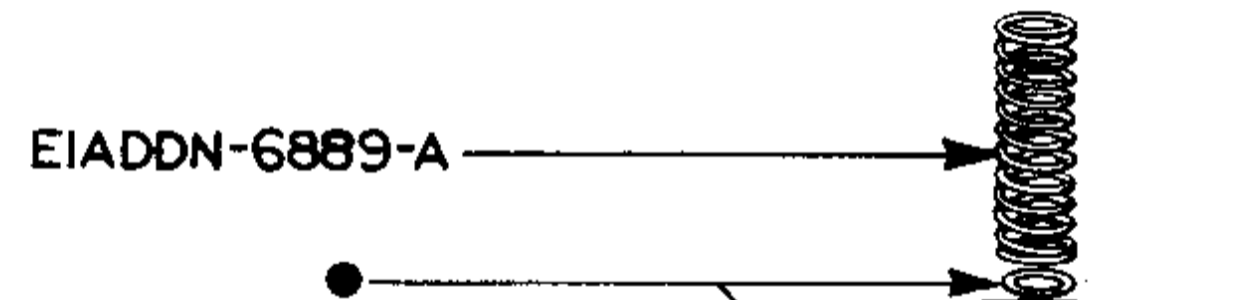
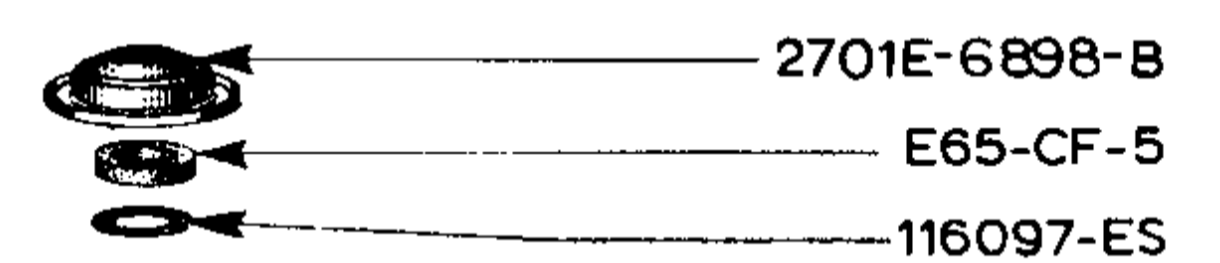
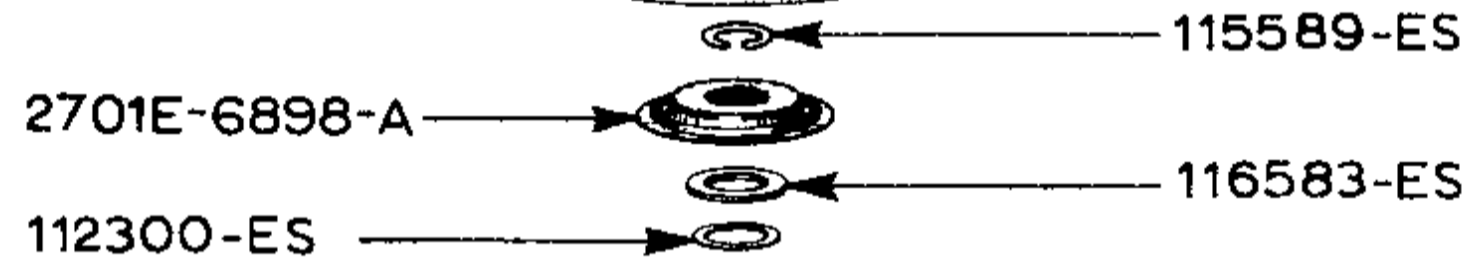
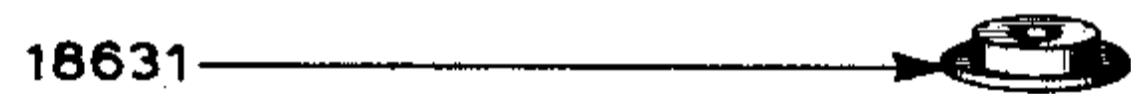
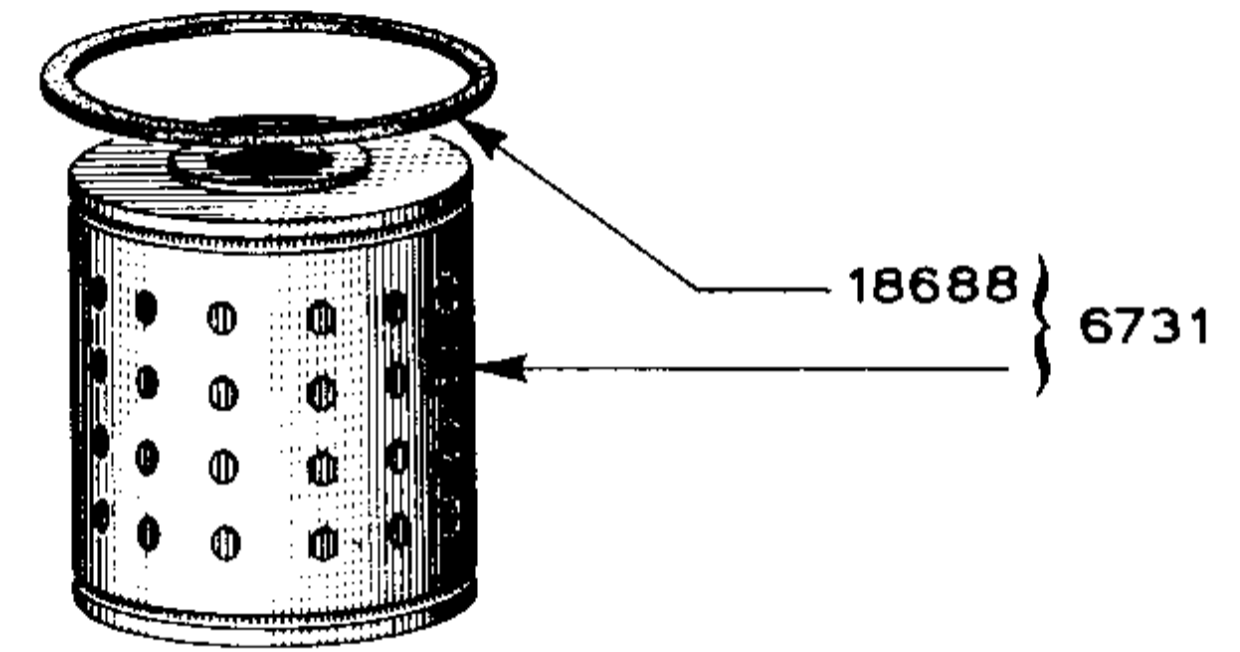
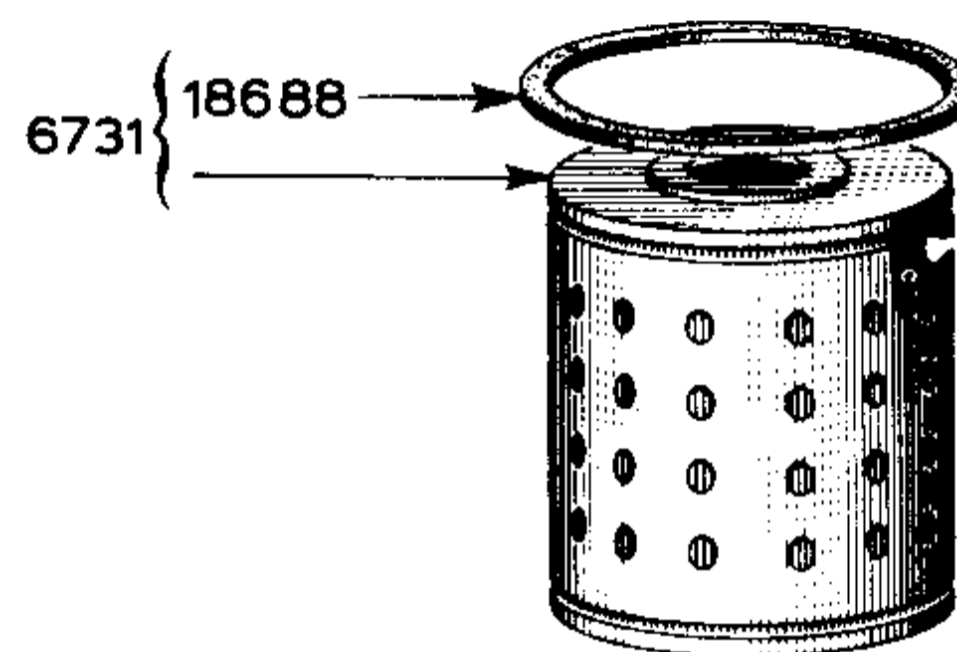
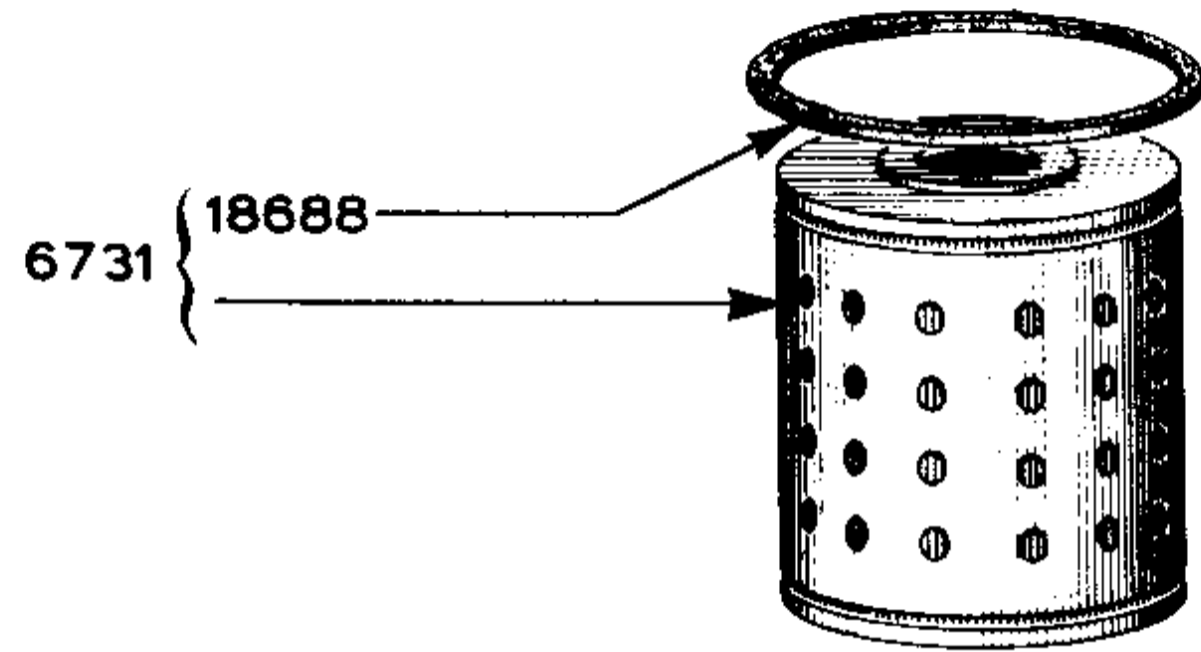
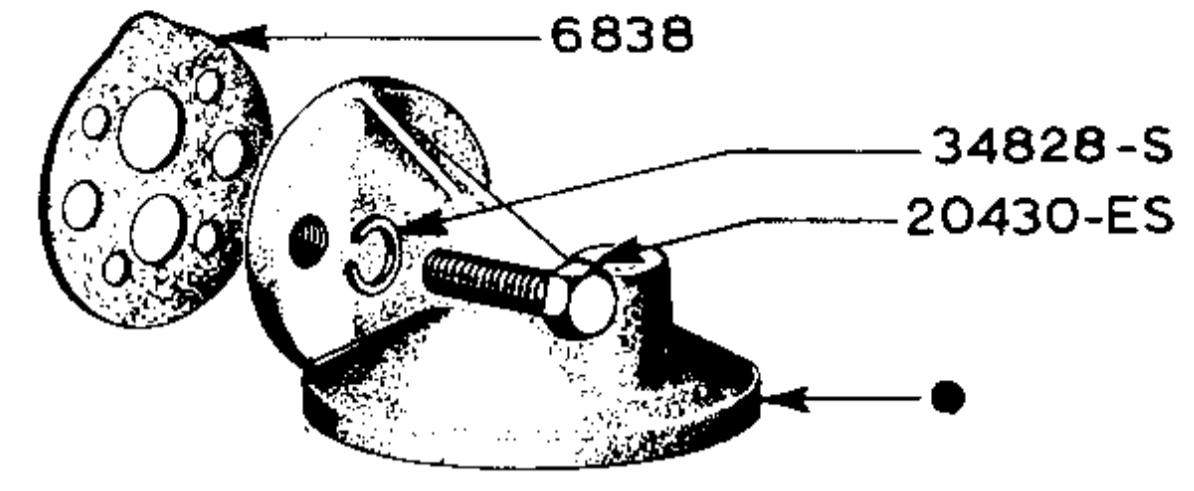
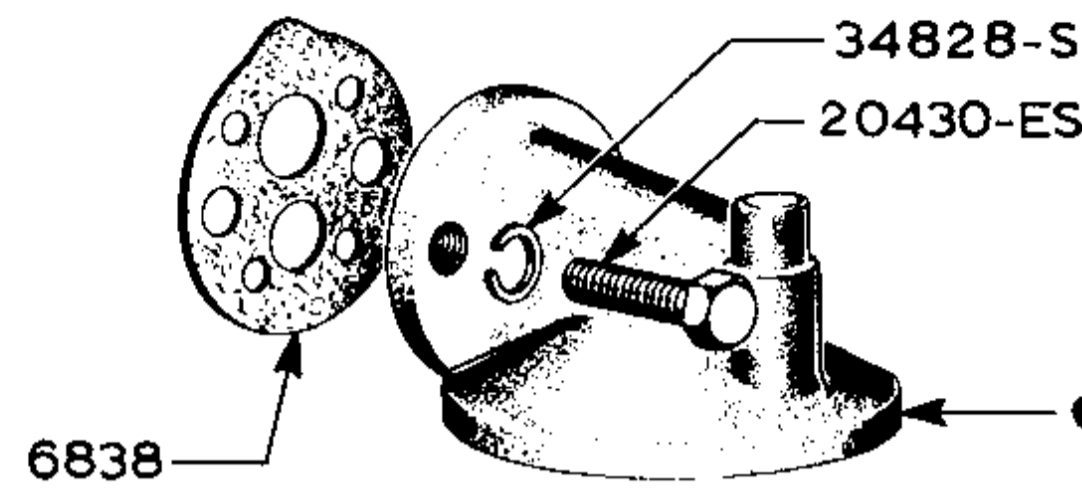
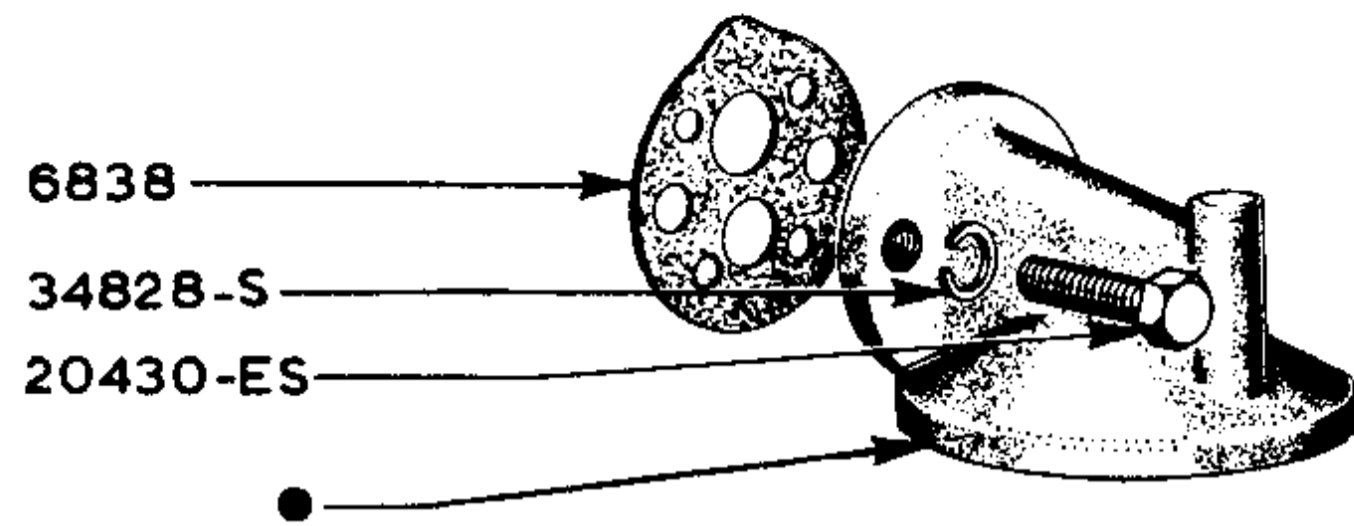
● ITEMS MARKED THUS ARE NOT SERVICED SEPARATELY. DEALER TO ORDER NEXT ASSY.

ENGINE OIL PUMP-EXCEPT TURBO



● ITEMS MARKED THUS ARE NOT SERVICED SEPARATELY. DEALER TO ORDER NEXT ASSY.

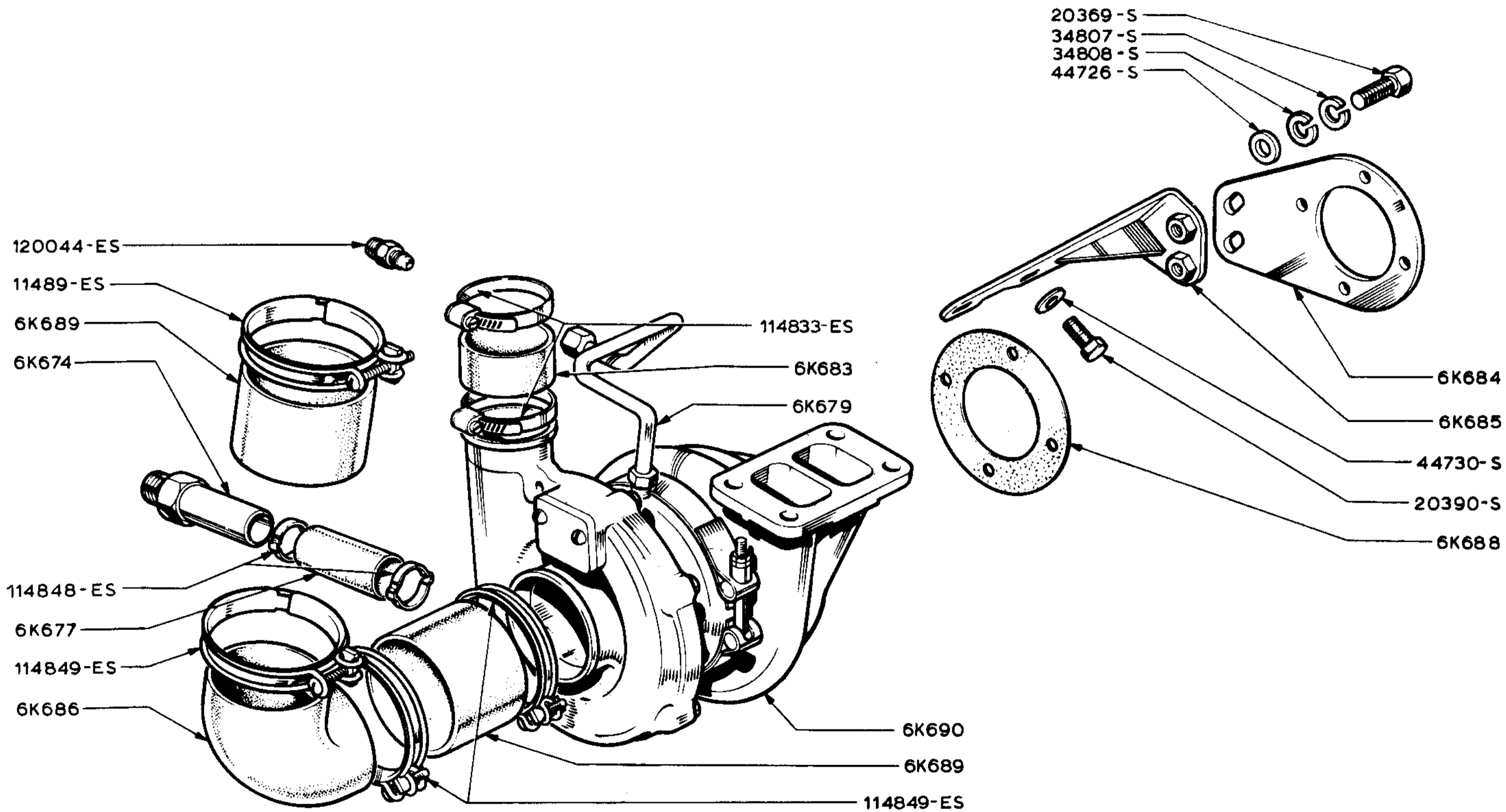
ENGINE OIL PUMP-WITH TURBO.



● ITEMS MARKED THUS ARE NOT SERVICED SEPARATELY DEALER TO ORDER NEXT ASSY.

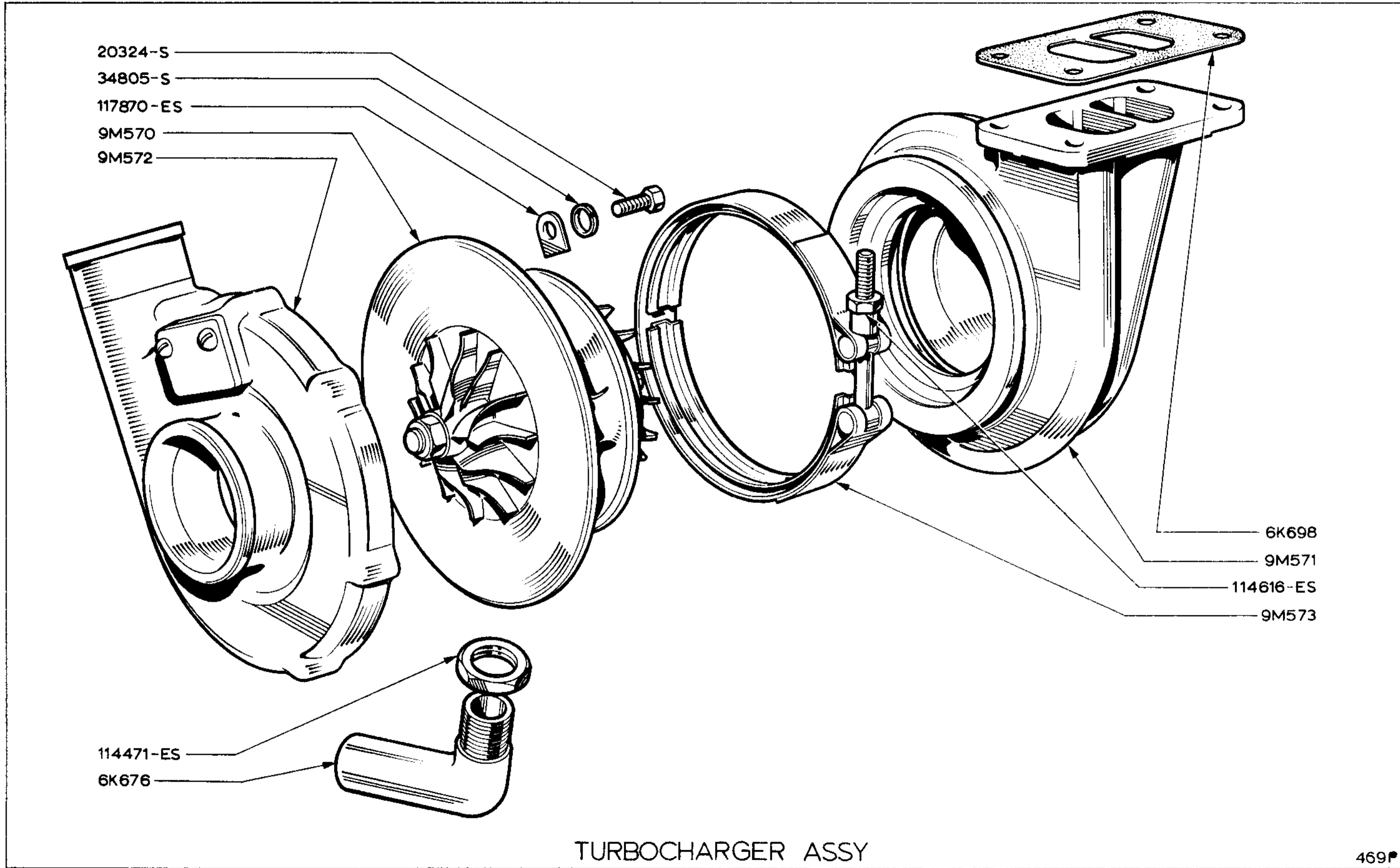
ENGINE OIL FILTERS  
2700E/2702E-6714-A

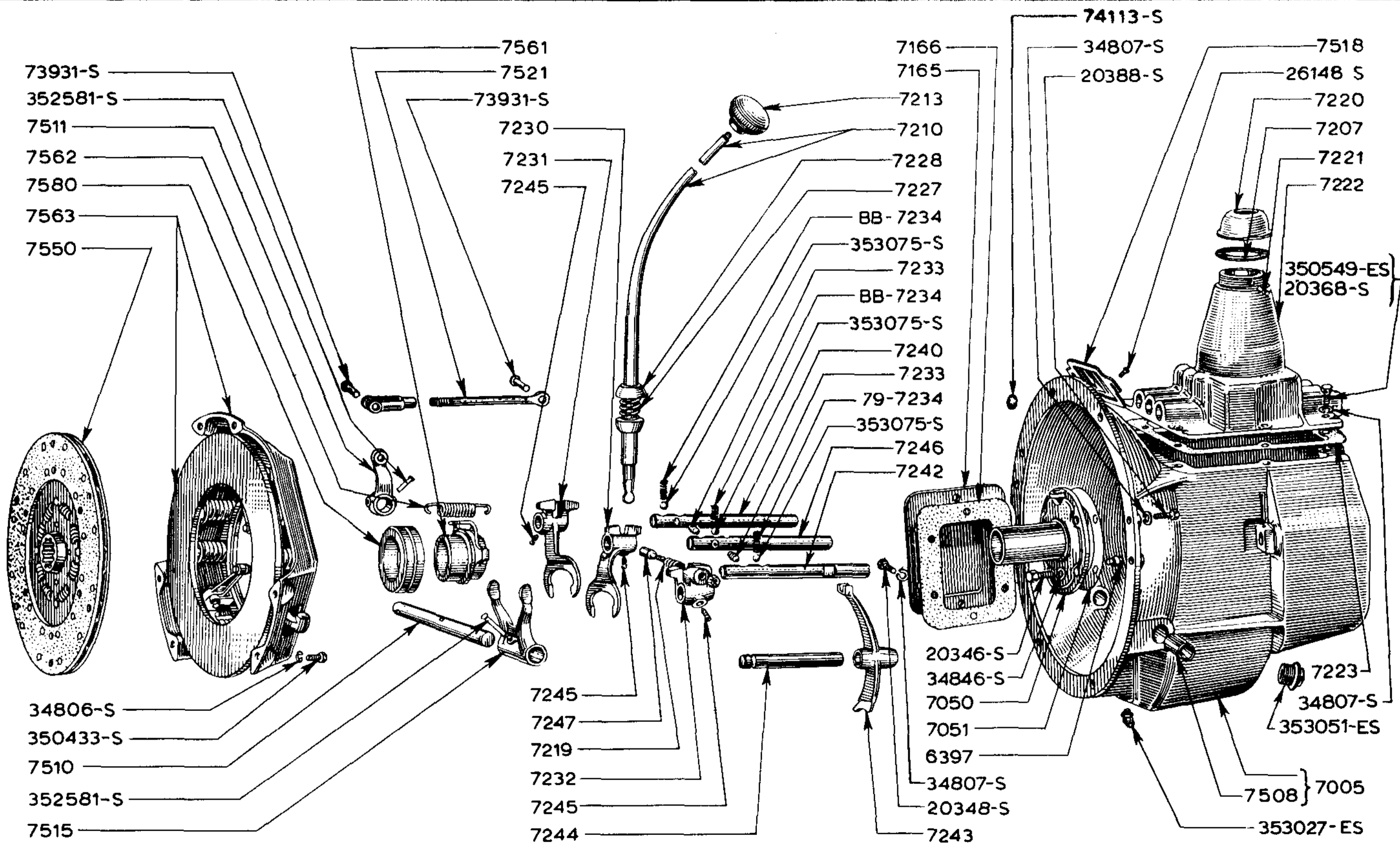
TECALEMIT TYPE



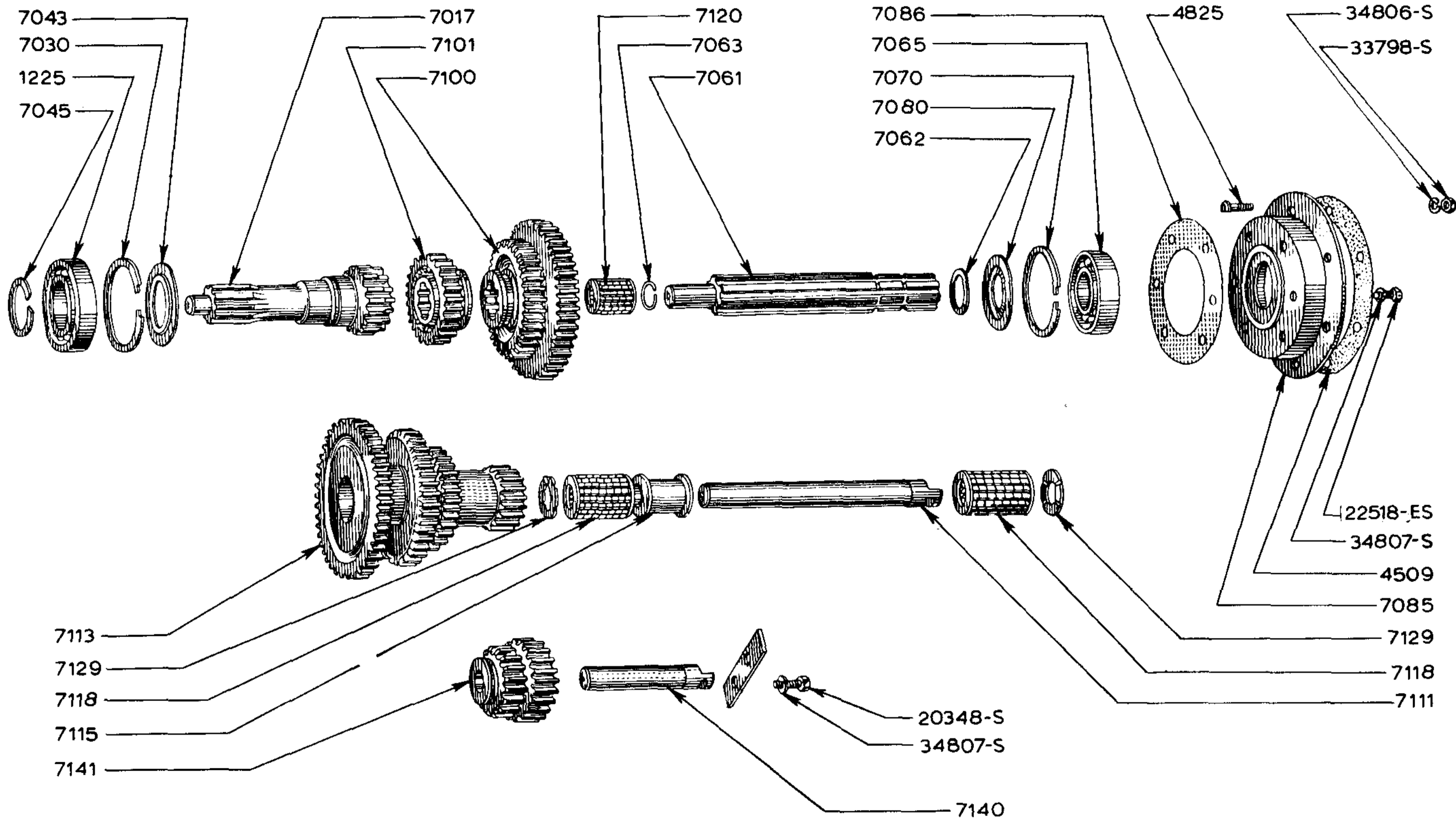
TURBOCHARGER, HOSES, CLIPS AND PIPES



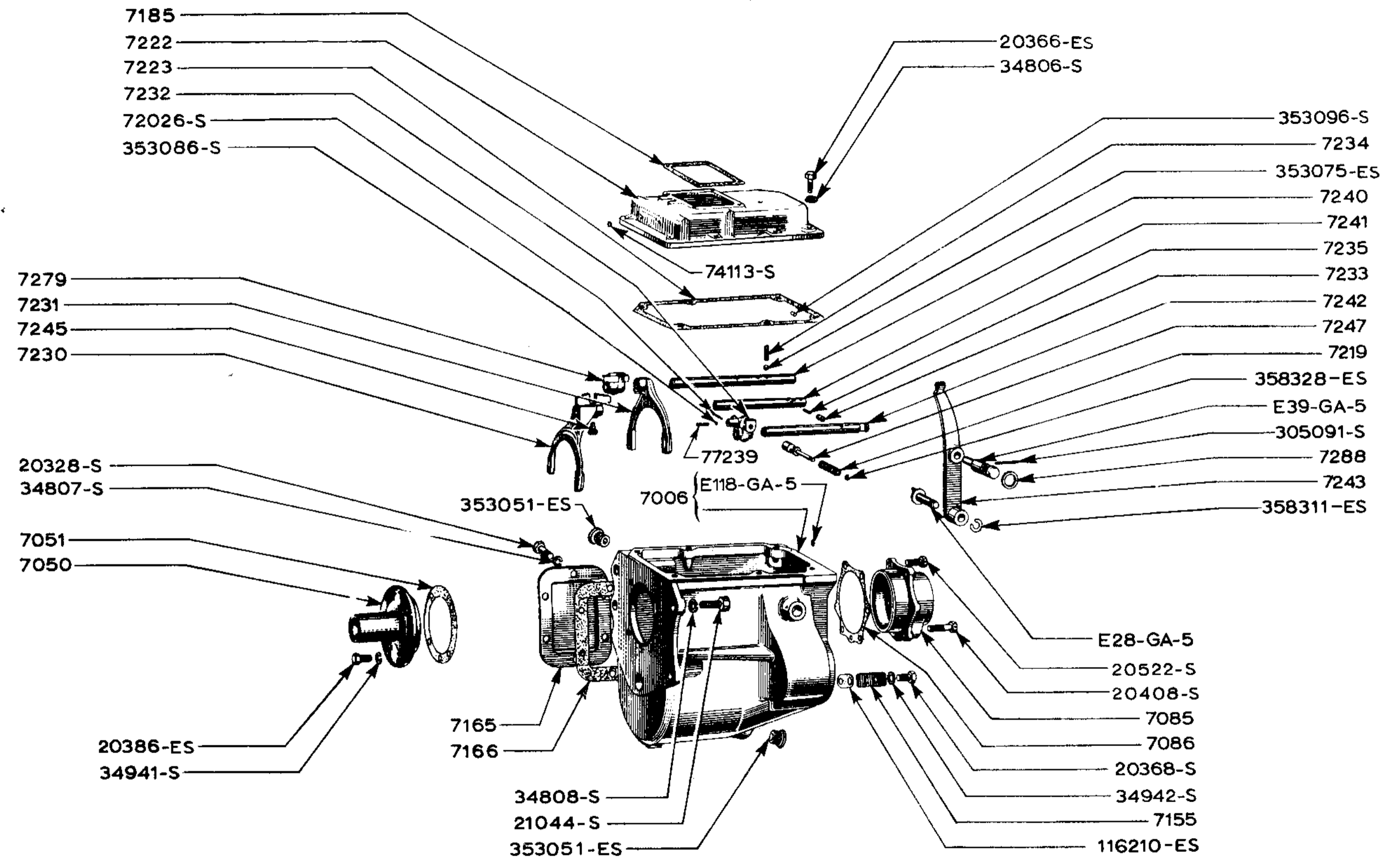




GEARBOX-EXTERIOR-4 SPEED-NON SYNCHROMESH

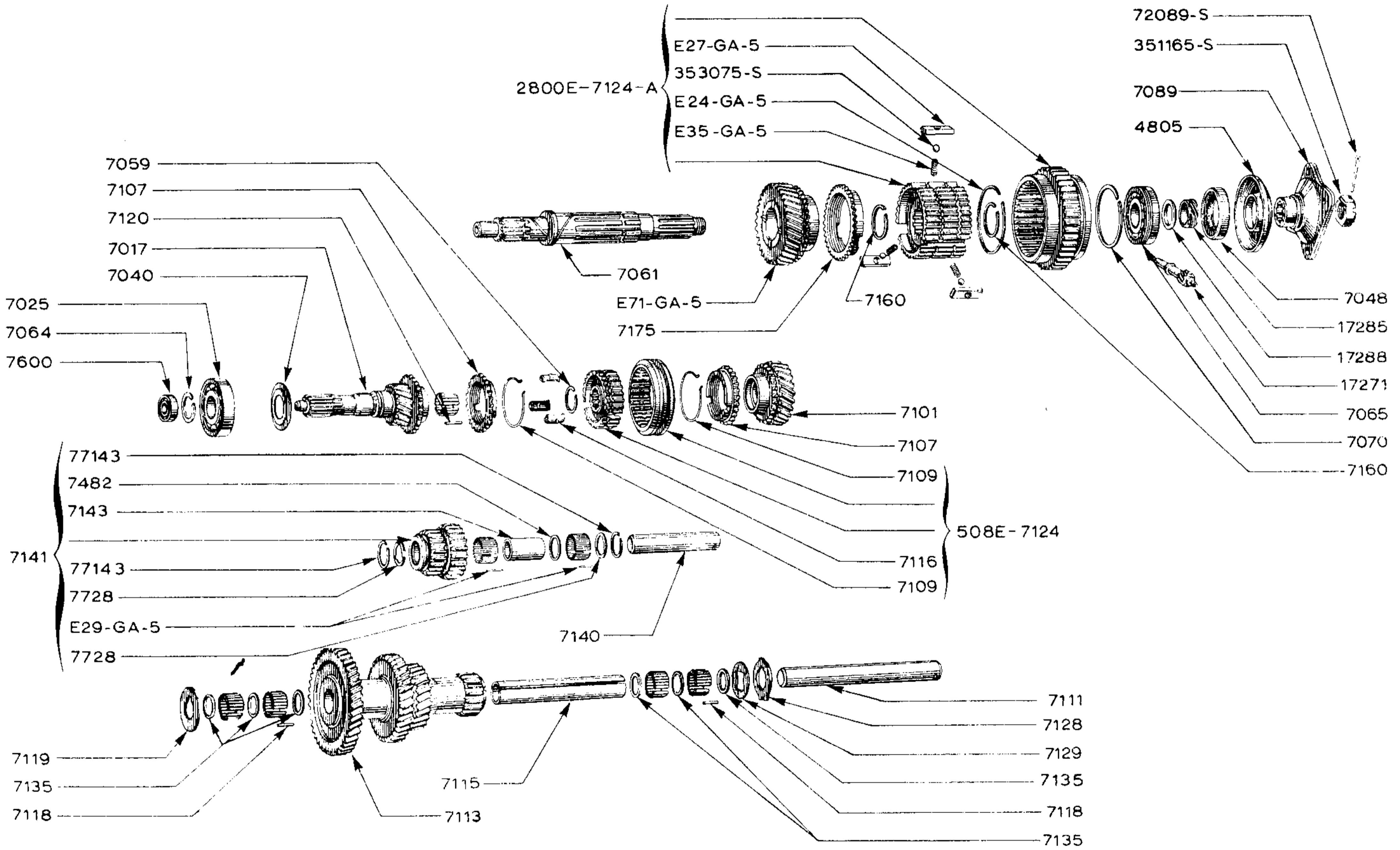


GEARBOX-INTERIOR-4 SPEED-NON SYNCHROMESH



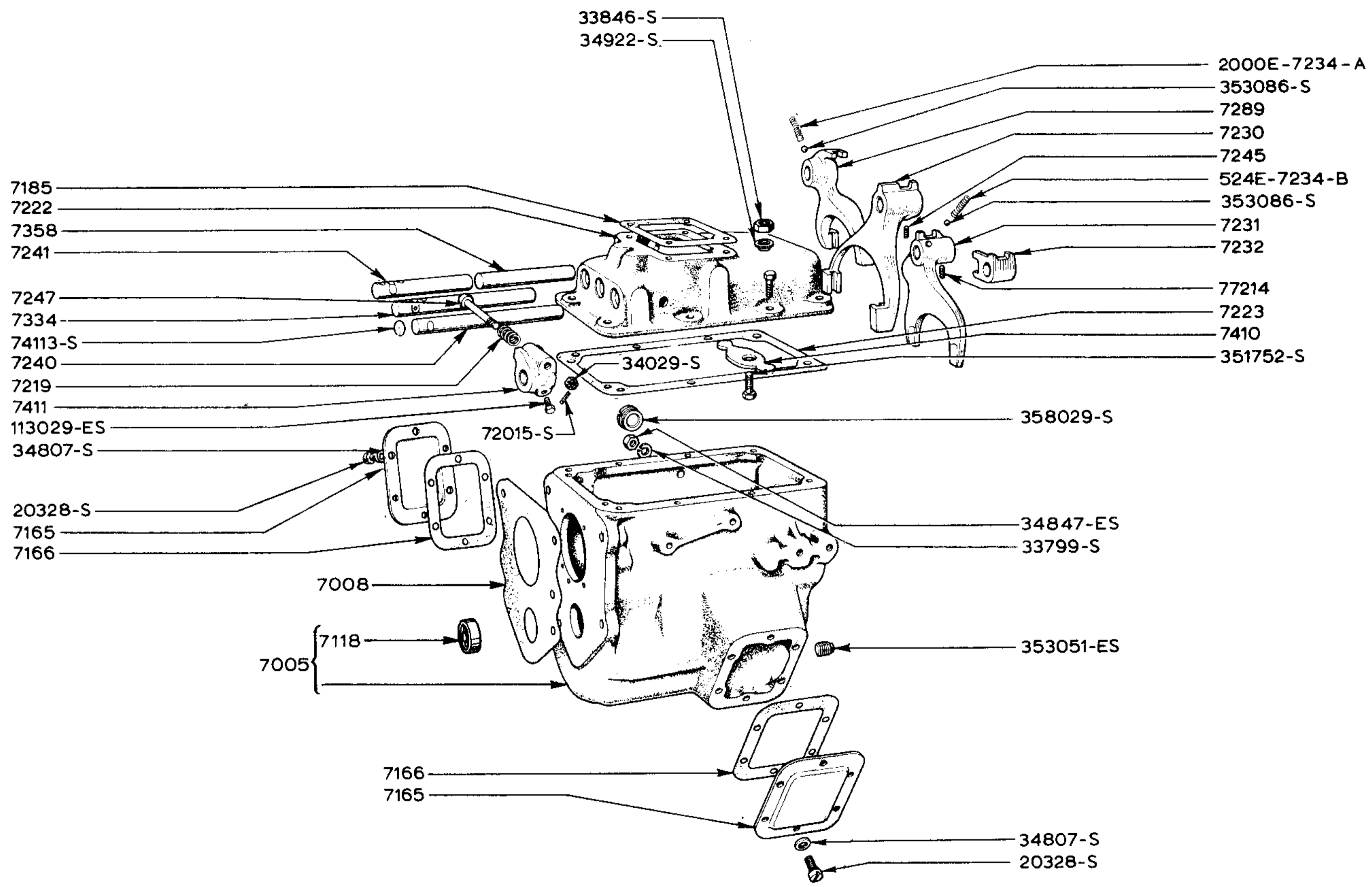
GEARBOX EXTERIOR -4 SPEED-SYNCHROMESH



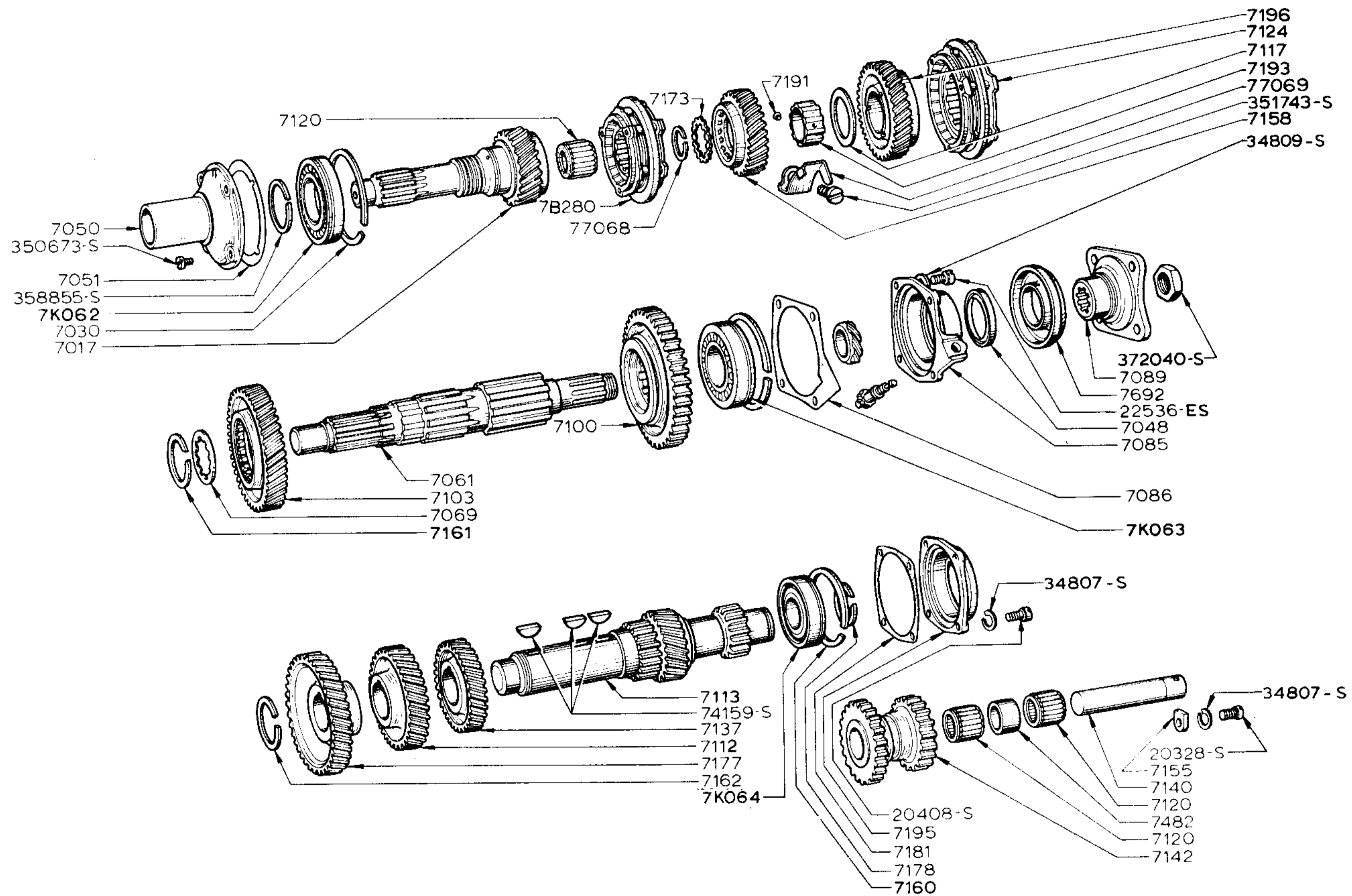


4 SPEED GEARBOX INTERIOR SYNCHROMESH

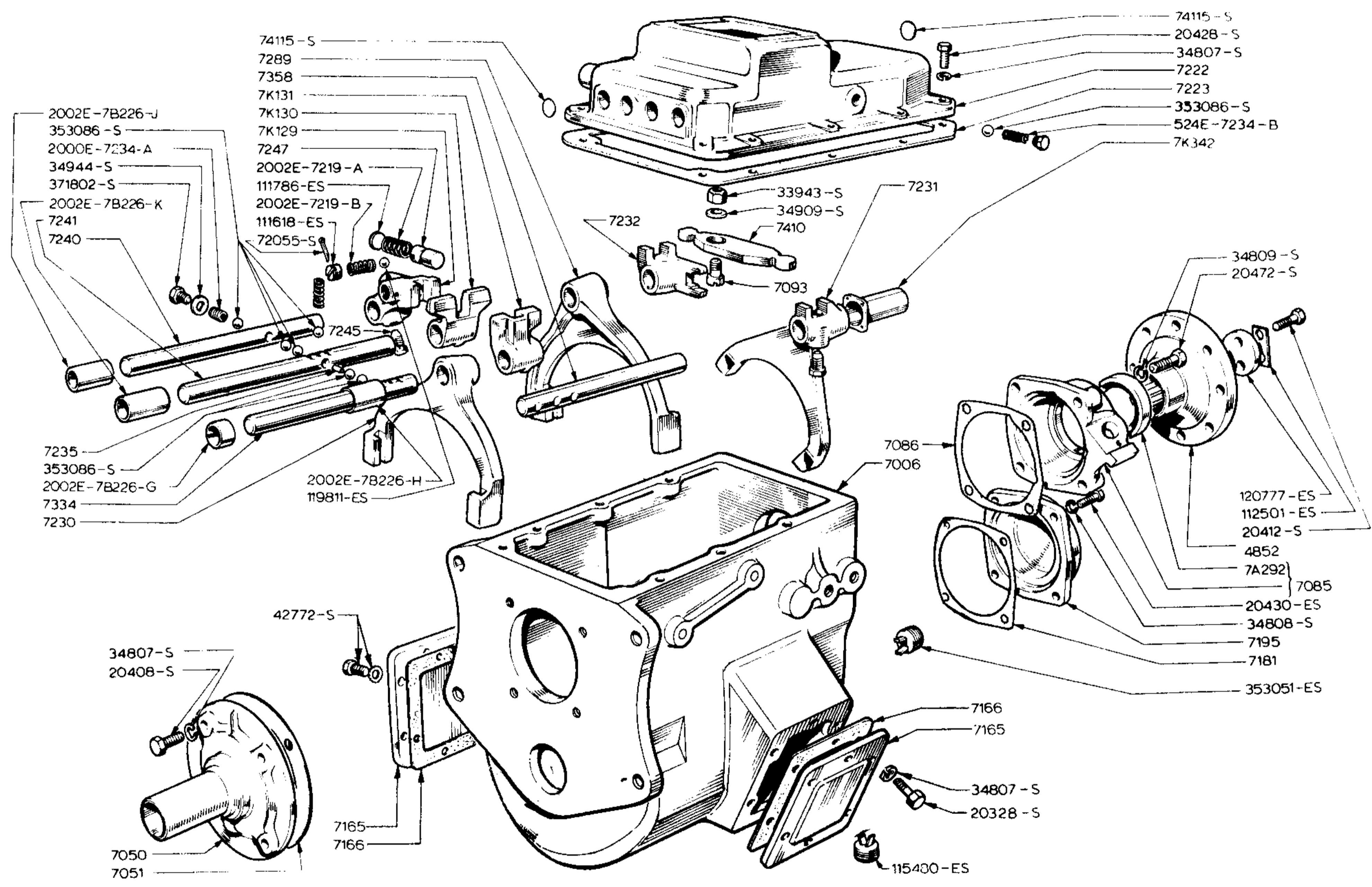




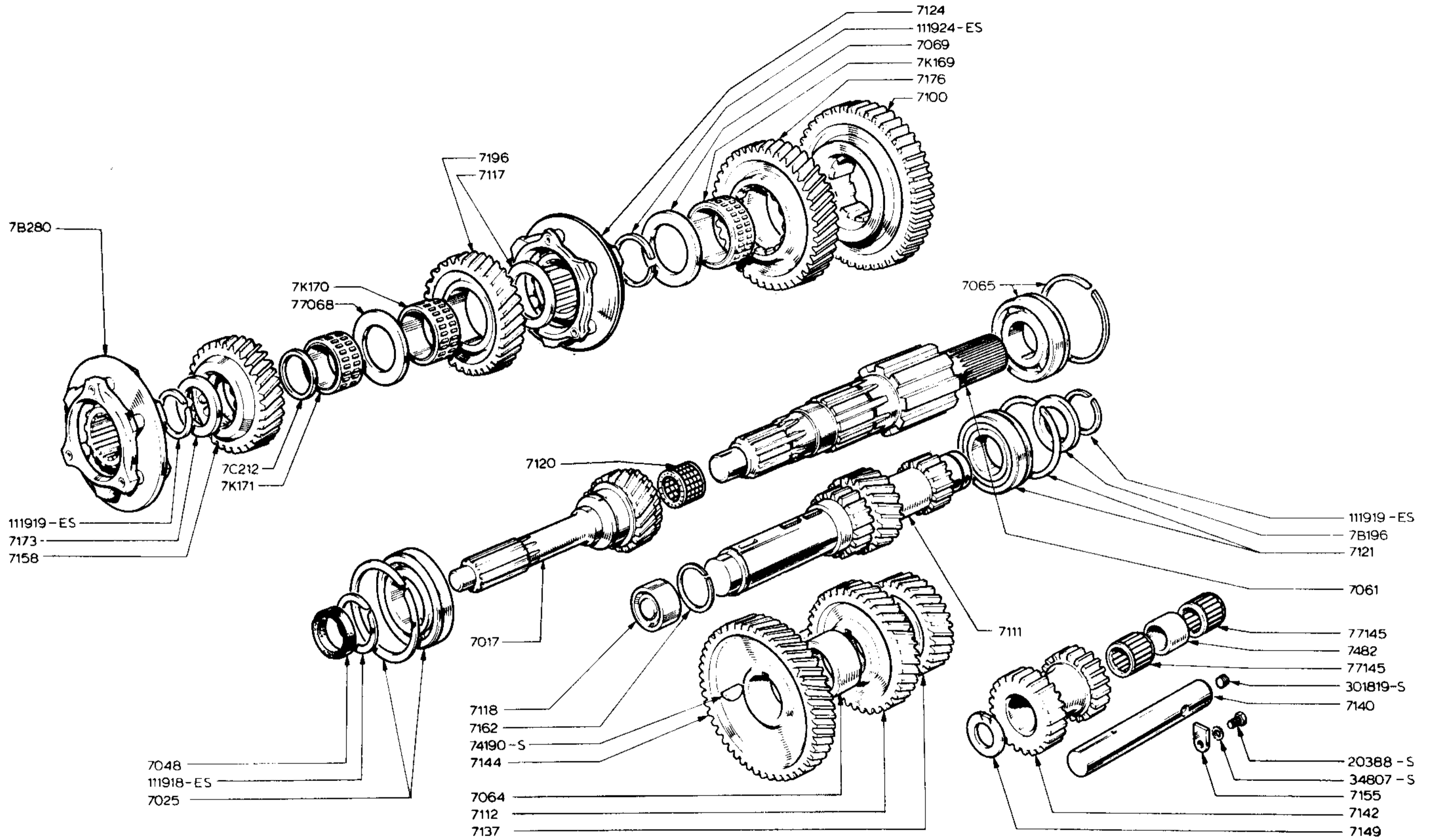
GEARBOX EXTERIOR- 5 SPEED- EXCEPT TURBO



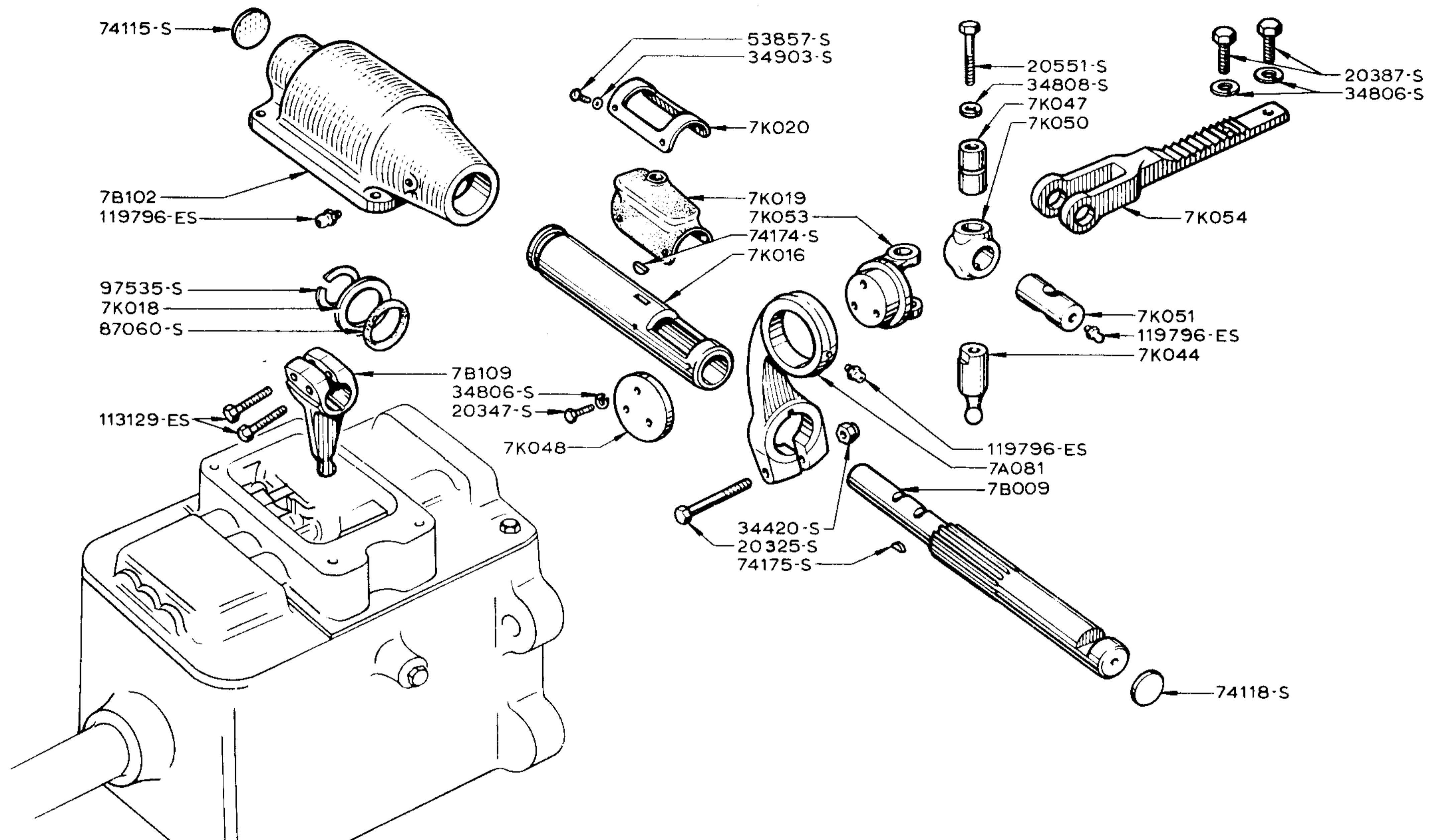
GEARBOX INTERIOR-5 SPEED-EXCEPT TURBO



GEARBOX EXTERIOR - 5 SPEED - WITH TURBO

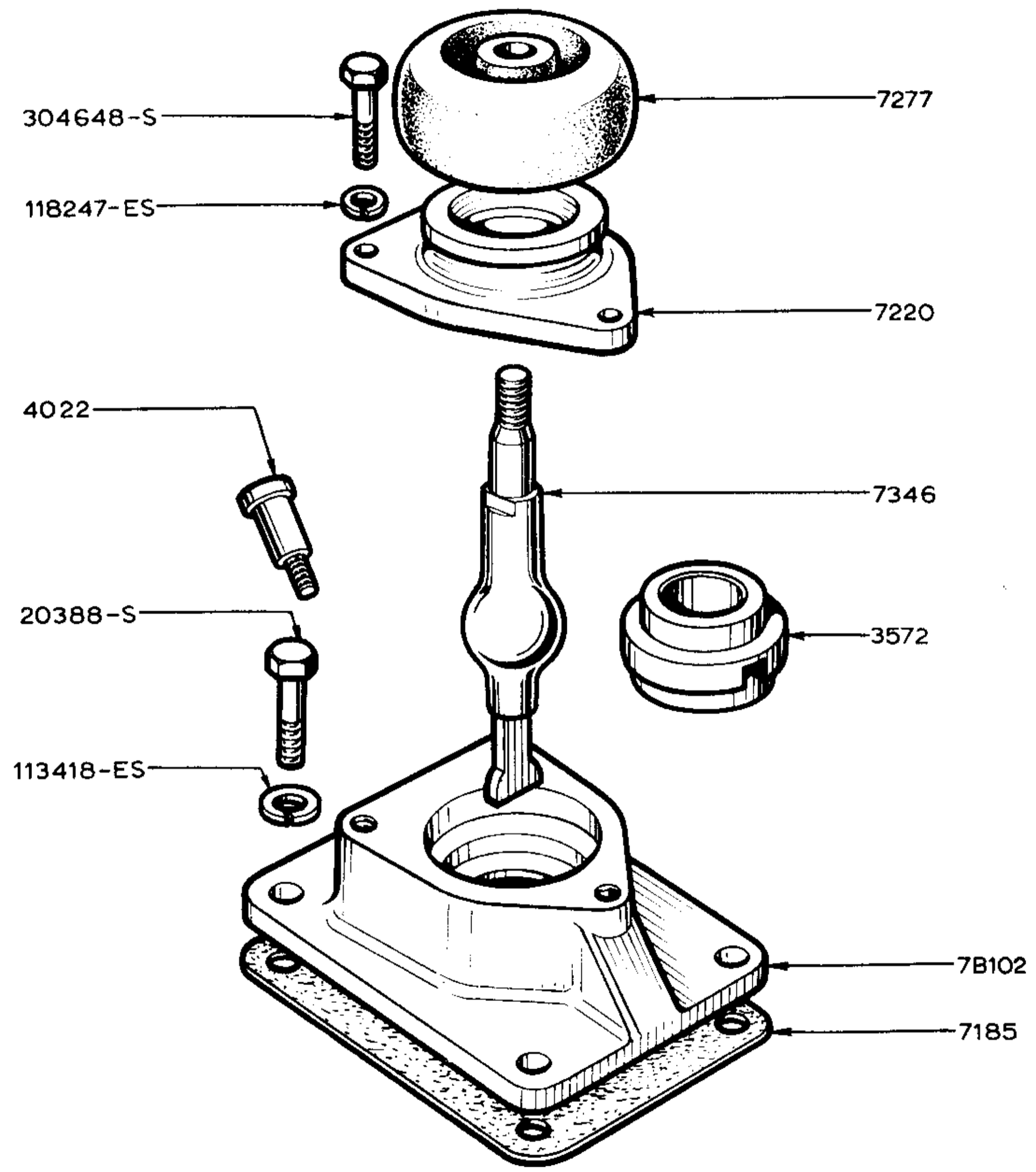


GEARBOX INTERIOR-5 SPEED-WITH TURBO

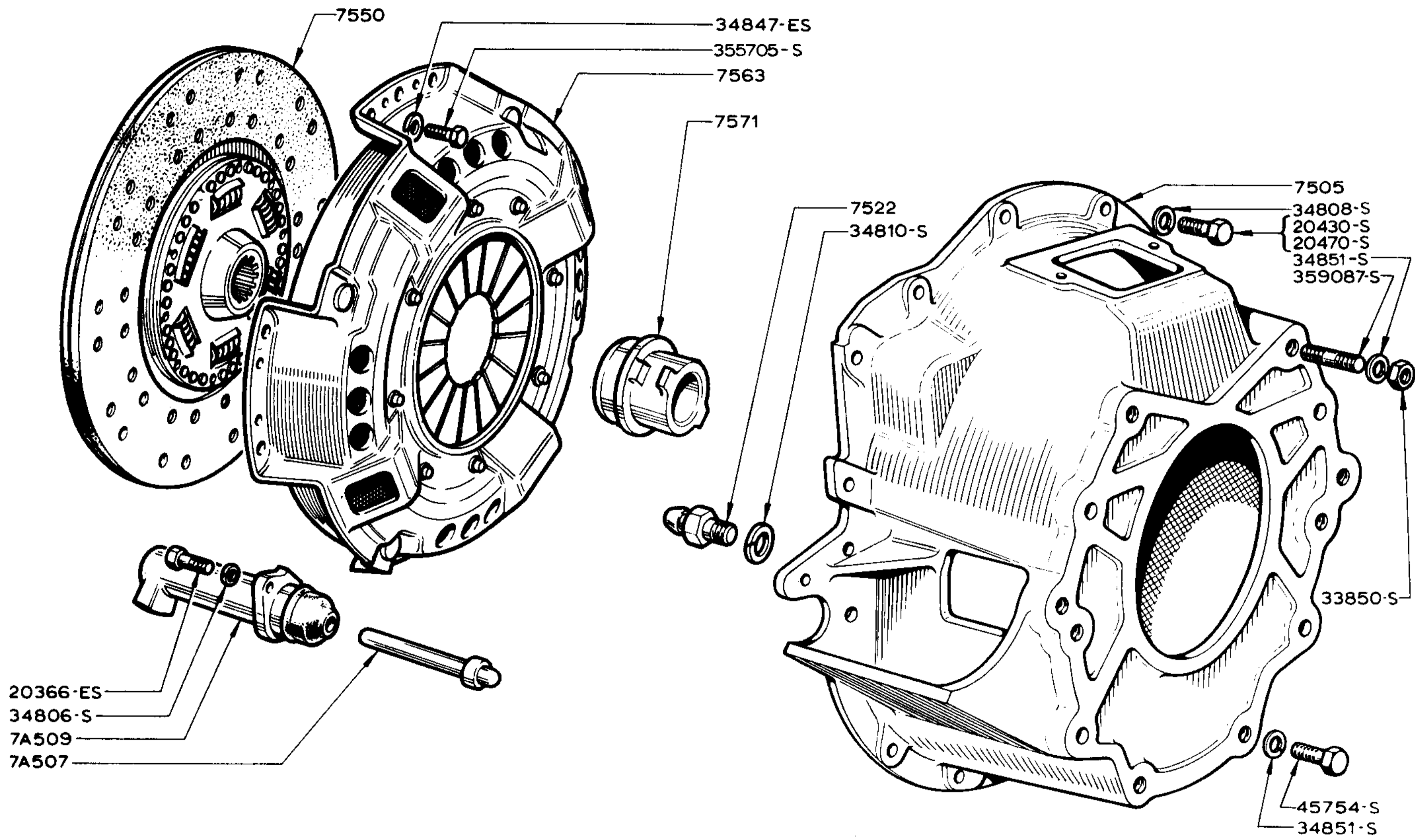


GEAR CHANGE REMOTE CONTROL HOUSING & UNIVERSAL JOINT - EXCEPT TURBO

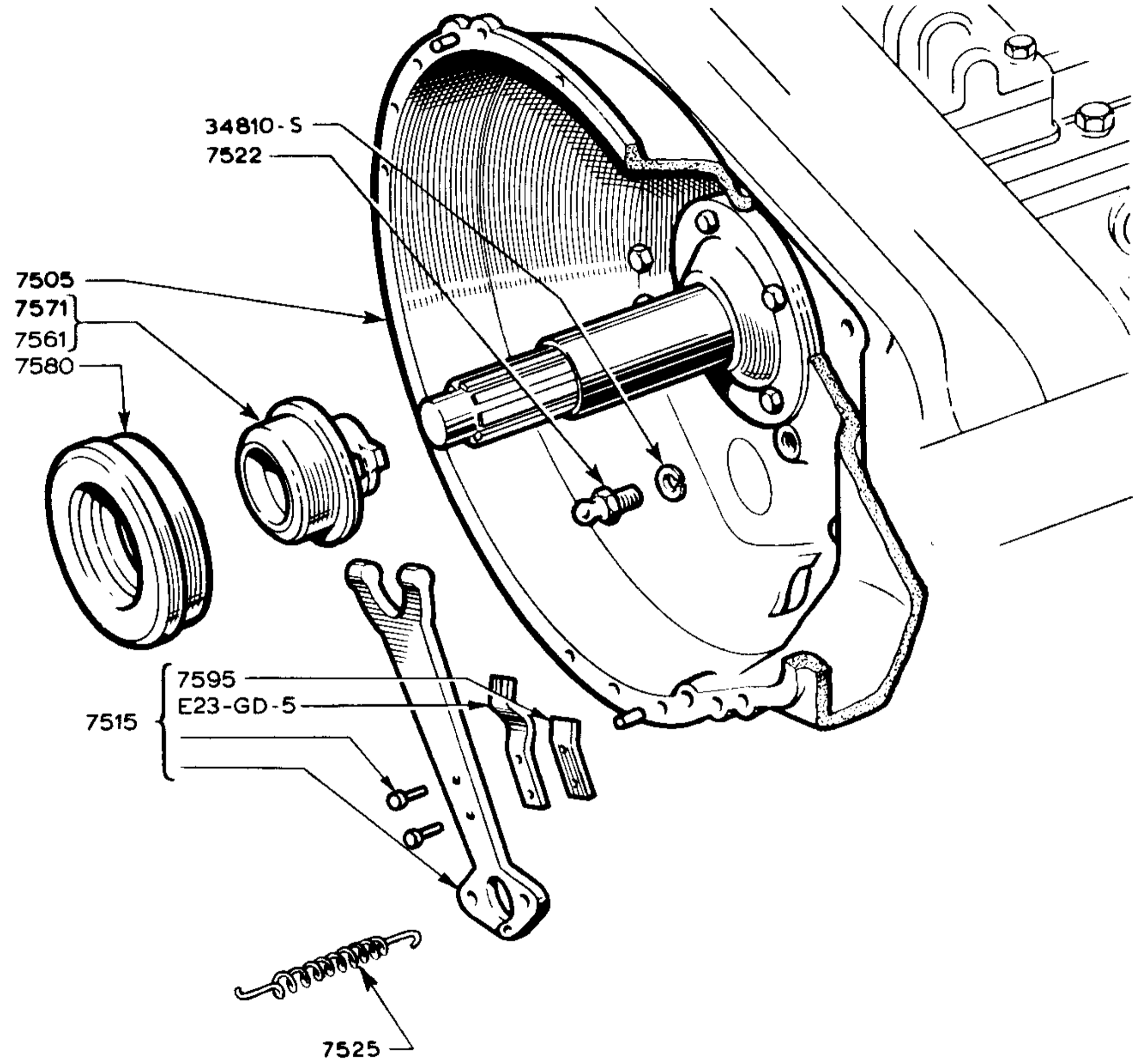




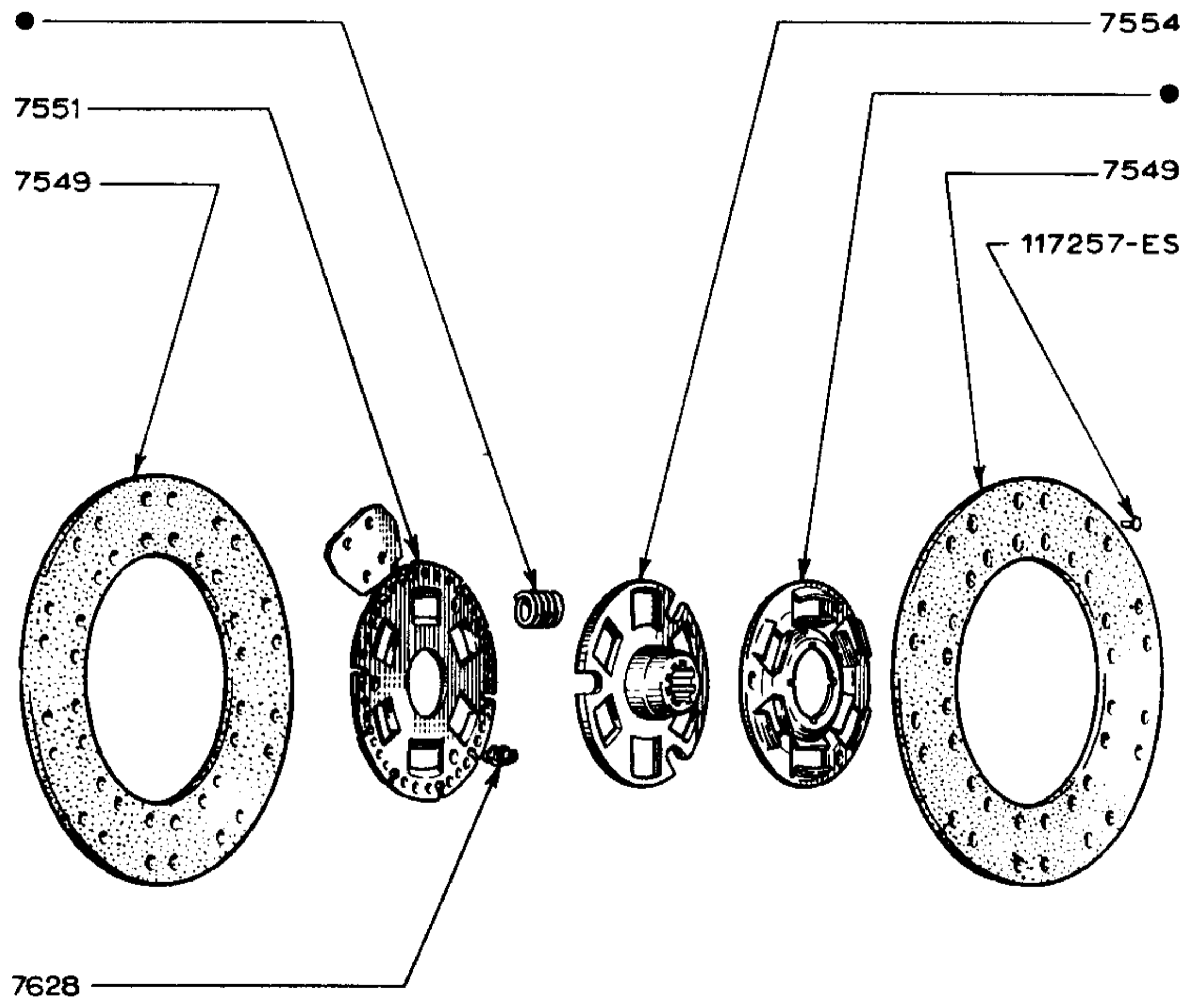
GEAR CHANGE HOUSING - WITH TURBO



CLUTCH HOUSING AND RELEASE MECHANISM — WITH TURBO

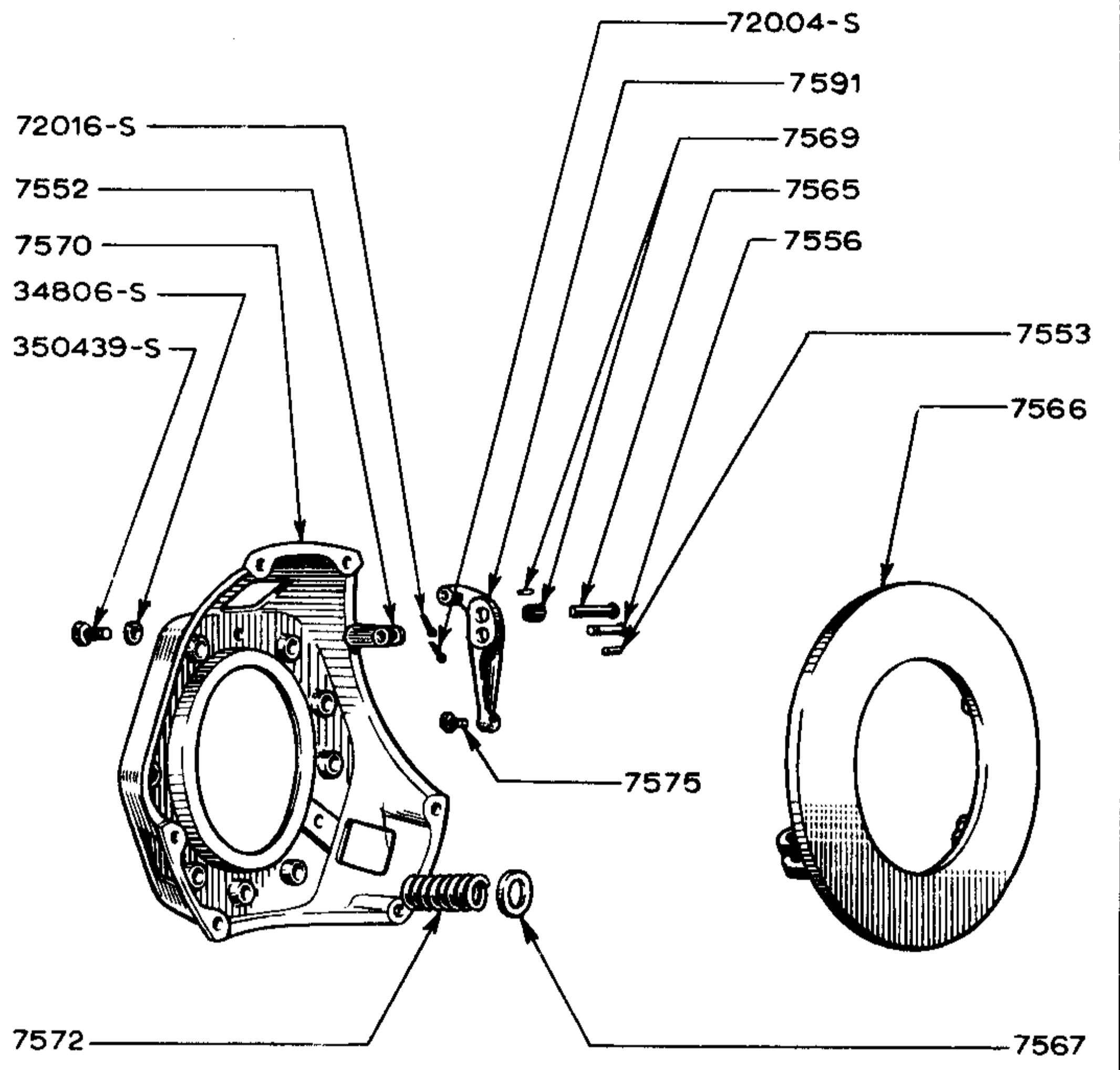


CLUTCH HOUSING AND RELEASE MECHANISM - EXCEPT TURBO



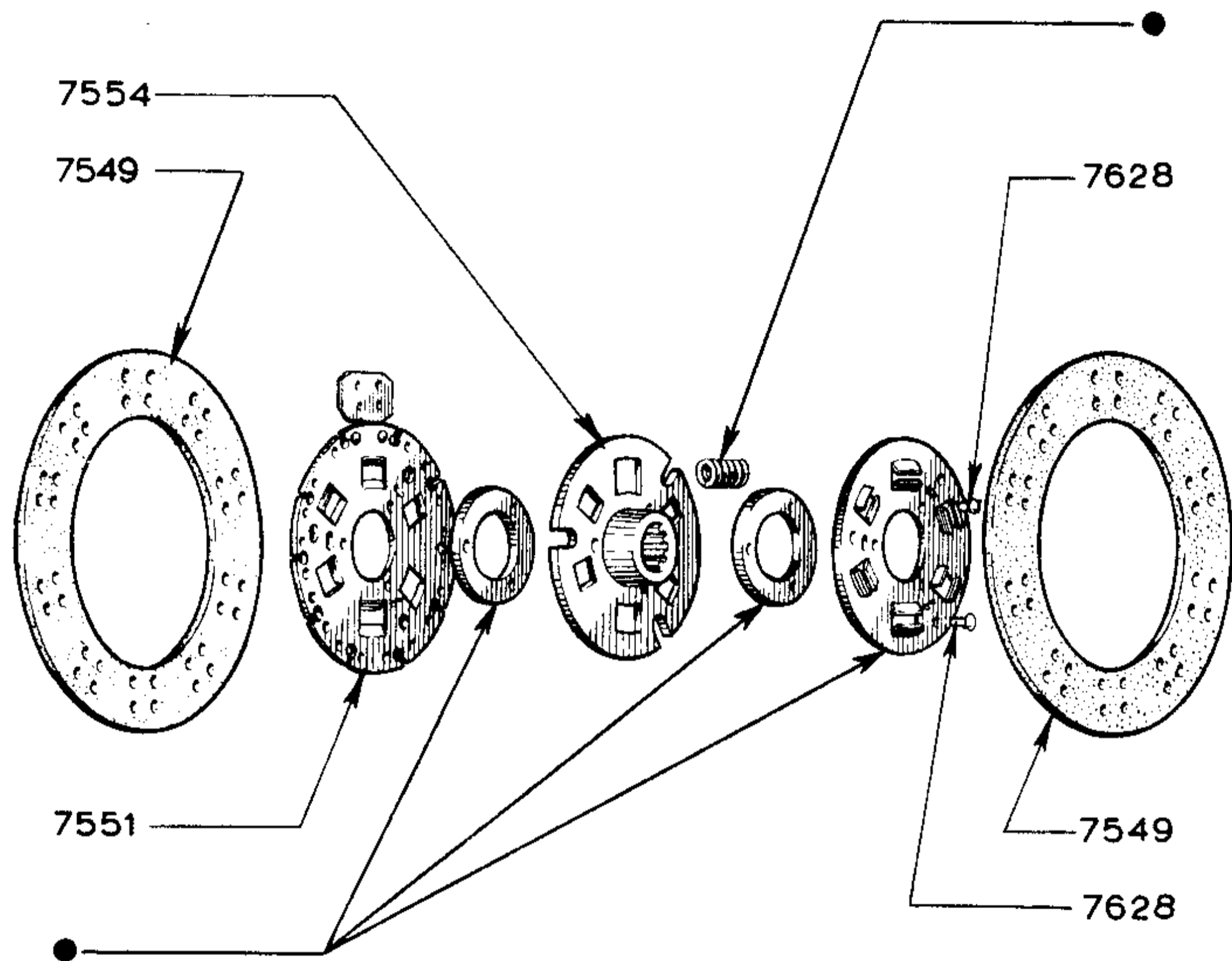
530E-7550-B

● Items marked thus not serviced seperately  
Dealer to order next assy.



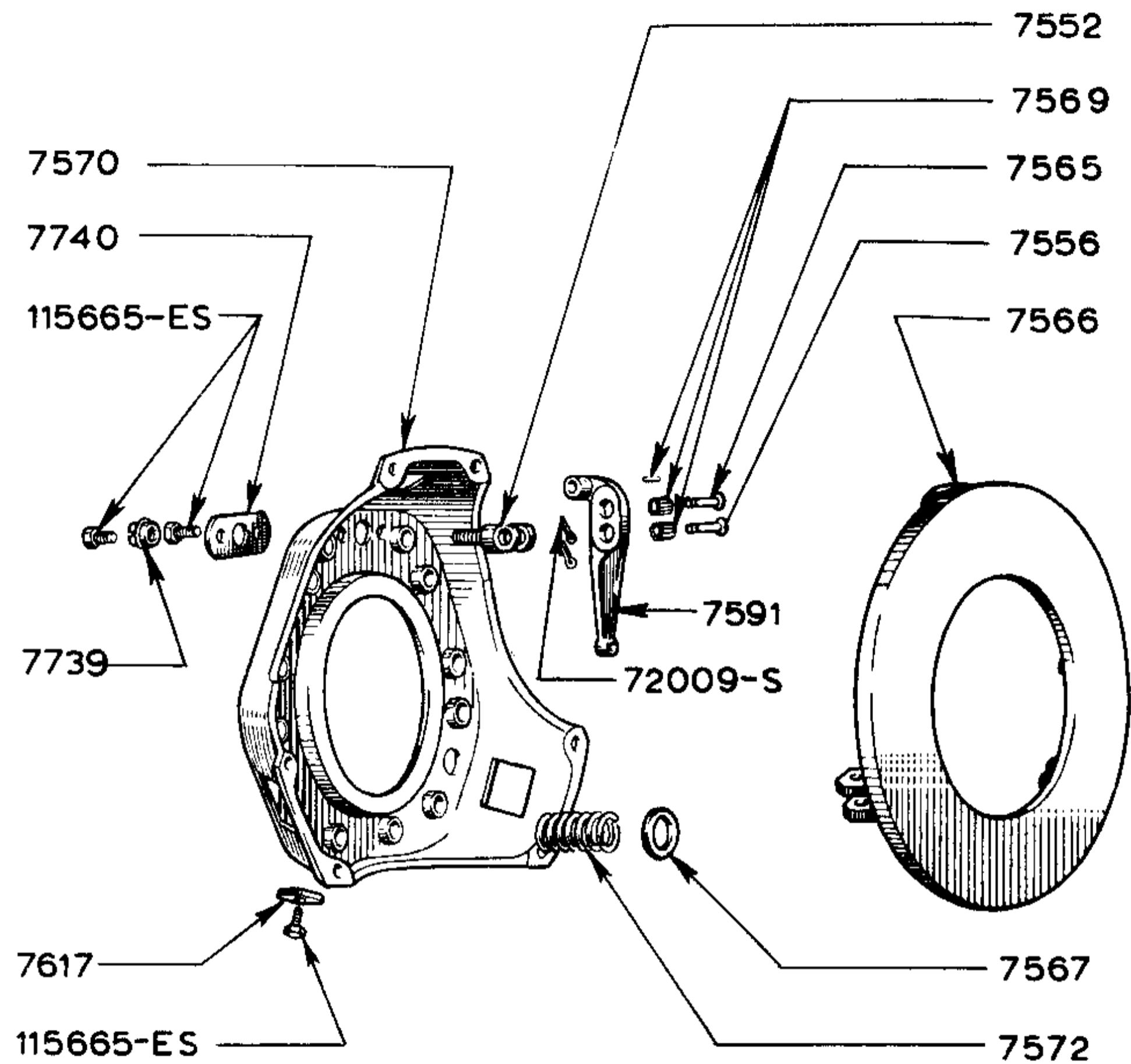
51E-7563/508E-7563-B

CLUTCH DISC AND PRESSURE PLATE-11"



2000E-7550-C

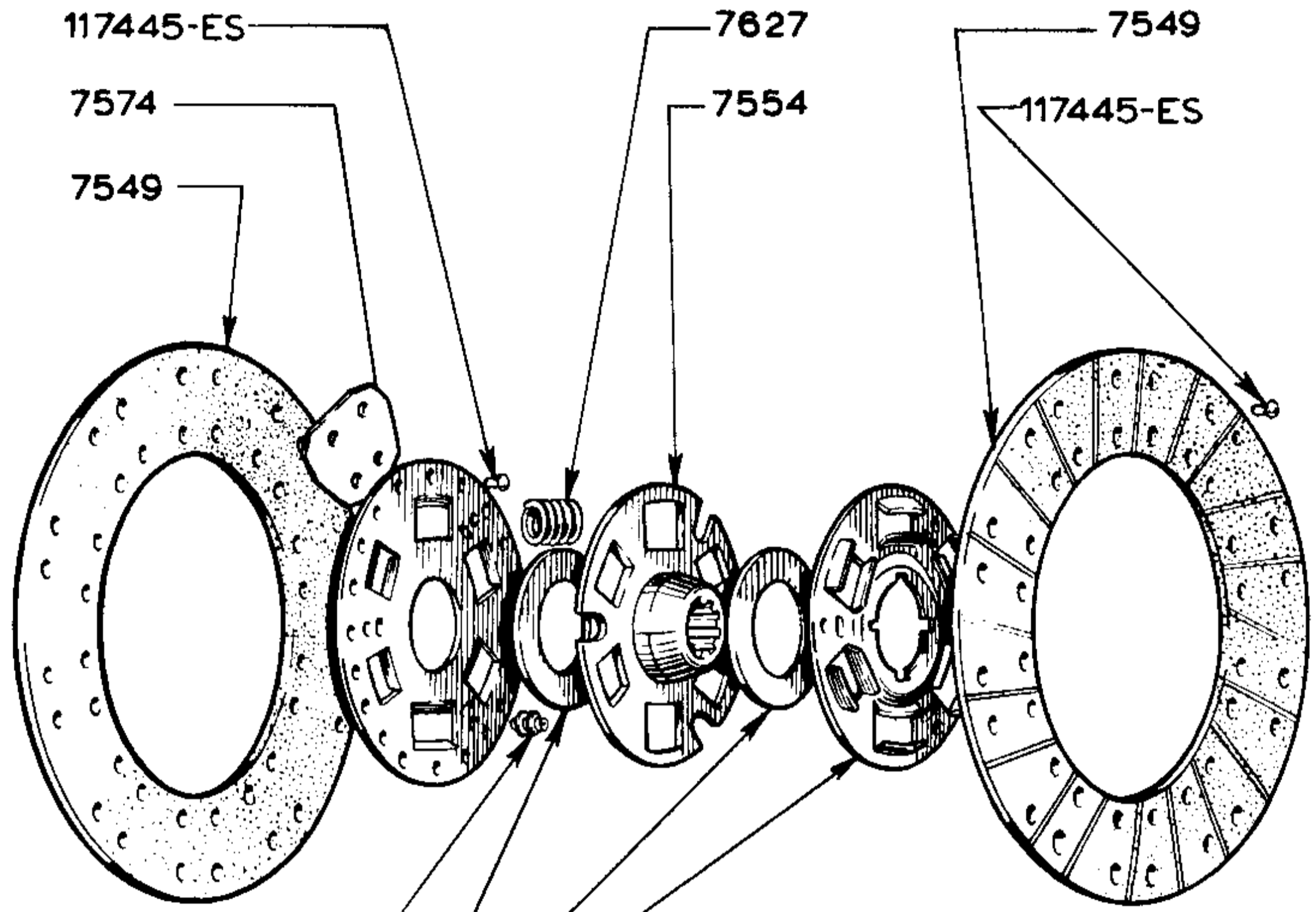
● Items marked thus not serviced separately  
 Dealer to order next assy.



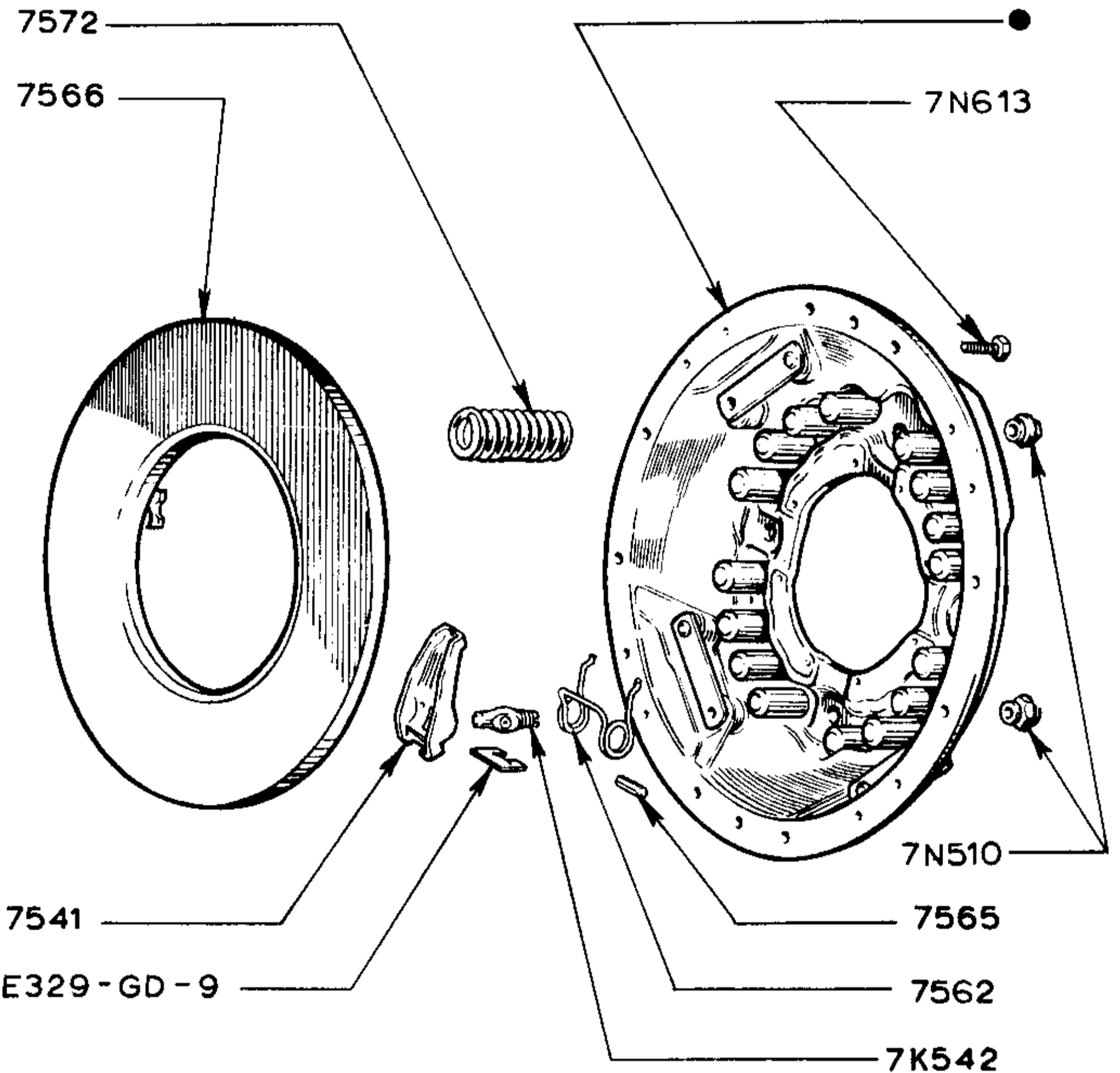
508E-7563-A

CLUTCH DISC AND PRESSURE PLATE-12"





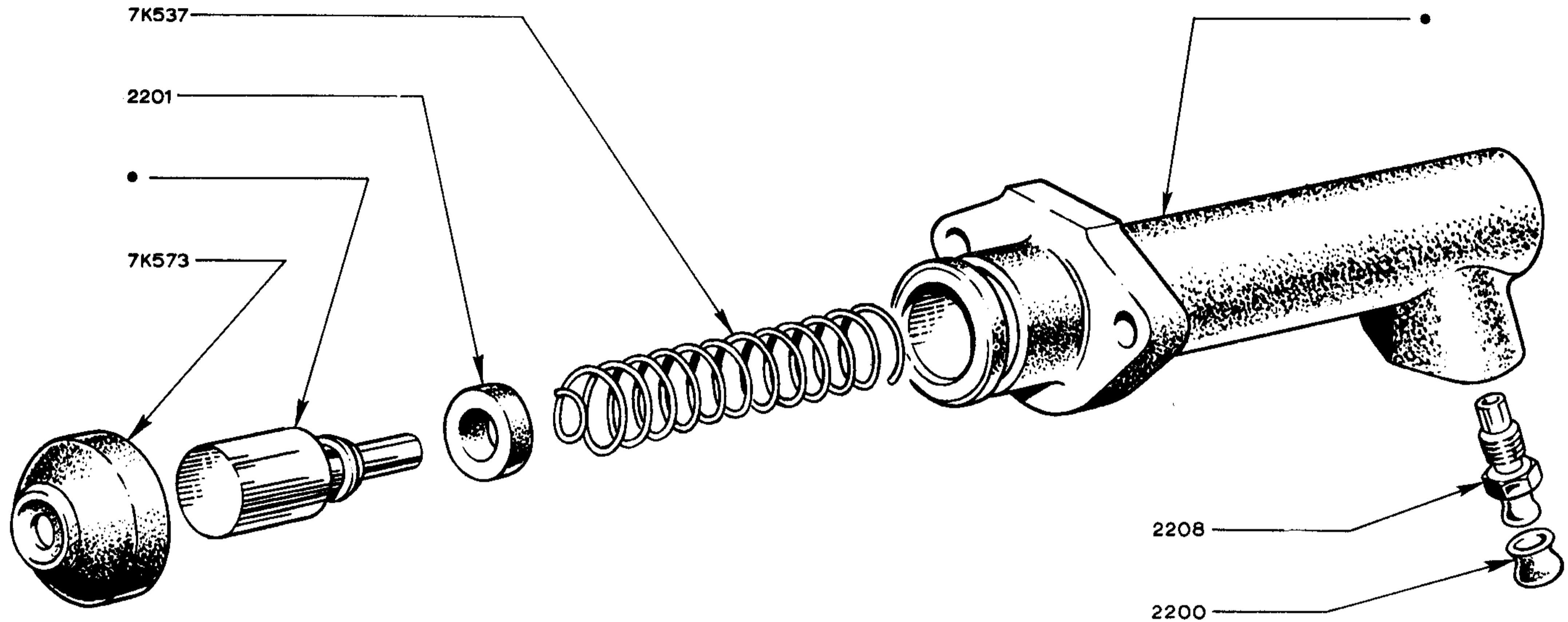
2000E-7550-D



2000E-7563-A

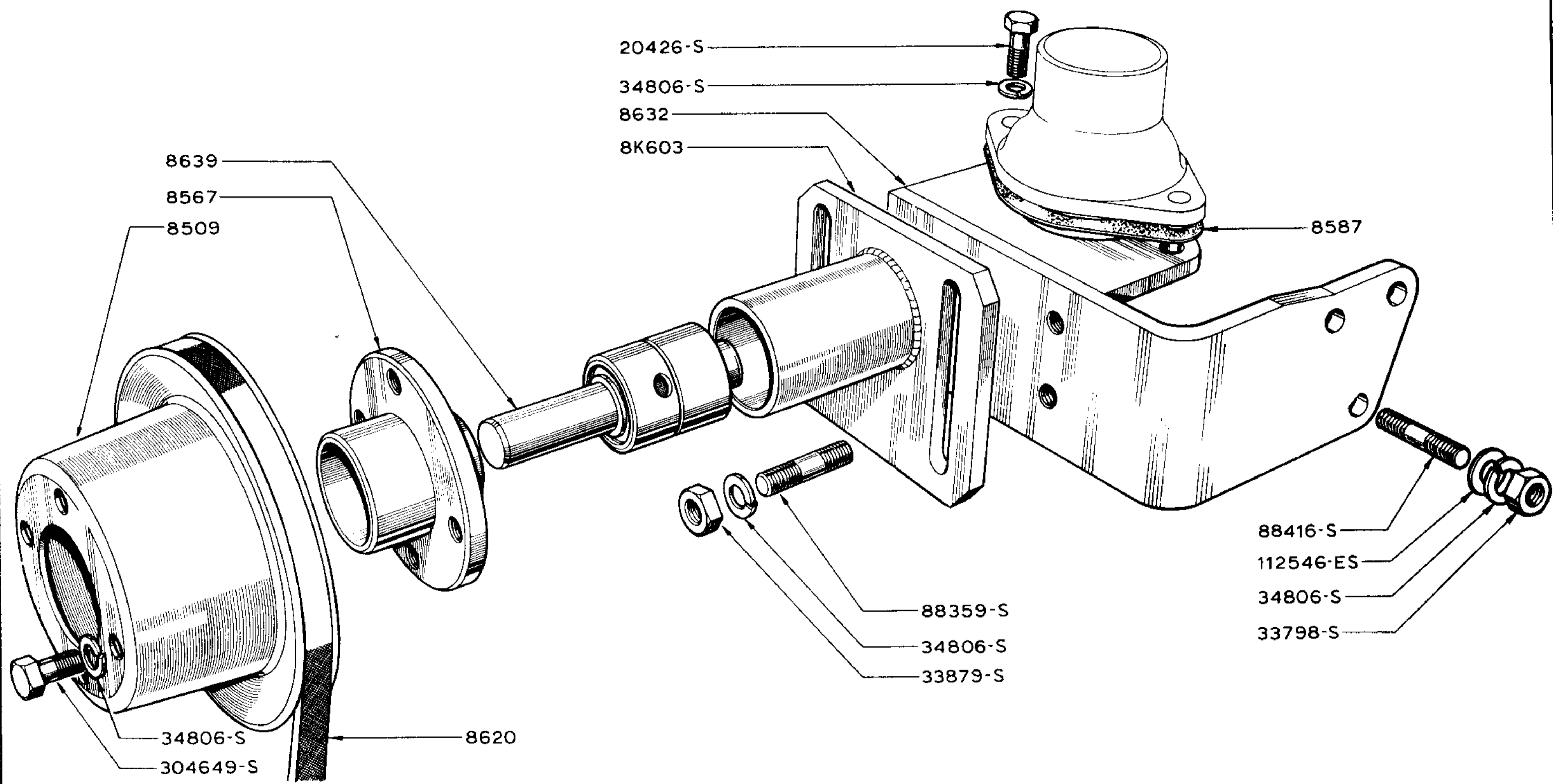
● Items marked thus not serviced separately

Dealer to order next assy. CLUTCH DISC AND PRESSURE PLATE-13" EXCEPT TURBO

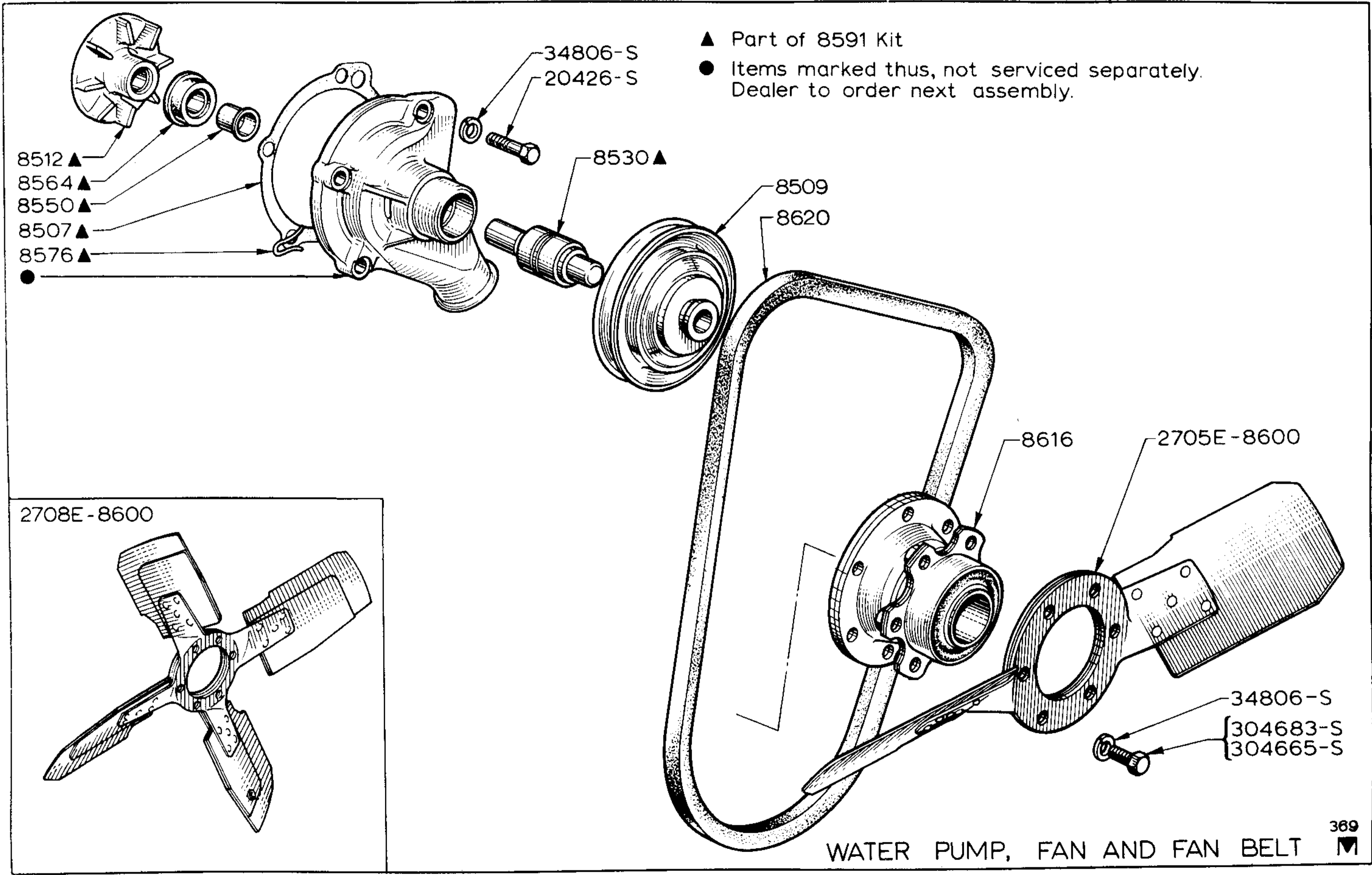


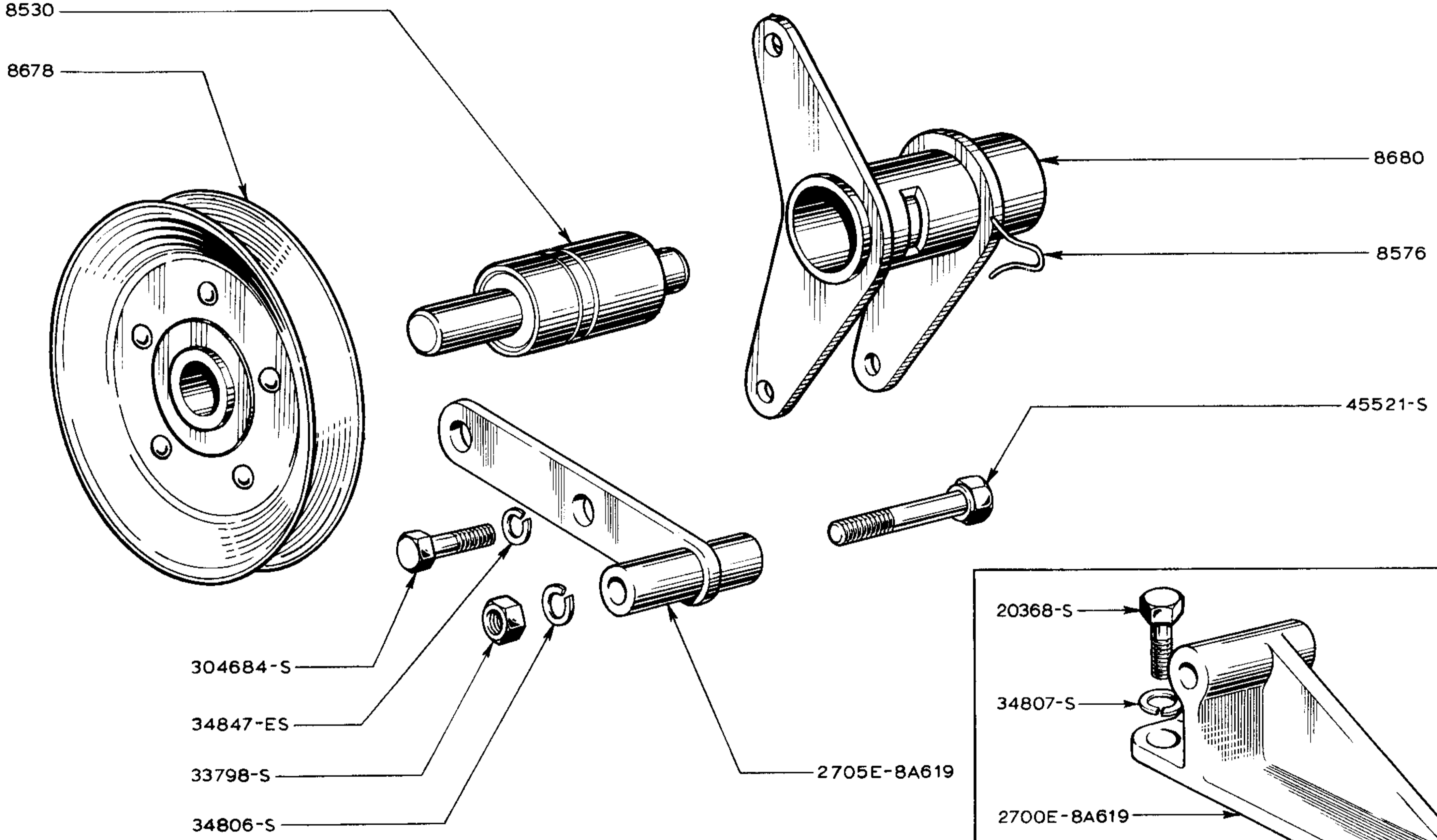
● ITEMS MARKED THUS ARE NOT SERVICED SEPARATELY. DEALER TO ORDER NEXT ASSY.

SLAVE CYLINDER-WITH TURBO



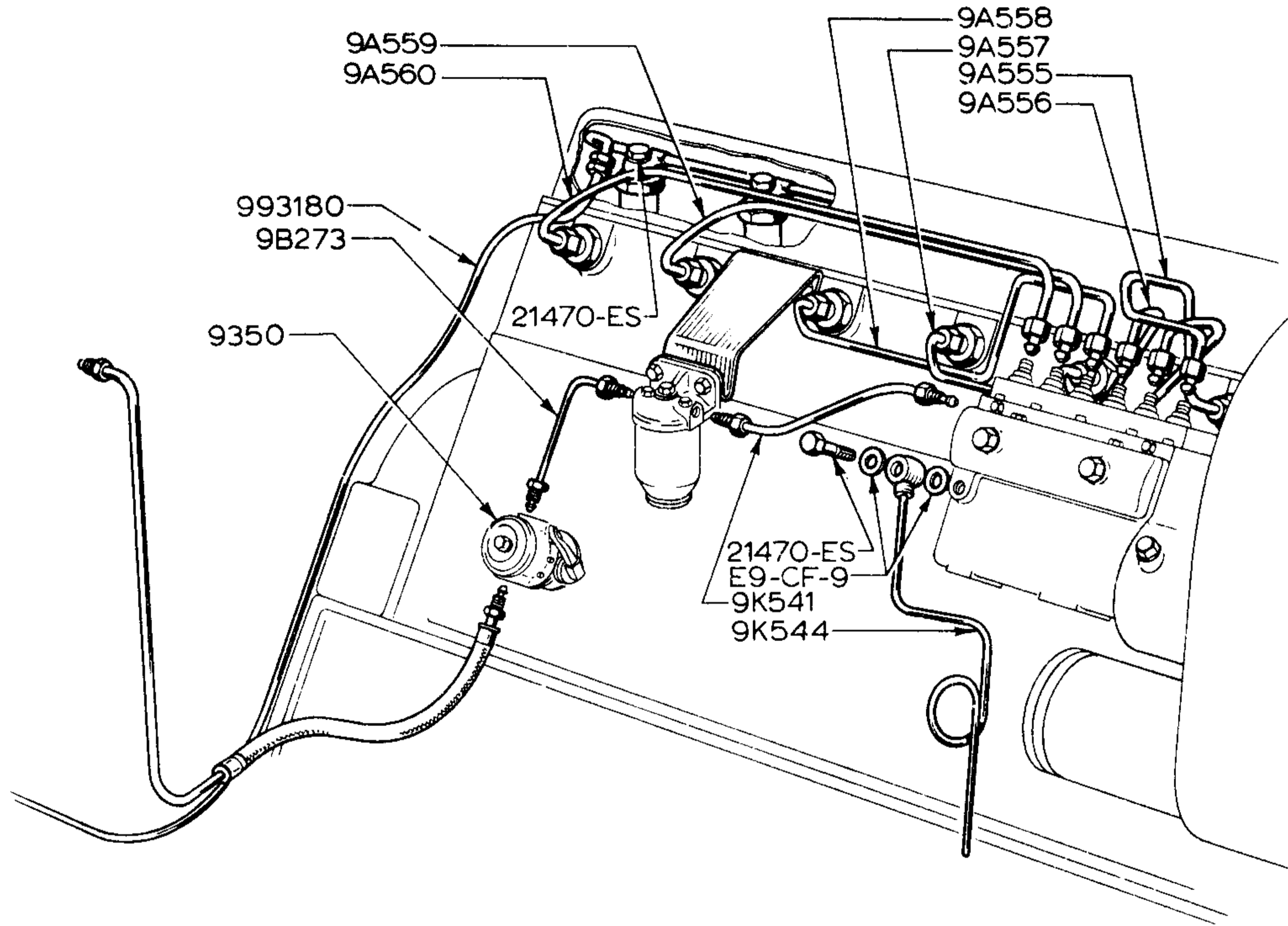
HIGH LEVEL FAN





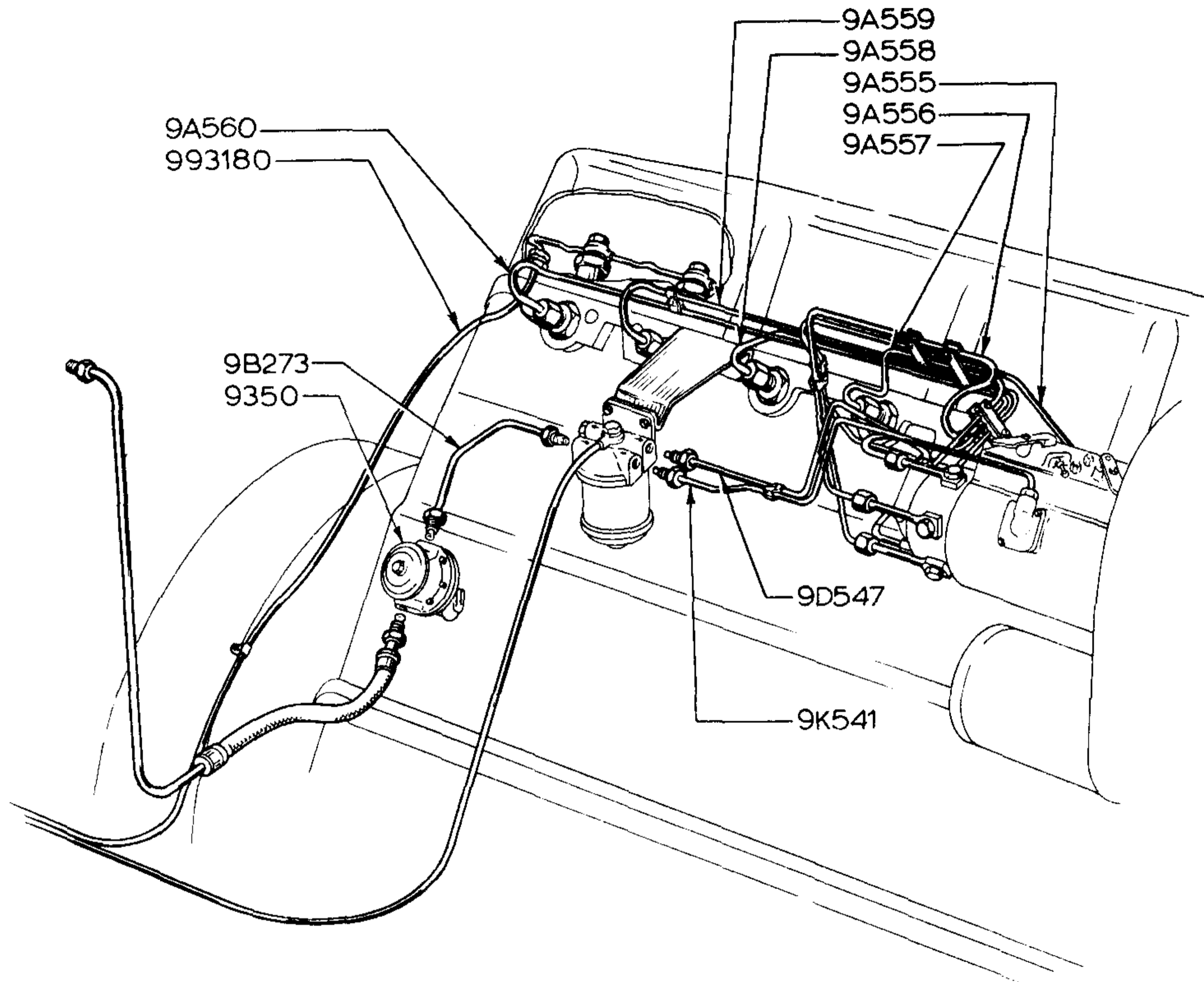
IDLER PULLEY



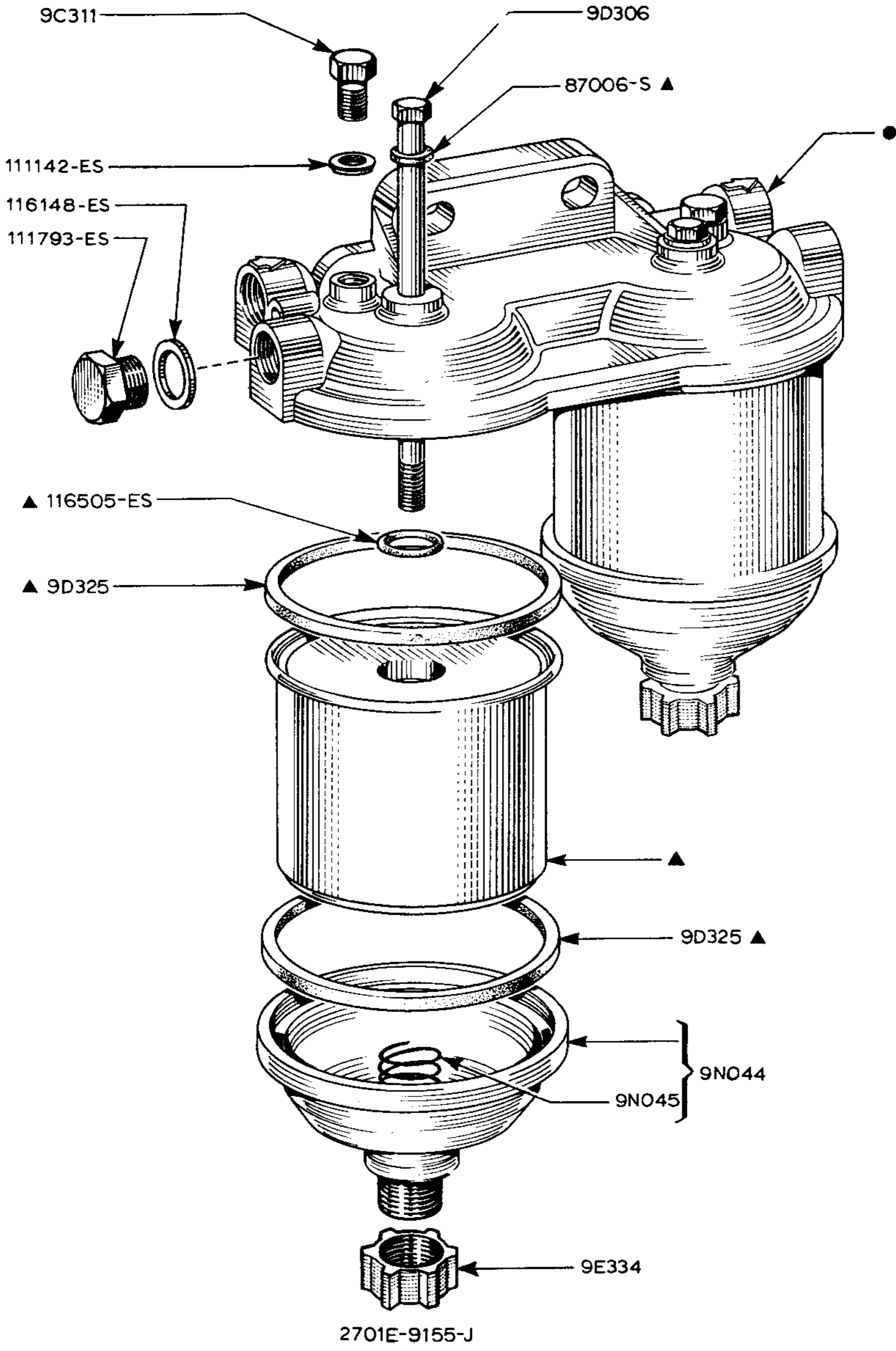


FUEL SYSTEM - 330 cubic inch





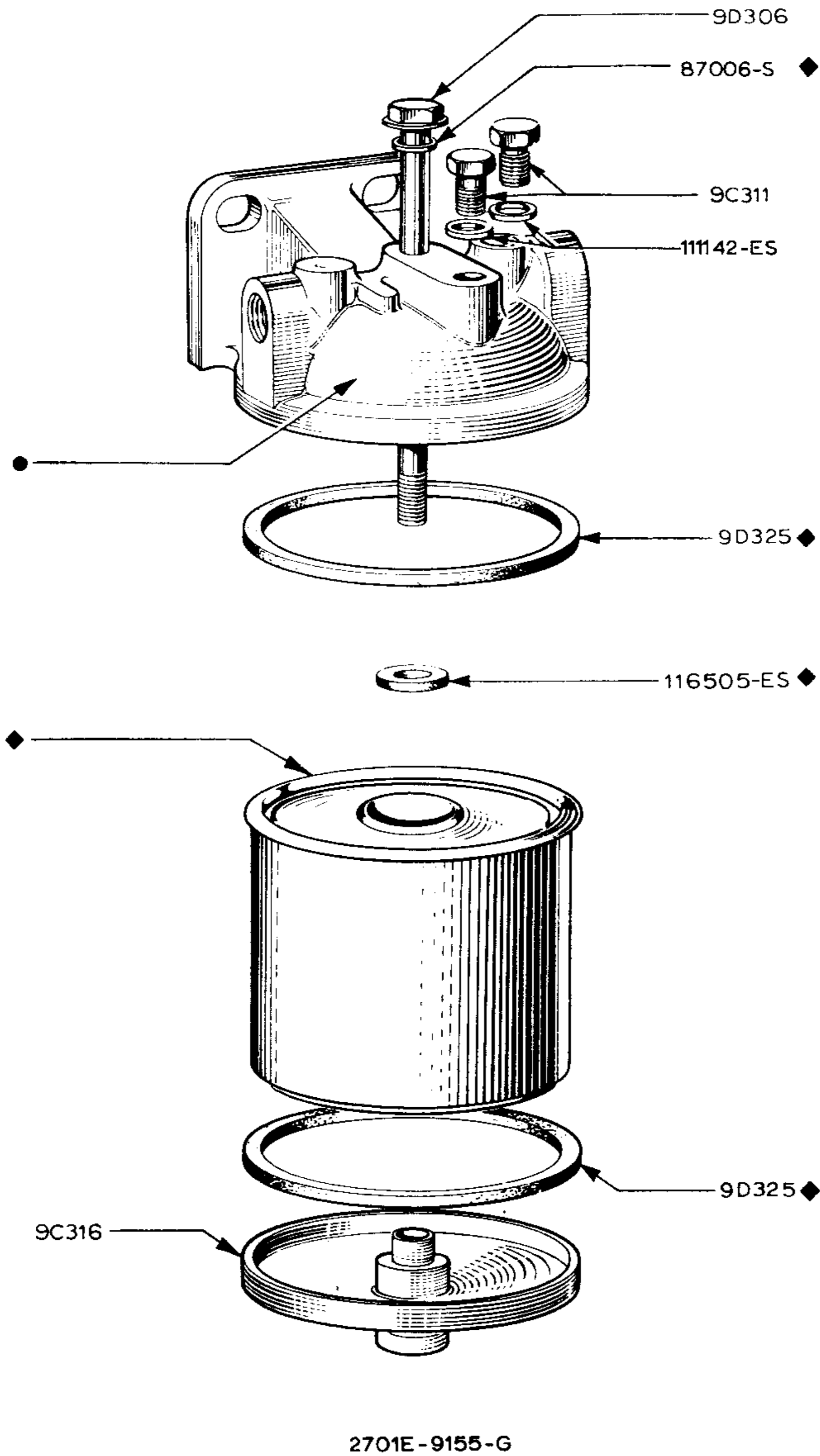
FUEL SYSTEM-360 cubic inch



● ITEMS MARKED THUS ARE NOT SERVICED SEPERATELY DEALER TO ORDER NEXT ASSY.

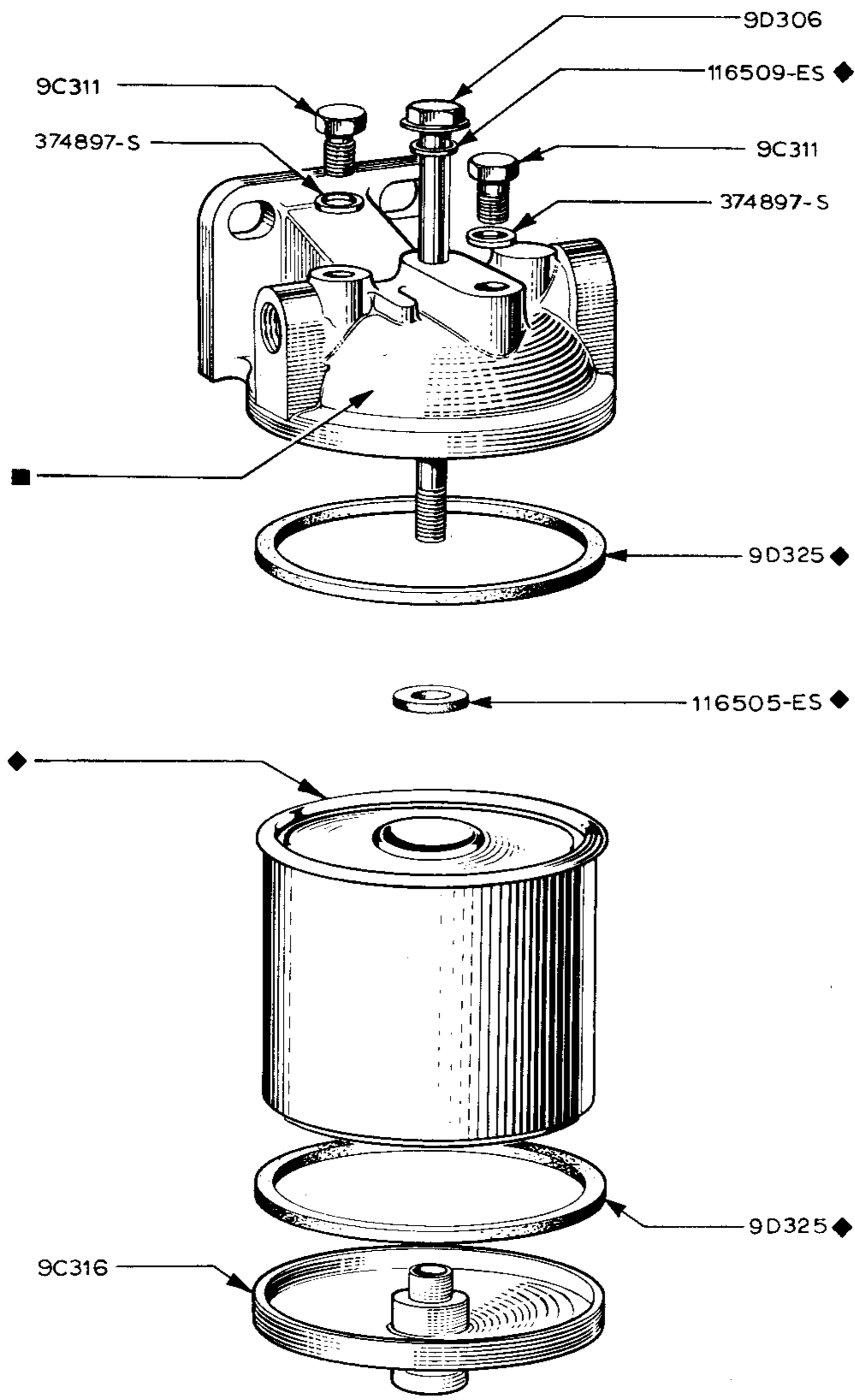
▲ PART OF 2701E - 9150-B KIT

### FUEL OIL FILTER



- ITEMS MARKED THUS ARE NOT SERVICED SEPARATELY. DEALER TO ORDER NEXT ASSY.
- ◆ PART OF 2701E-9150-B KIT

### FUEL OIL FILTER

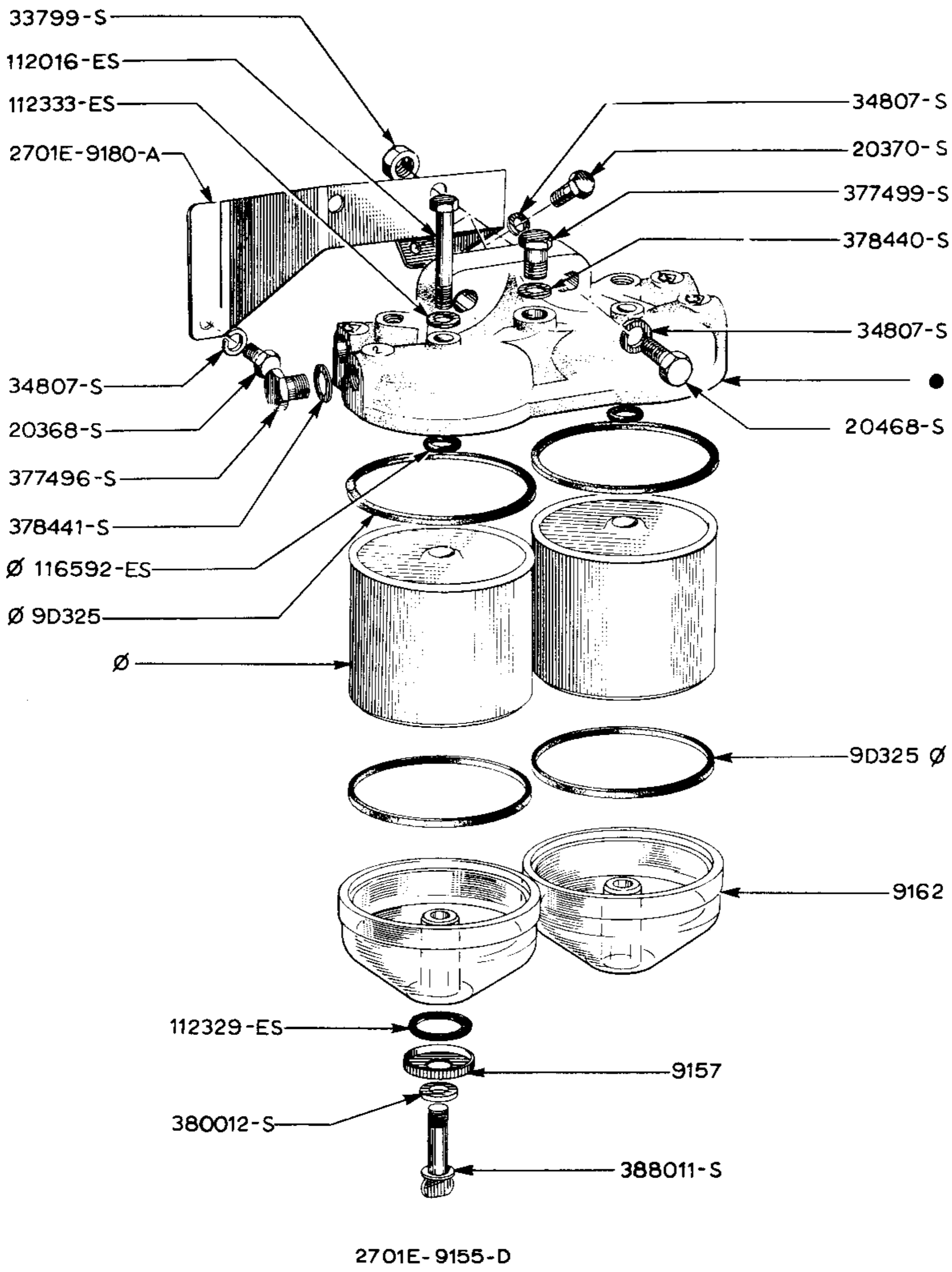


2701E-9155-A

- PART OF 9155 ASSY.
- ◆ PART OF 2701E-9150-A KIT

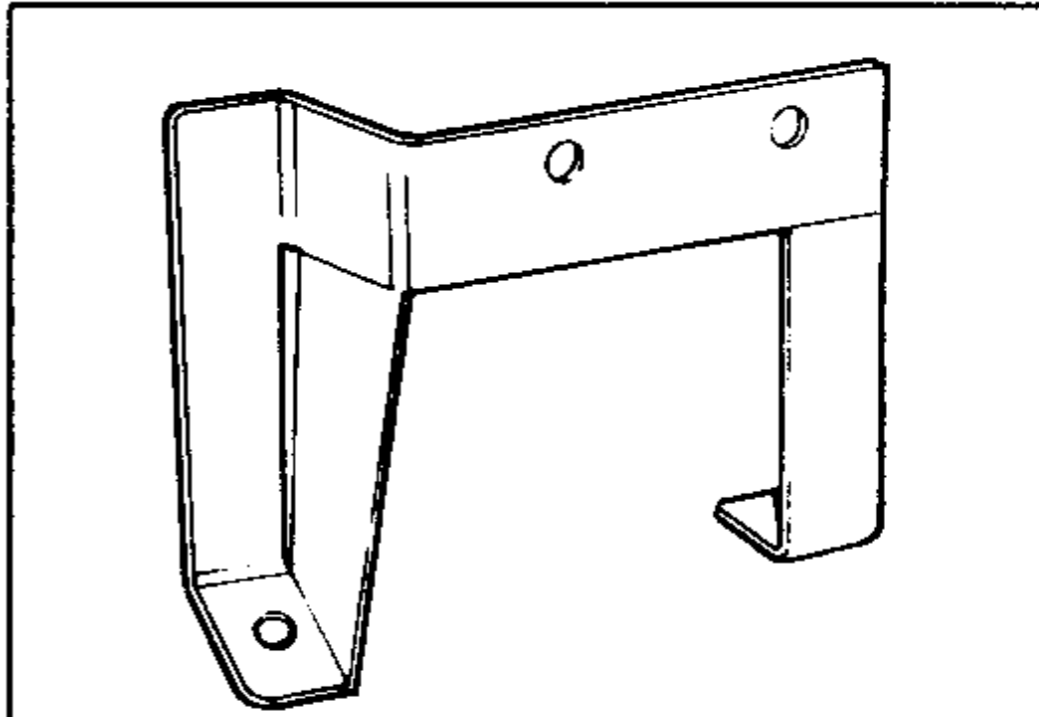
# FUEL OIL FILTER



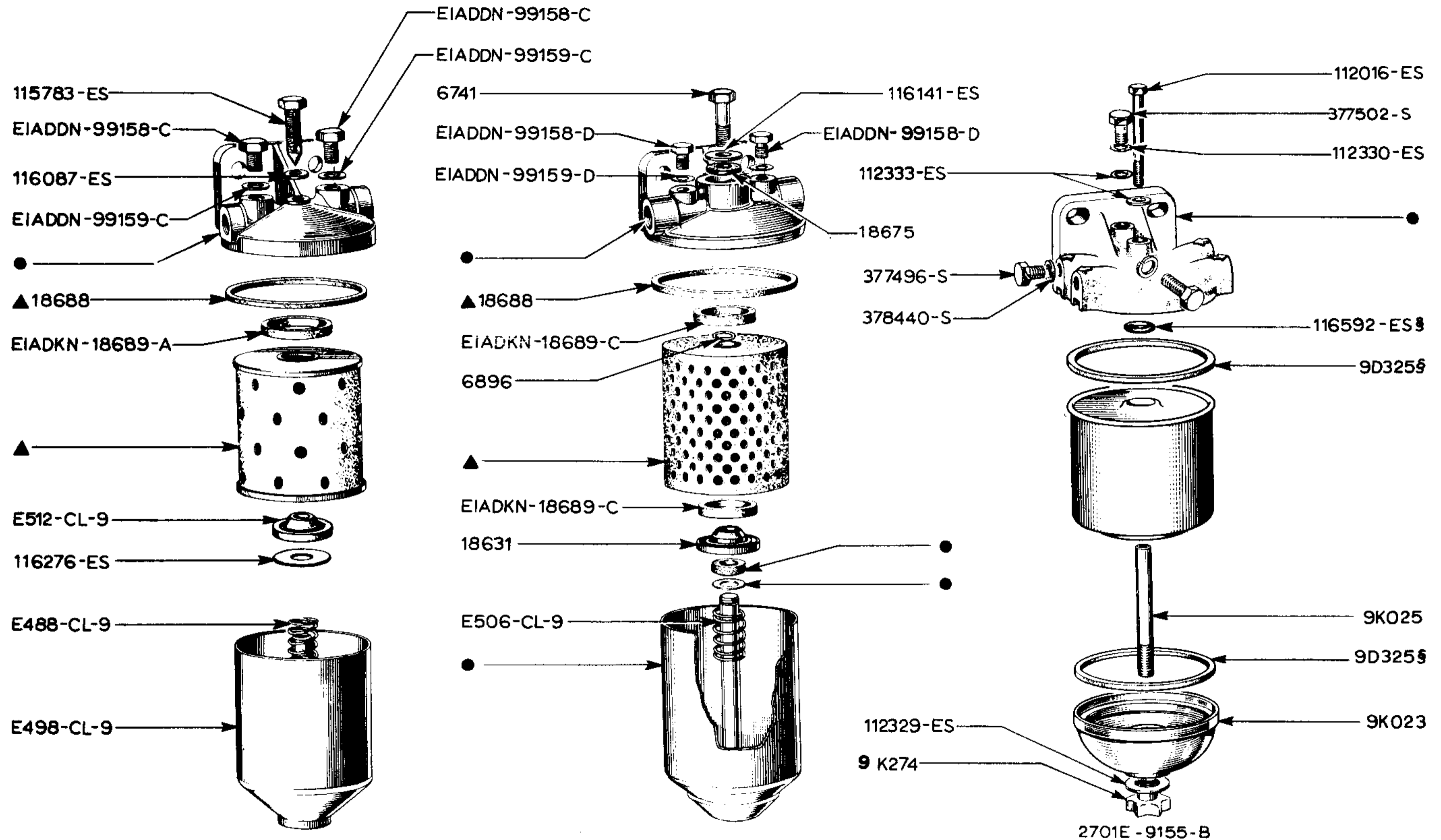


Ø PART OF 9150 KIT  
 ● ITEMS MARKED THUS NOT SERVICED SEPARATELY.  
 DEALER TO ORDER NEXT ASSY.

FUEL OIL FILTERS



2706E-9180-A



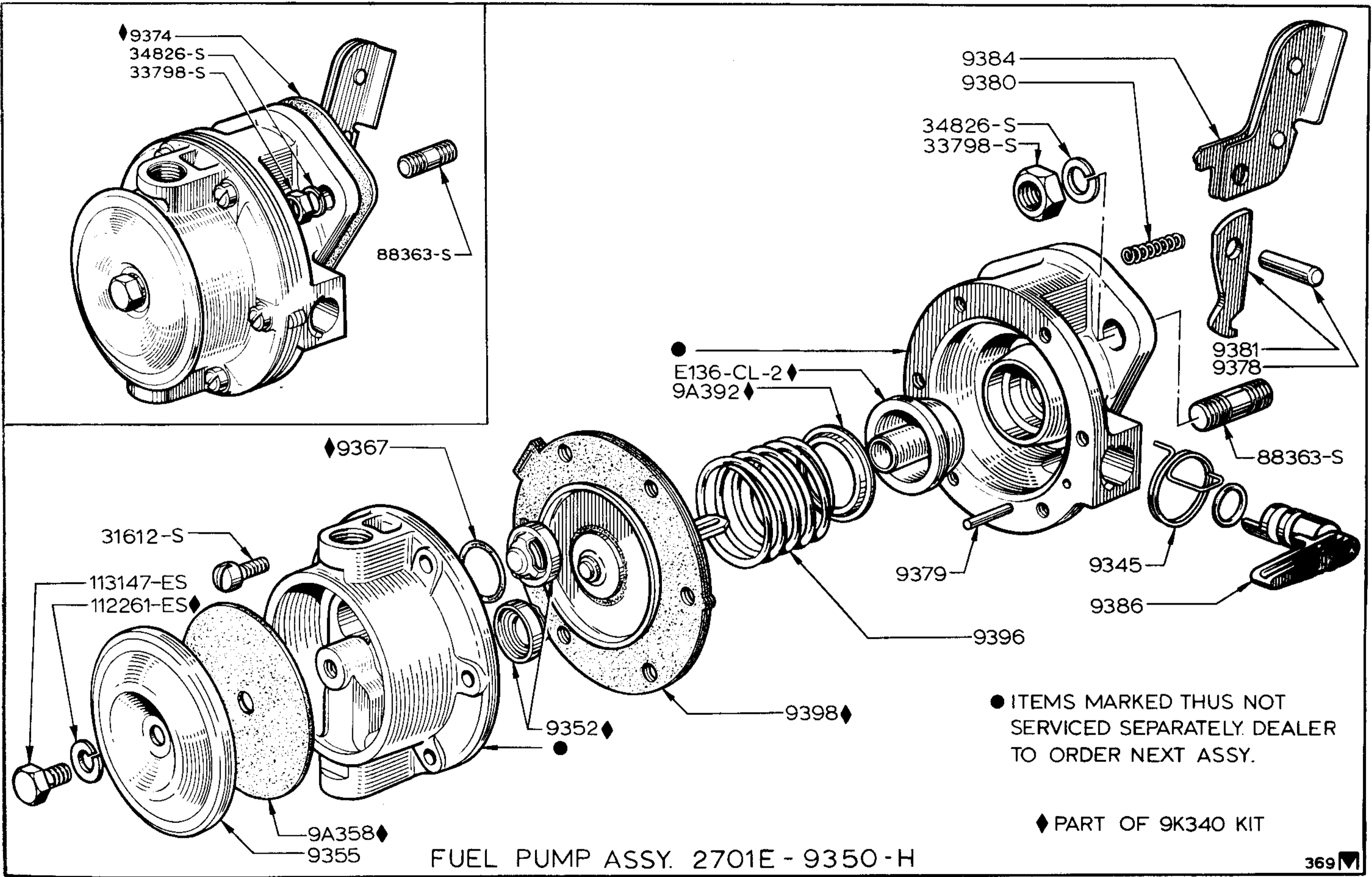
EIADDN-9155-A(A.C. TYPE)

EIADDN-9155-A(TECALEMIT)

● ITEMS MARKED THIS ARE NOT SERVICED SEPARATELY.  
 DEALER TO ORDER NEXT ASSY.

FUEL OIL FILTERS

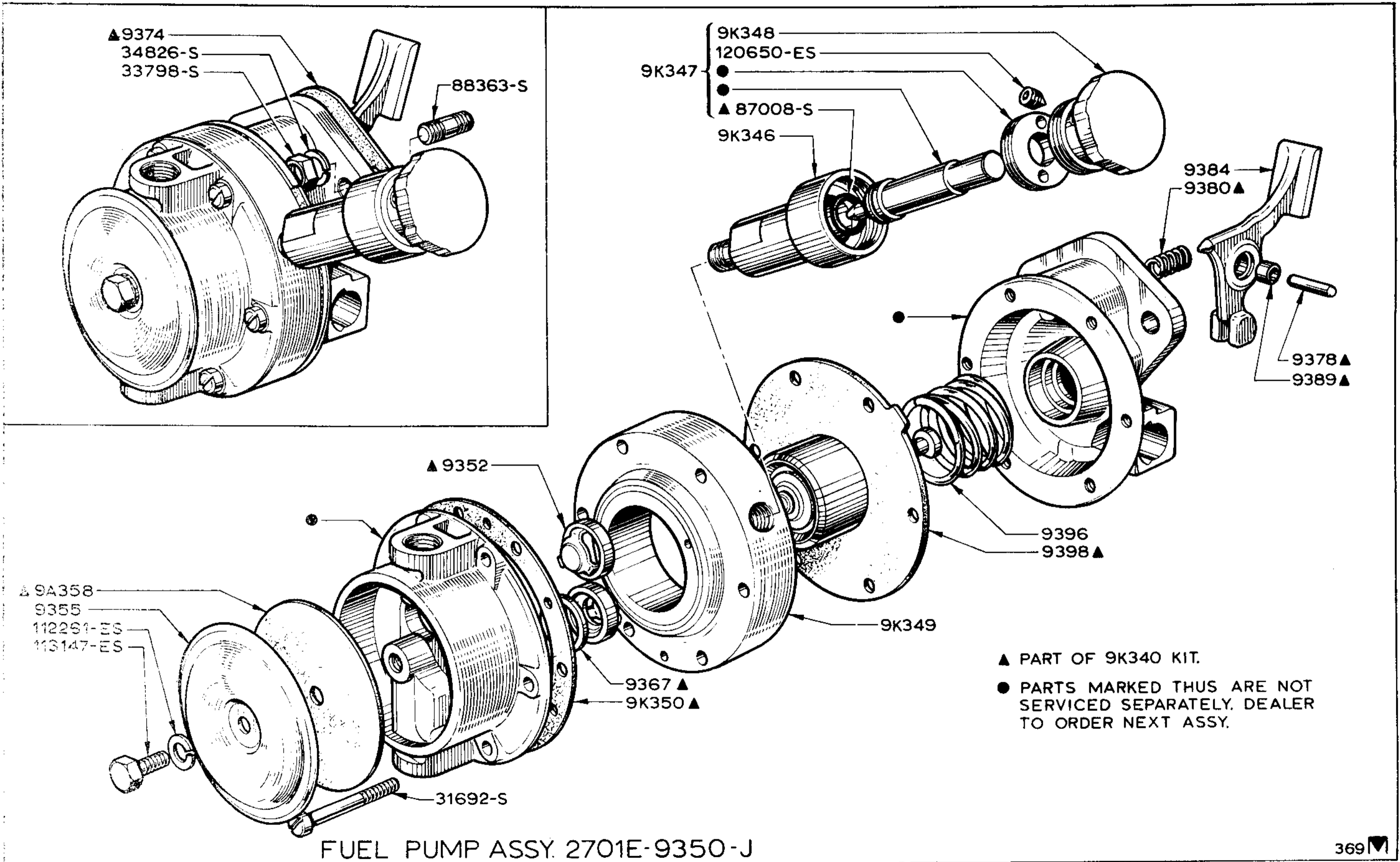
§ PART OF 2704E-9150 KIT  
 ▲ PART OF EIADDN-99162-B KIT



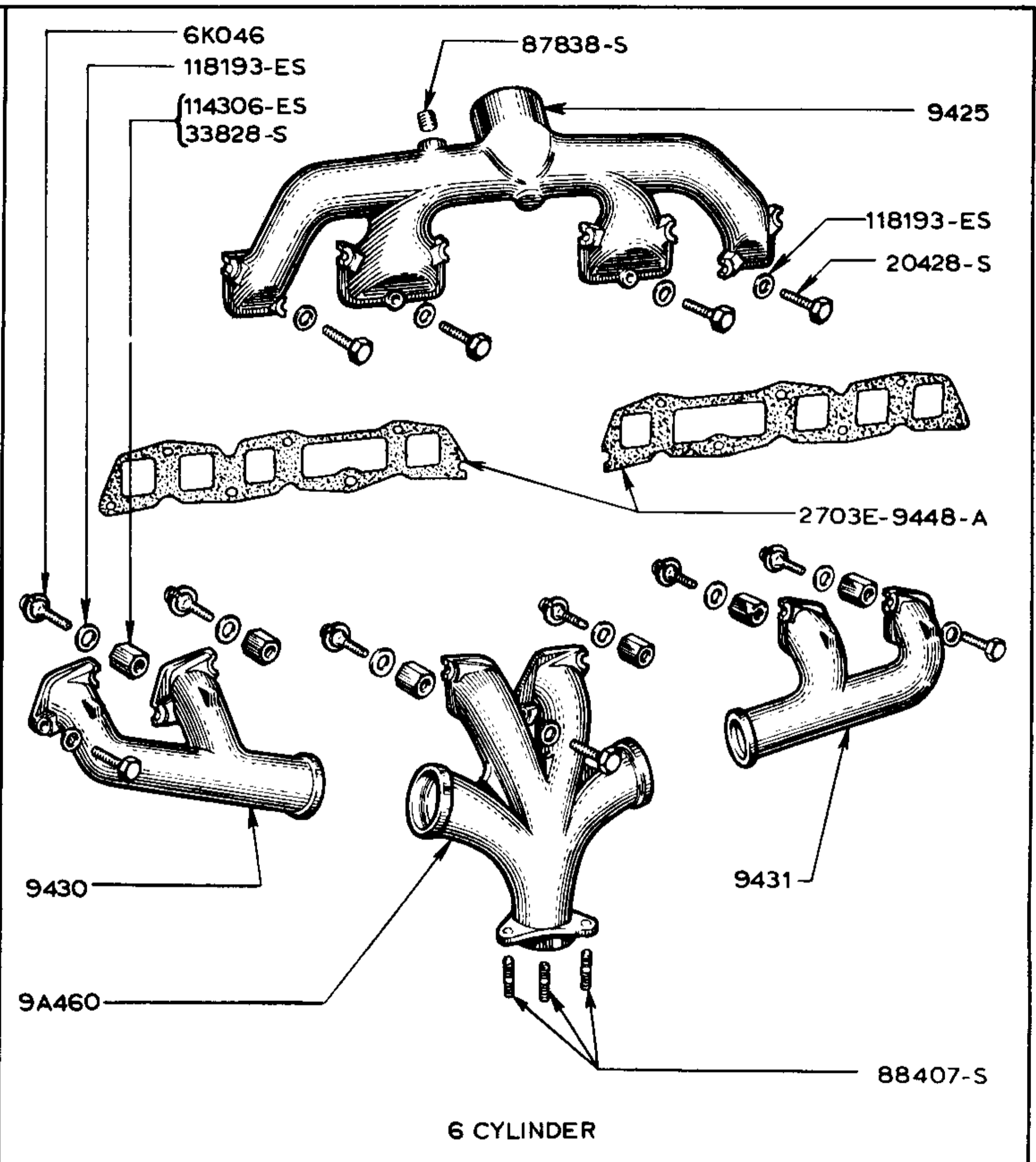
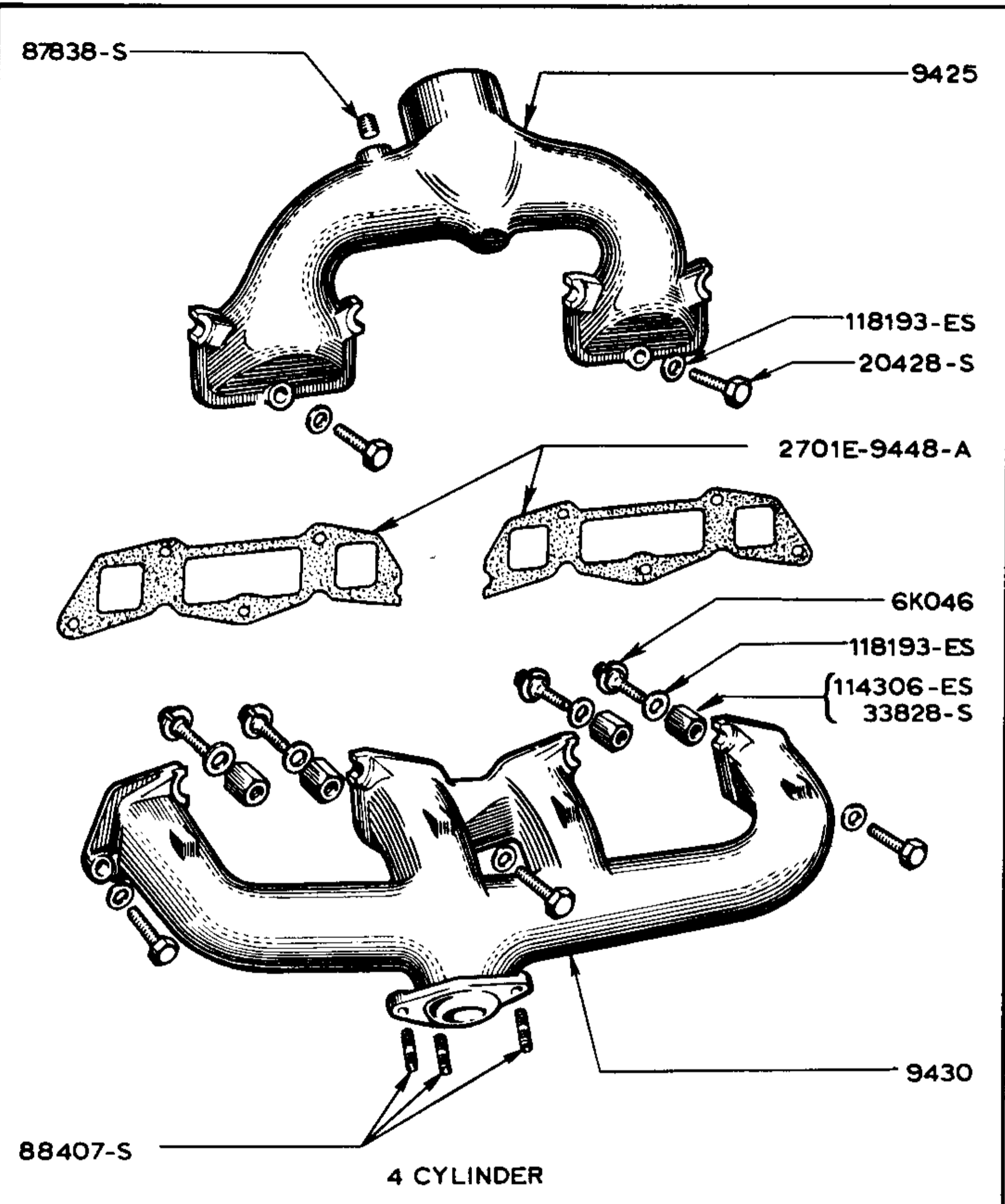
● ITEMS MARKED THUS NOT SERVICED SEPARATELY. DEALER TO ORDER NEXT ASSY.

◆ PART OF 9K340 KIT

FUEL PUMP ASSY. 2701E - 9350-H

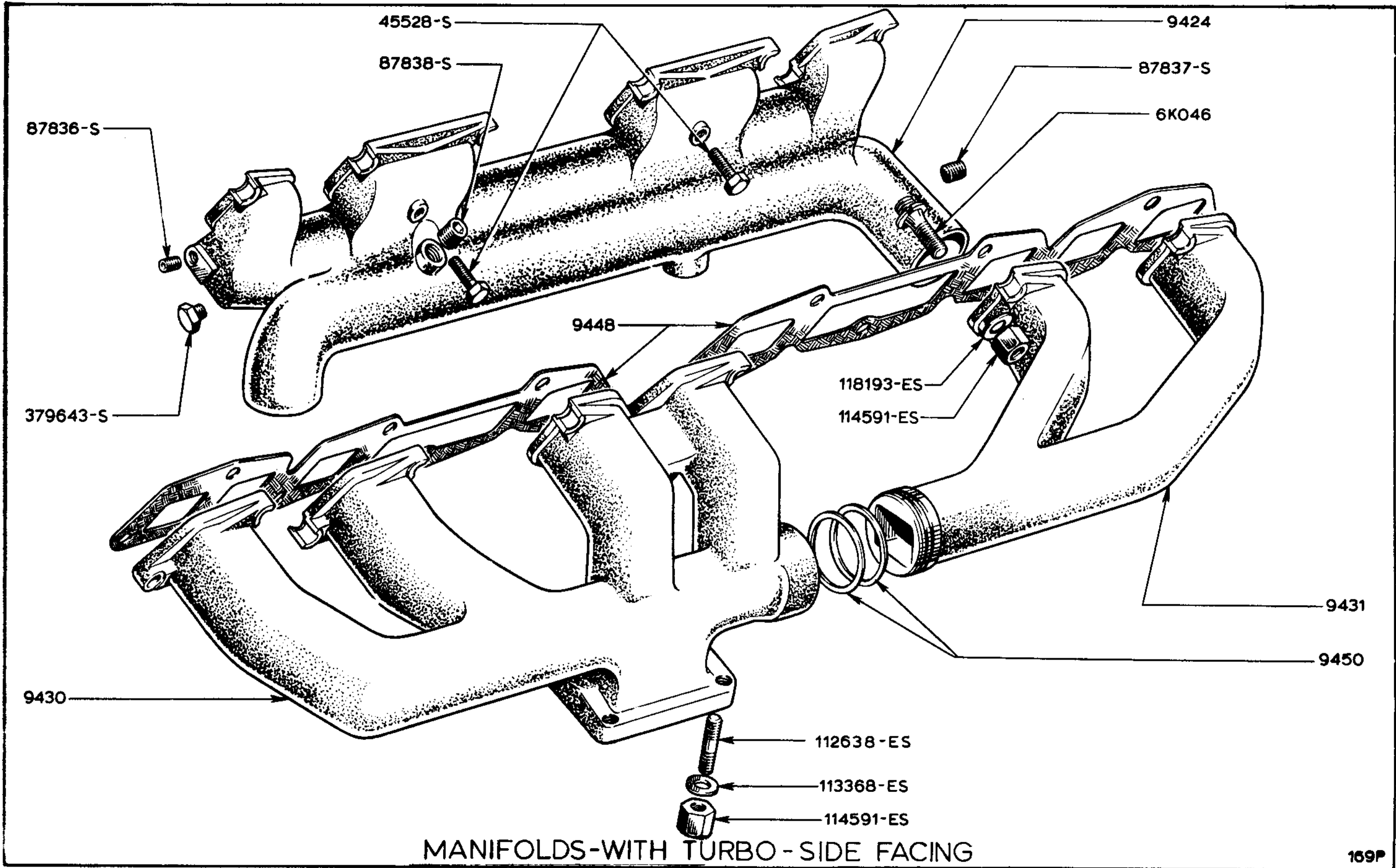


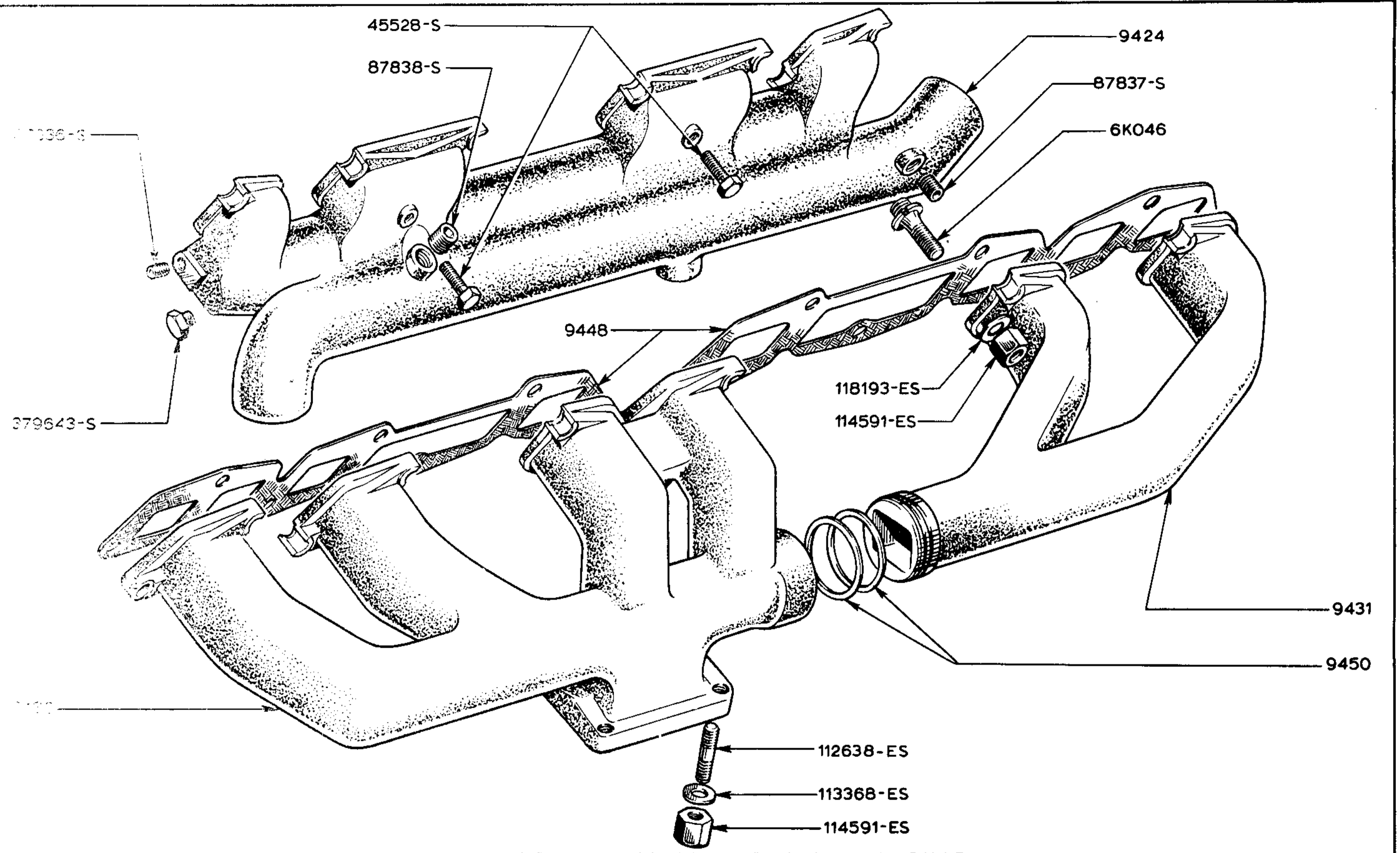




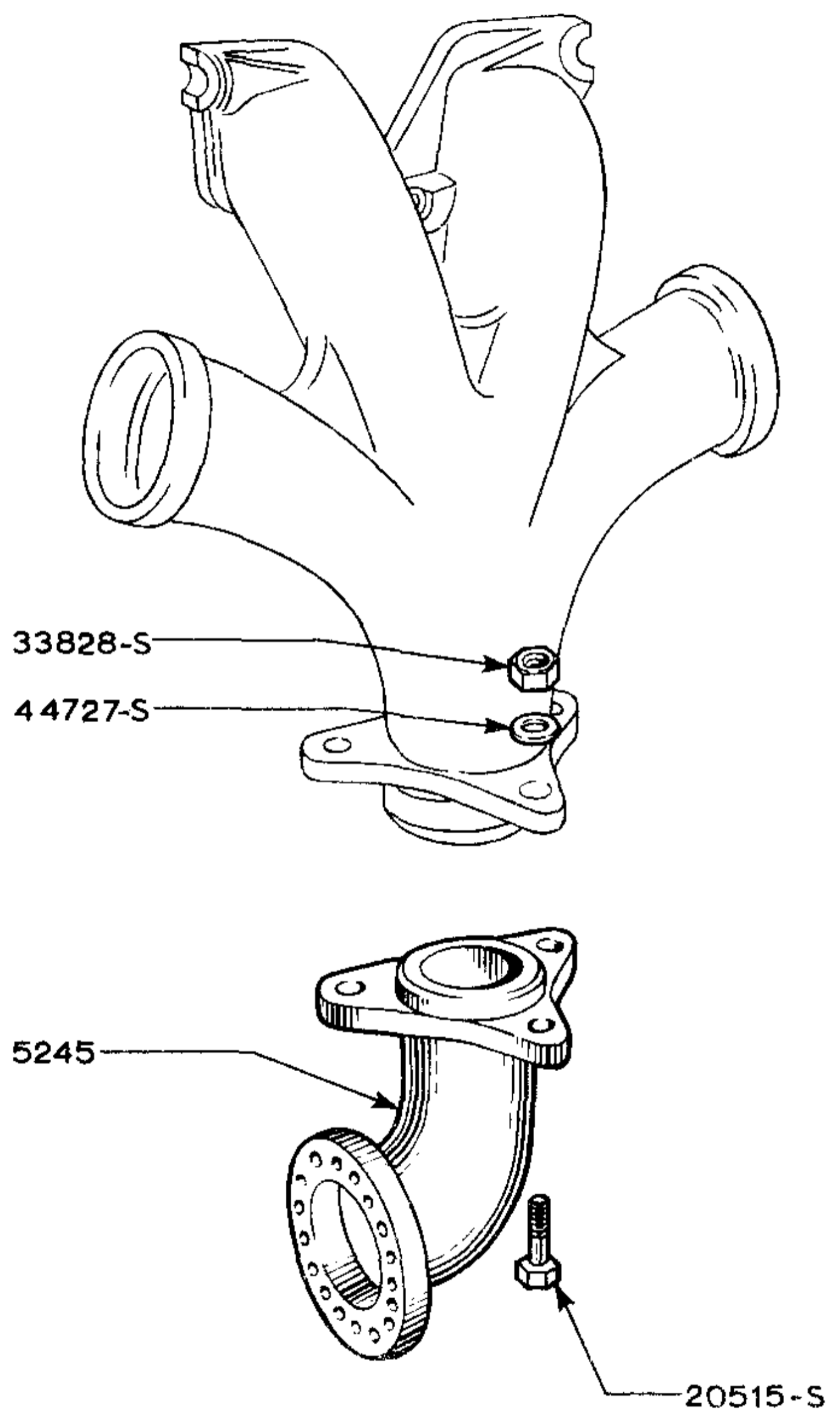
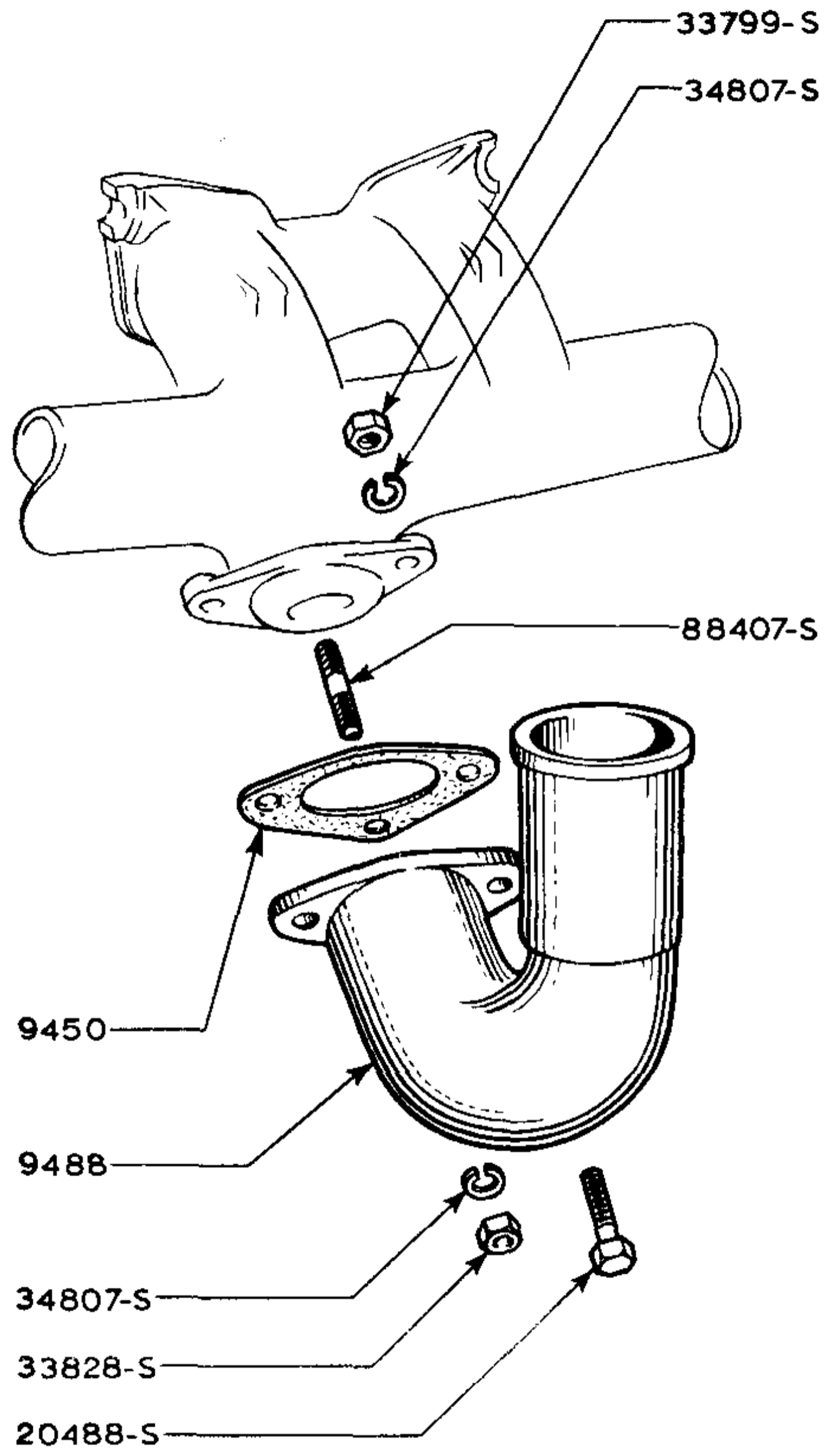
MANIFOLDS - EXCEPT WITH TURBO



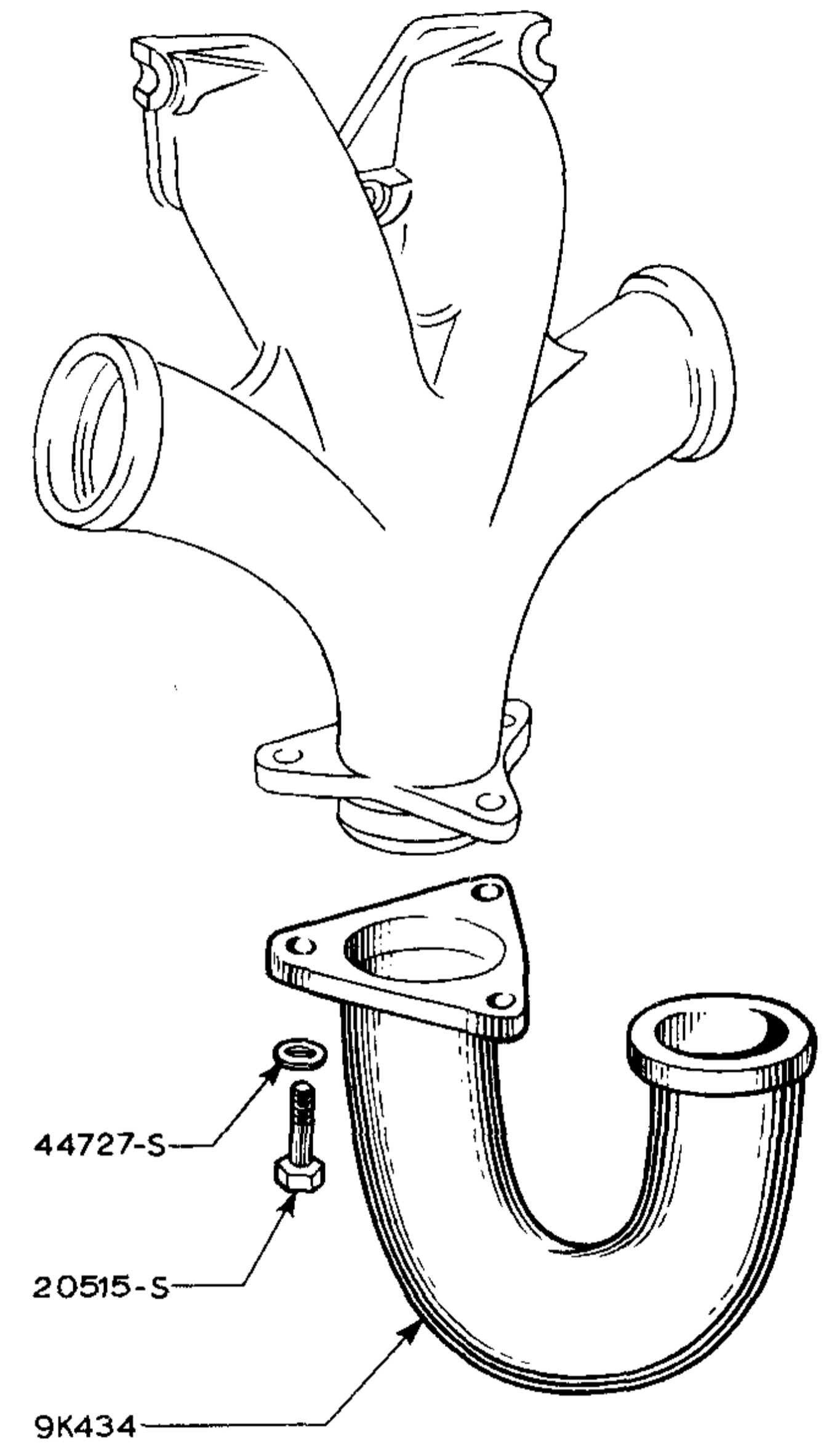




MANIFOLDS-WITH TURBO-REAR FACING



MANIFOLD ADAPTORS



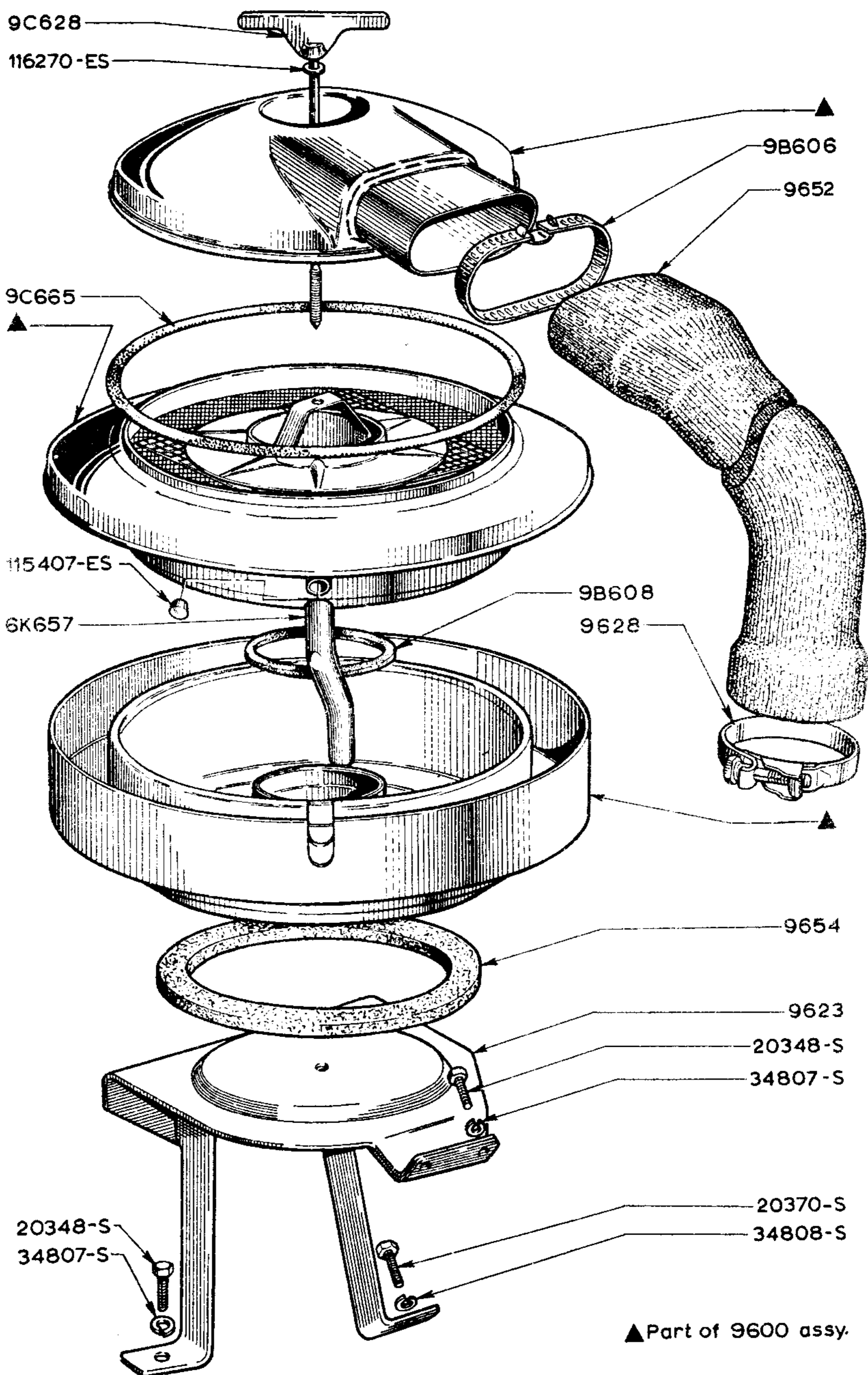






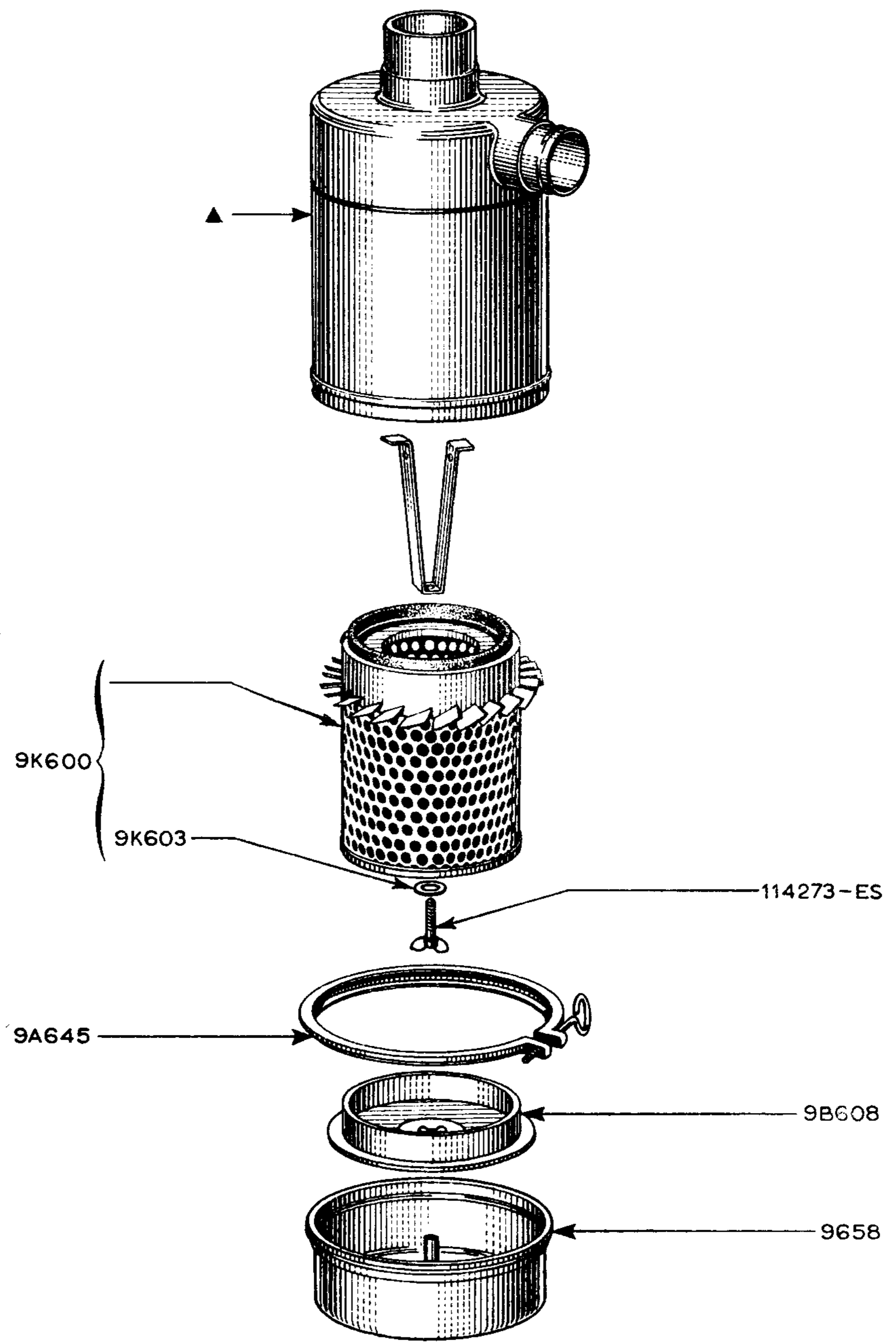






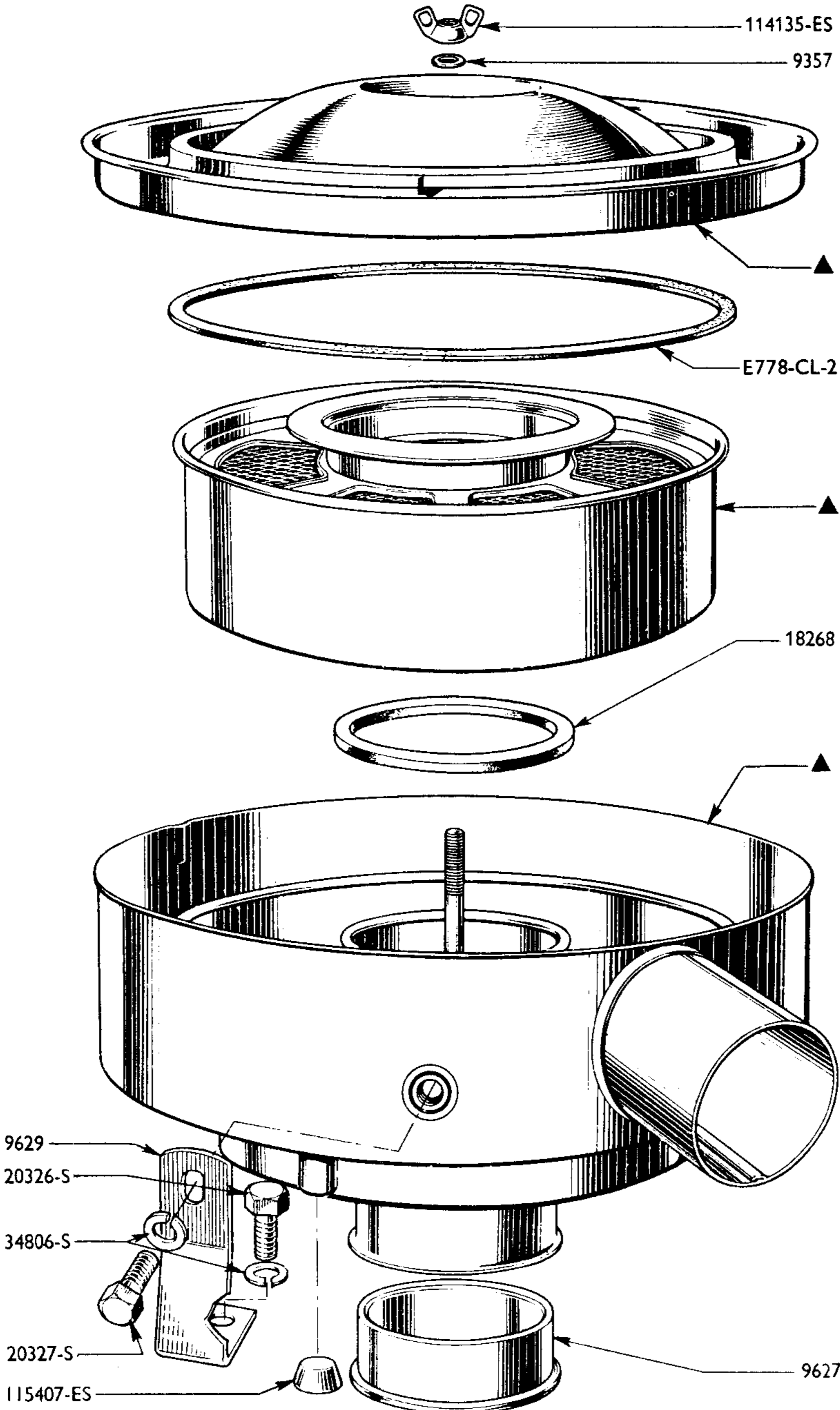
AIR CLEANER ASSY  
2706E-9600-A

▲ Part of 9600 assy.



▲ PART OF 9600 ASSY

### AIR CLEANER (2700E-9600- B)



9629

20326-S

34806-S

20327-S

115407-ES

▲ Part of 9600 assy.

114135-ES

9357

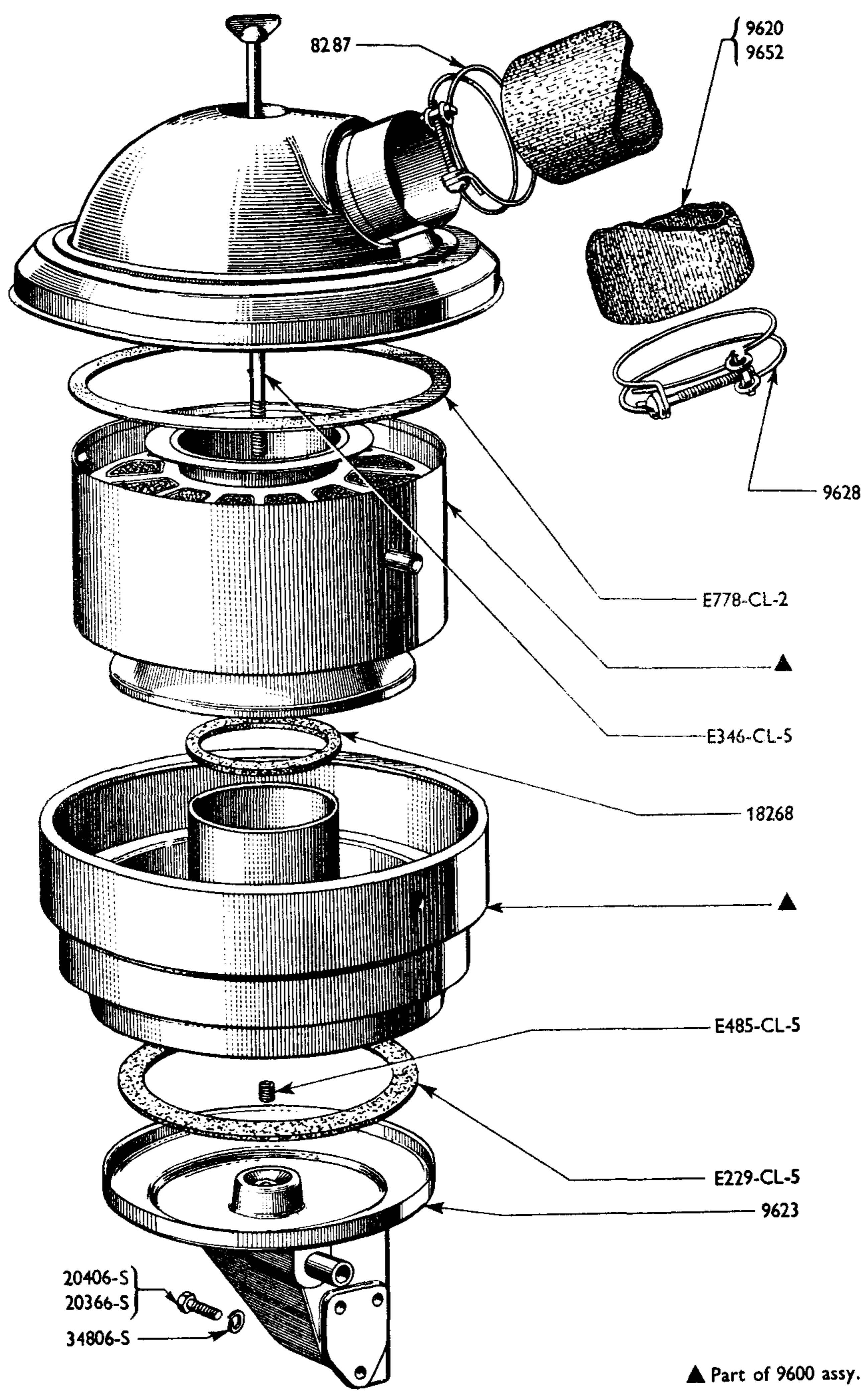
E778-CL-2

18268

9627

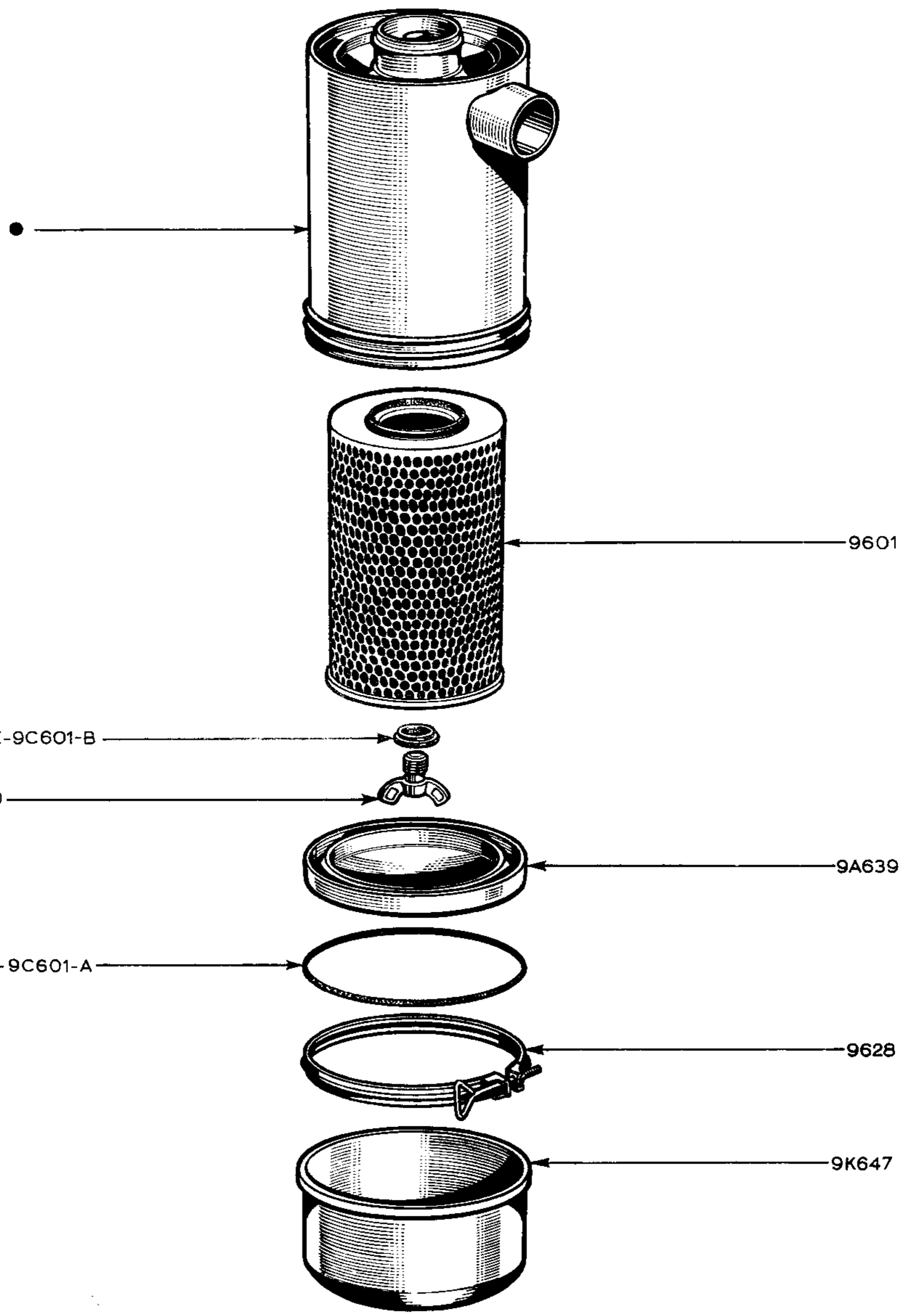
AIR CLEANER—624E-9600-A/B





AIR CLEANER-508E-9600-A/B

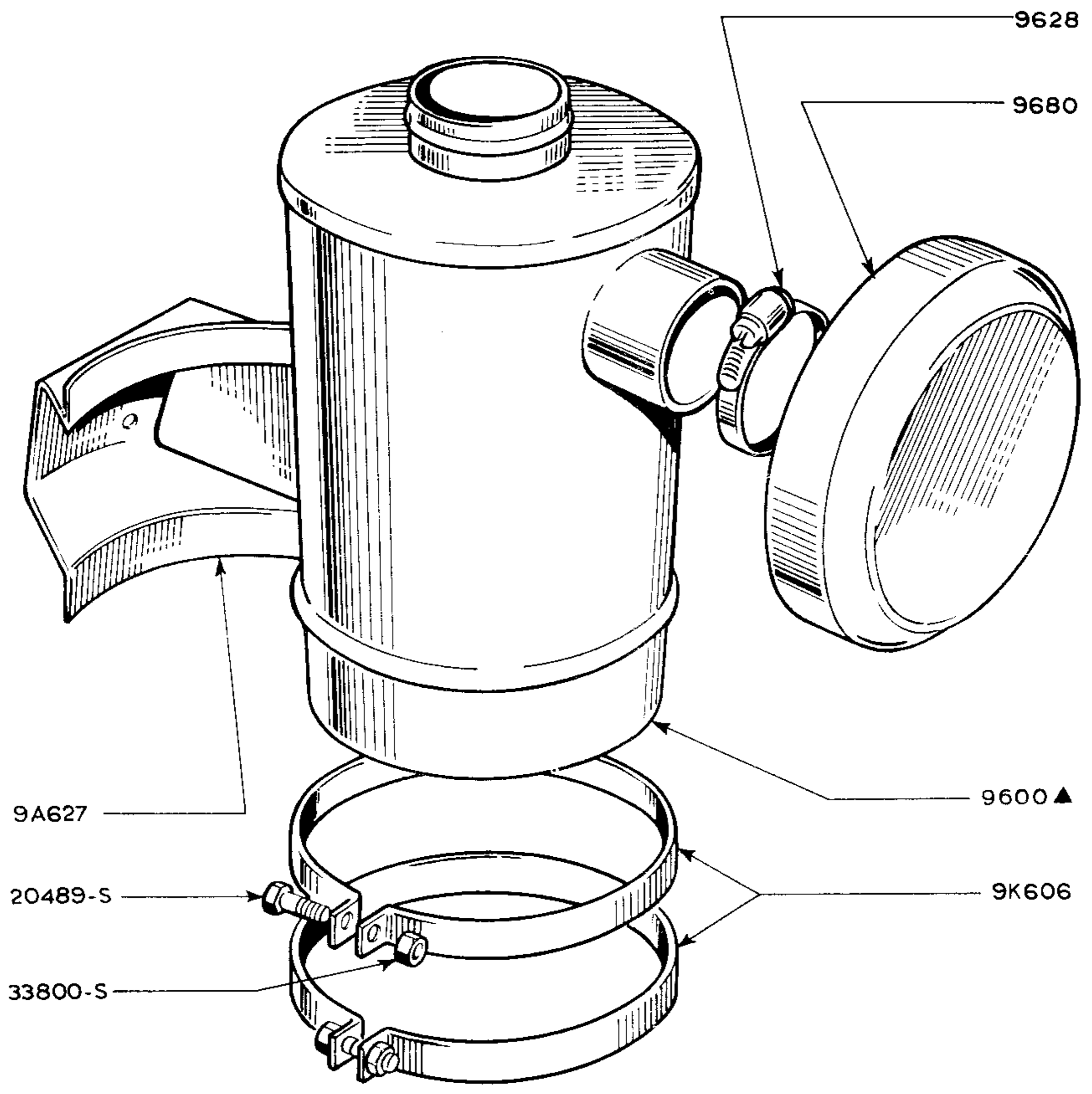




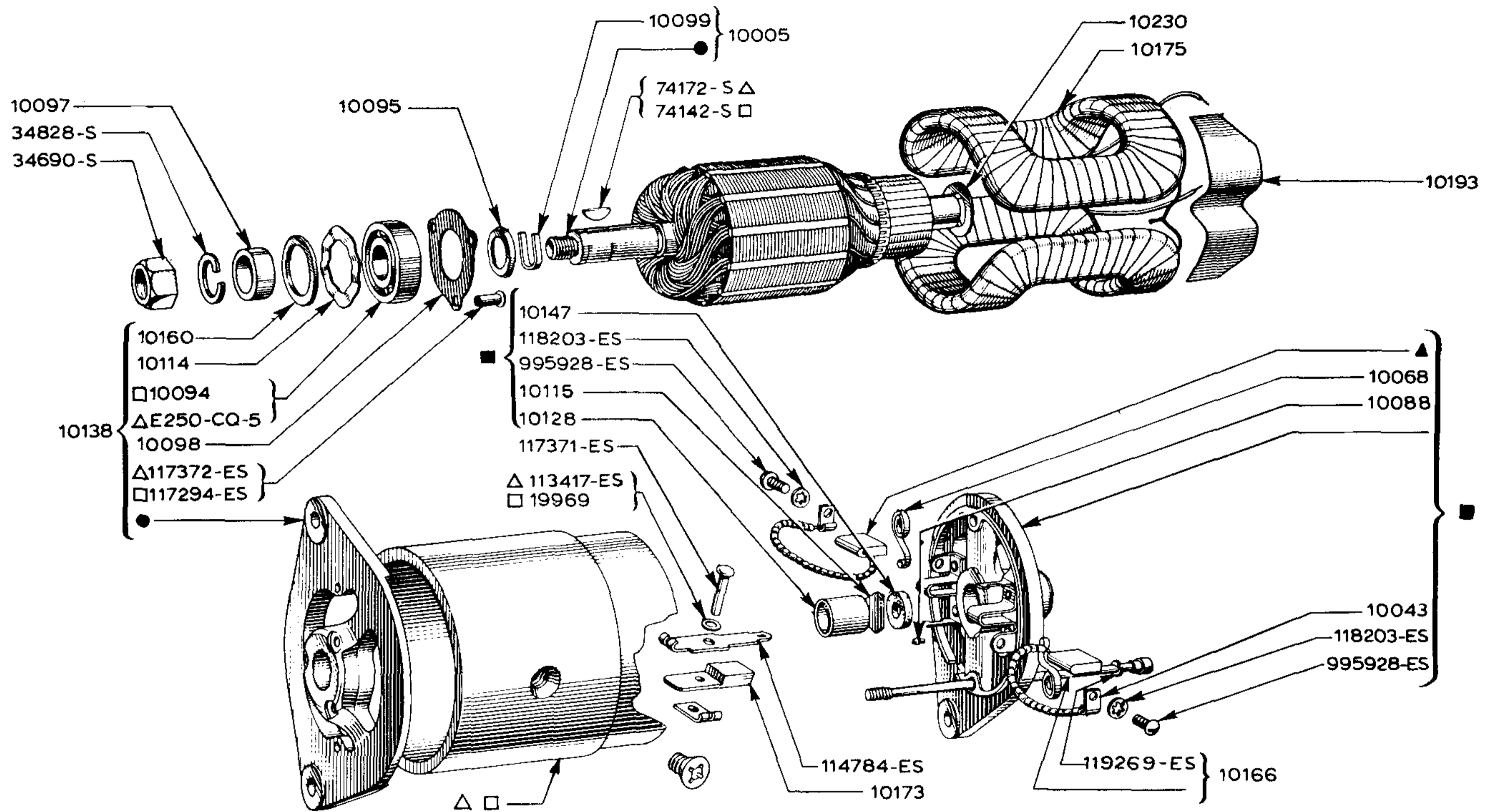
● PARTS MARKED THUS ARE NOT SERVICED SEPARATELY. DEALER TO ORDER NEXT ASSY. 2002E-9600-E.

AIR CLEANER ASSY-2002E-9600-E

▲ FOR DETAILS REFER TO ILLUSTRATION KJ



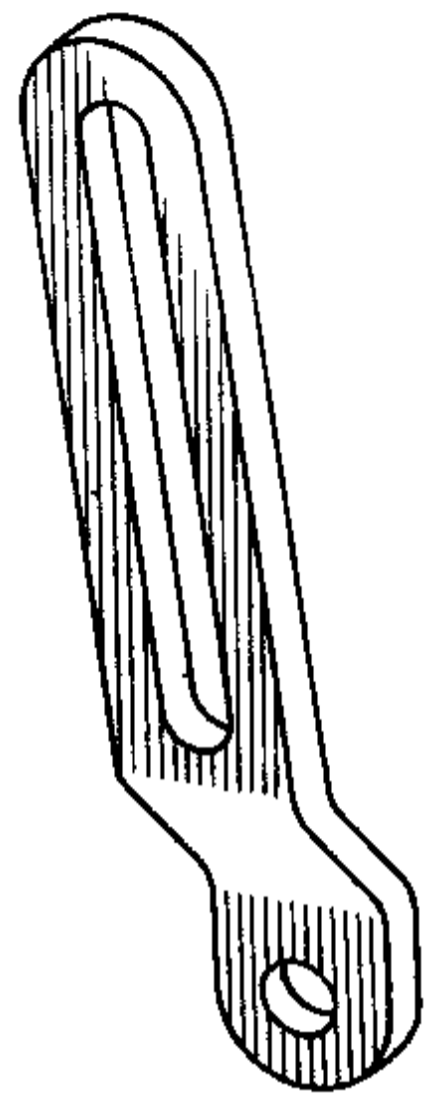
AIR CLEANER INSTALLATION -TURBO



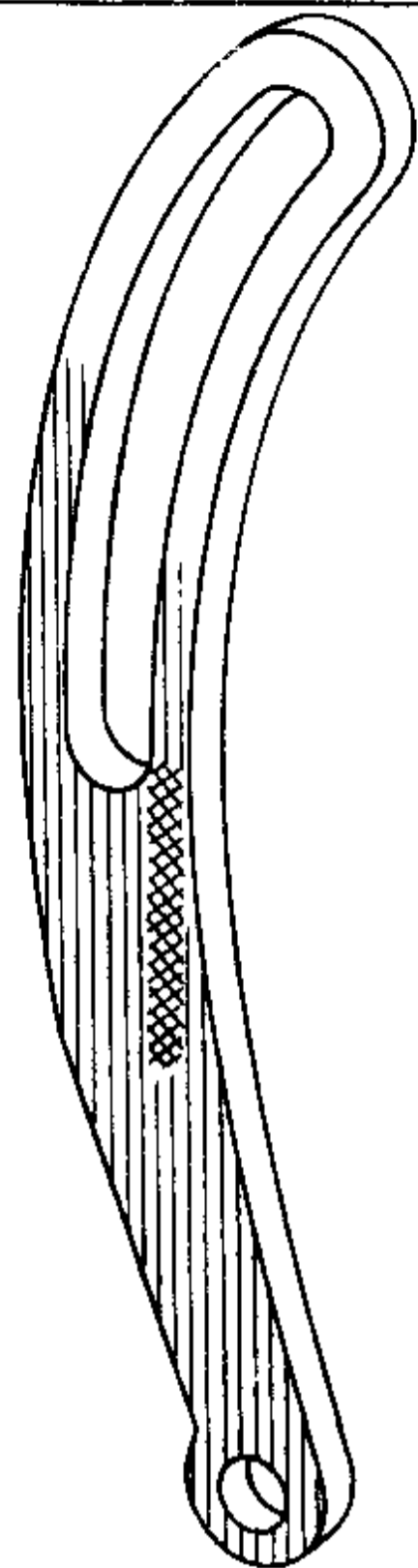
- Δ PART OF 2701E-10002-B
- PART OF 2701E-10002-A
- PART OF 10129 ASSY.
- ▲ PART OF 10043 BRUSH KIT

● ITEMS MARKED THIS ARE NOT SERVICED SEPARATELY. DEALER TO ORDER NEXT ASSY.

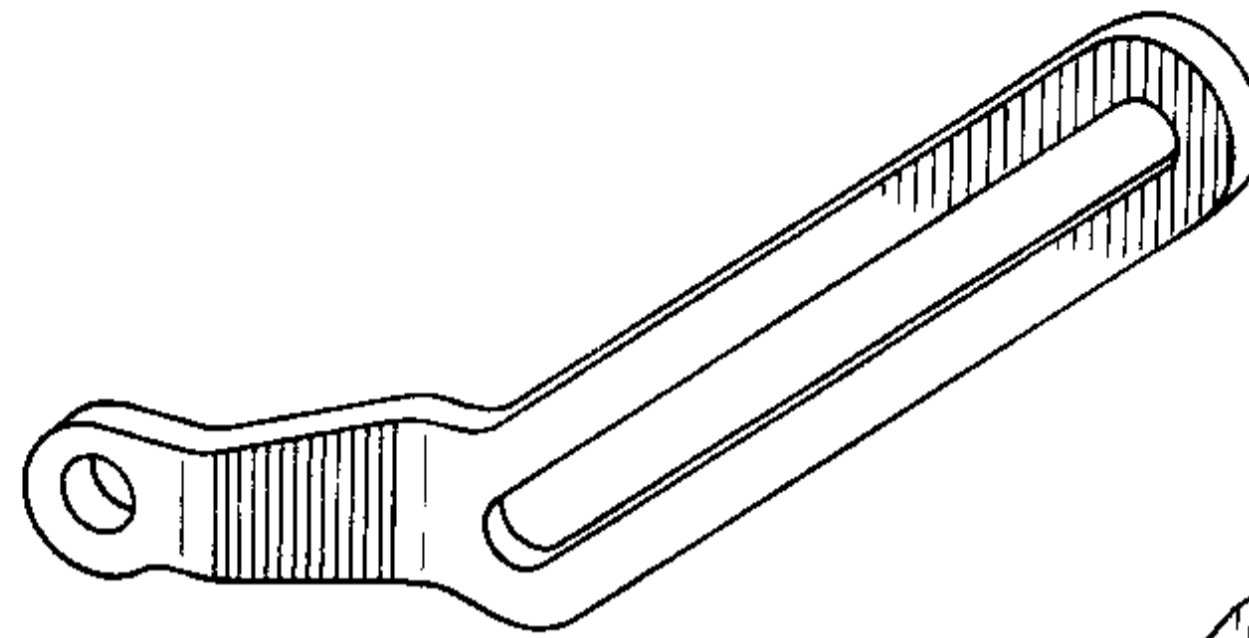
## GENERATOR



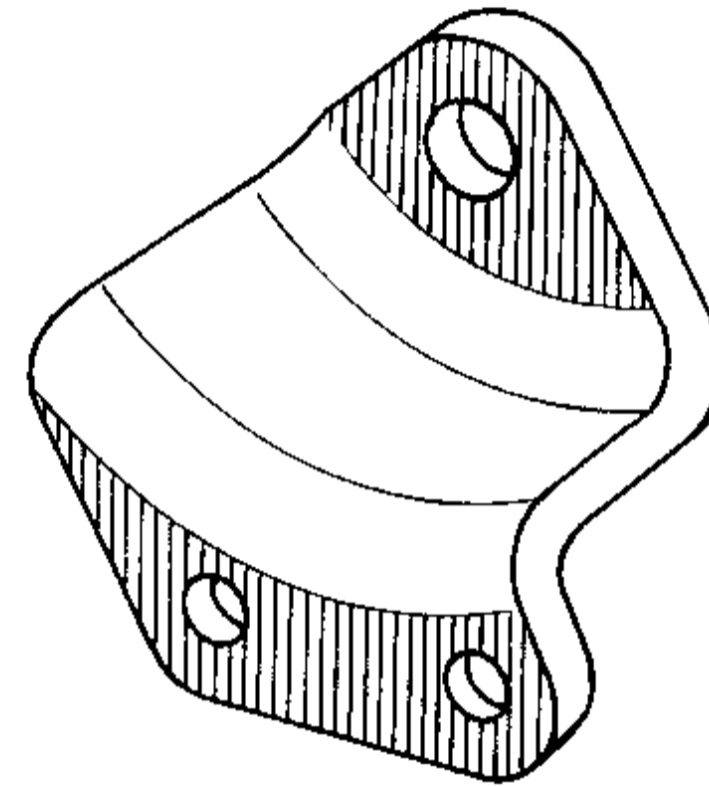
2706E-10145-B



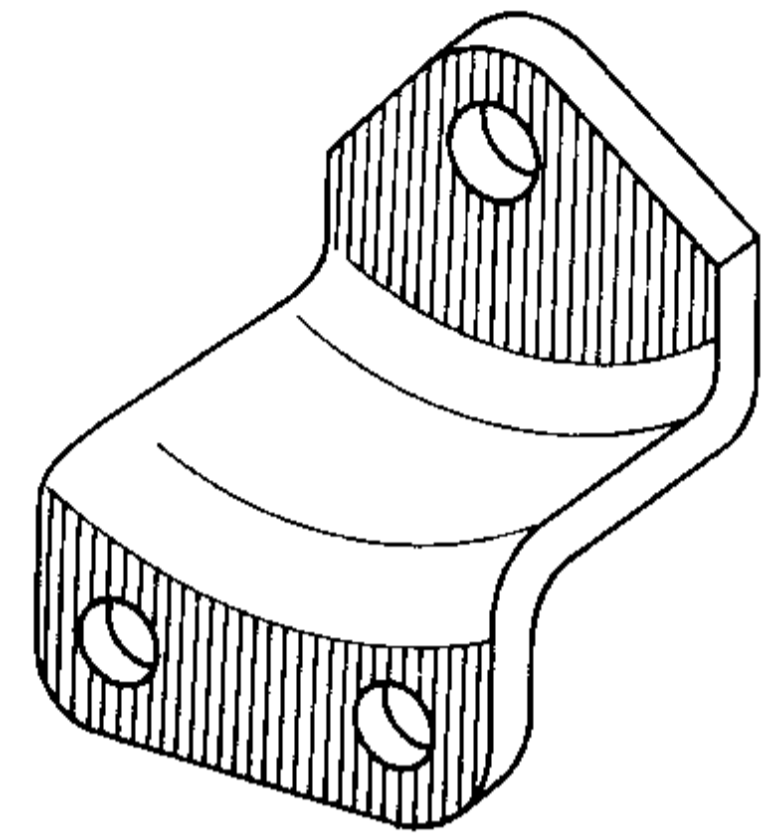
2701E-10145-A



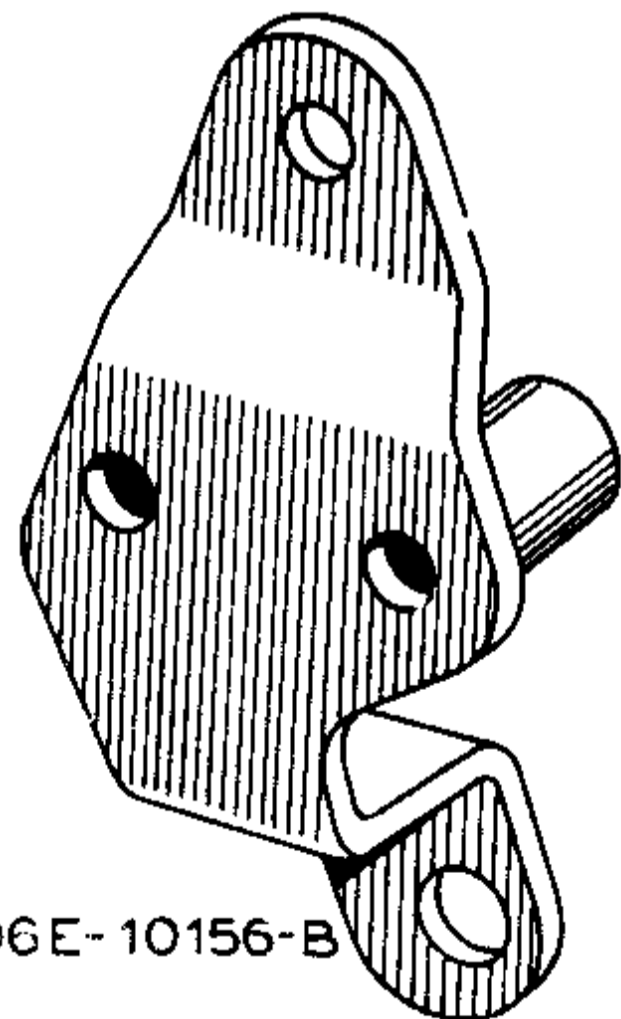
2701E-10145-D



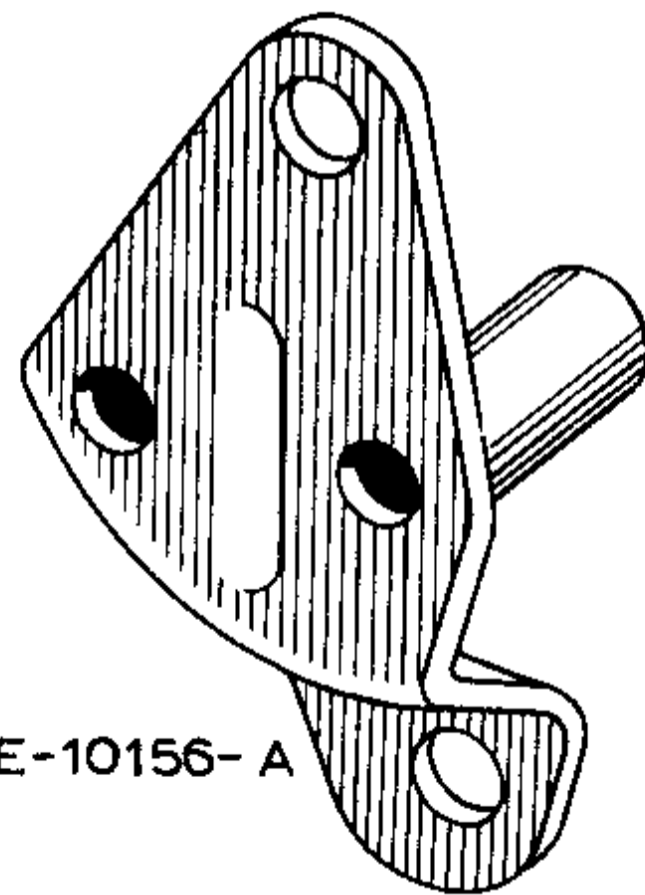
2706E-10151-A



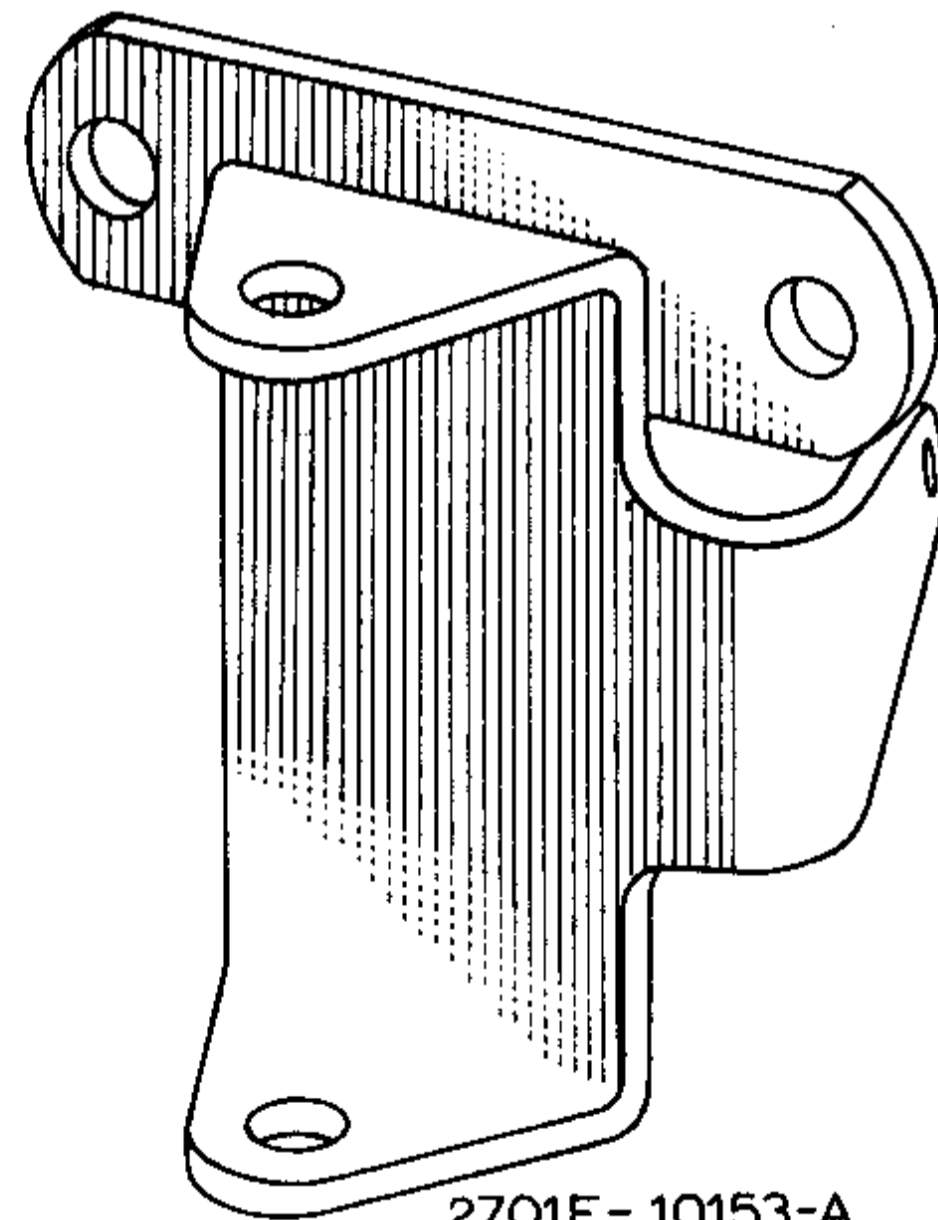
2706E-10151-B



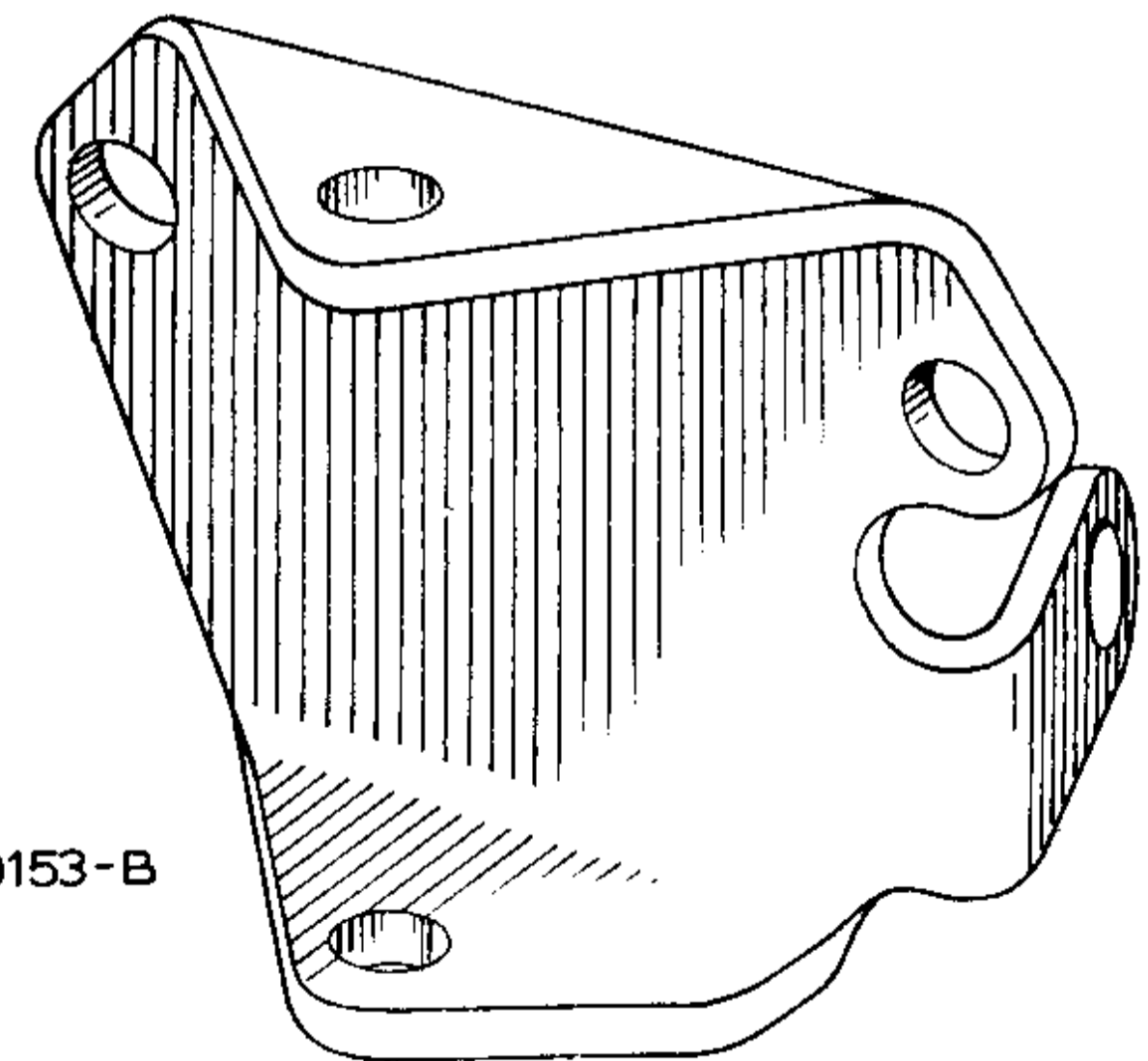
2706E-10156-B



2706E-10156-A

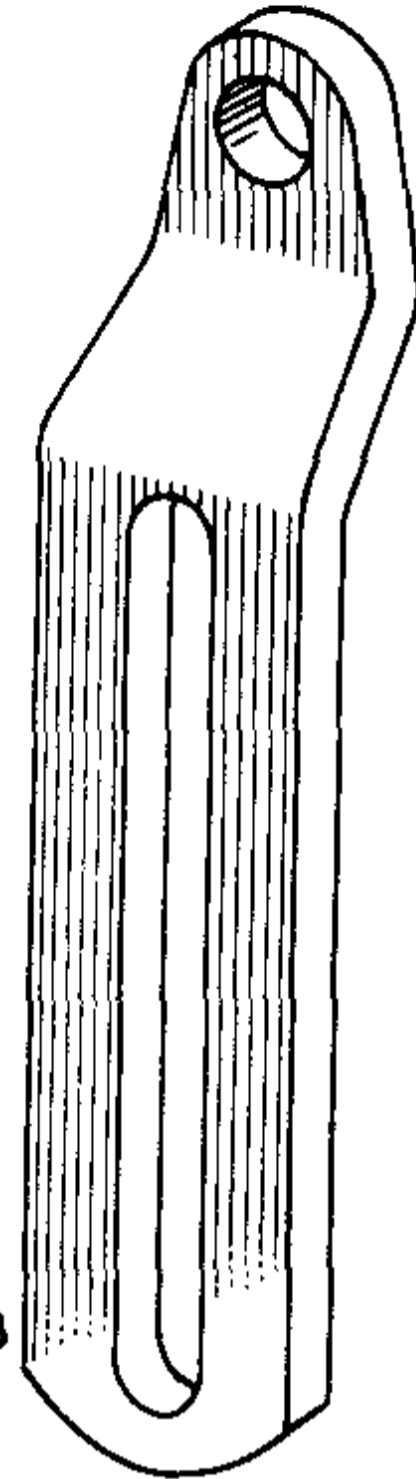


2701E-10153-A

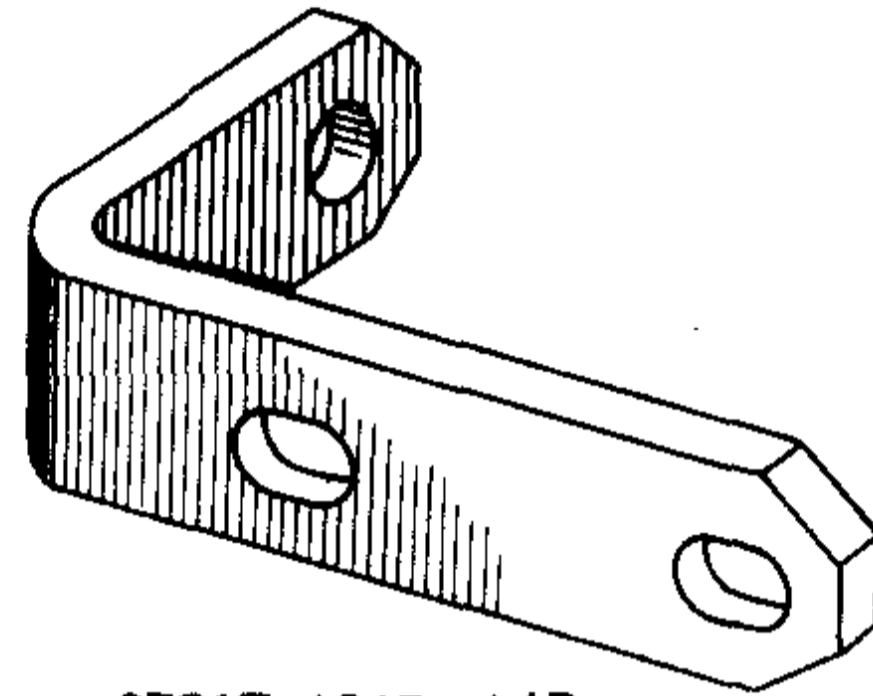


2700E-10153-B

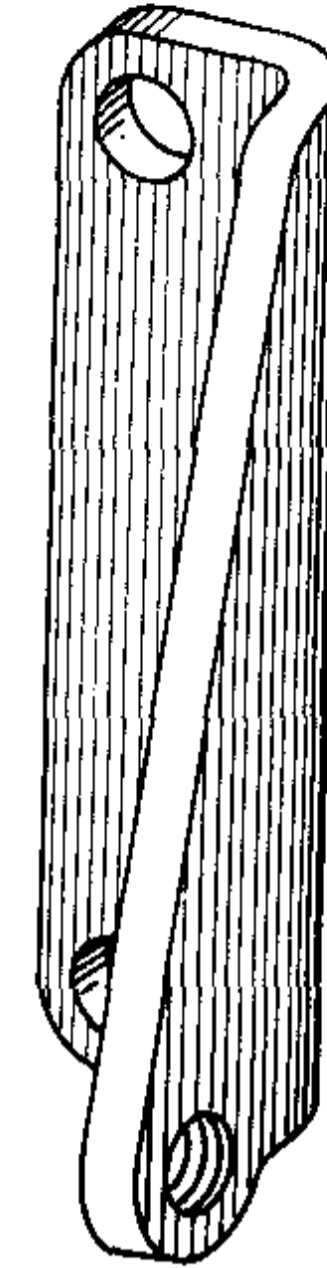
ALTERNATOR MOUNTING BRACKETS AND ARMS



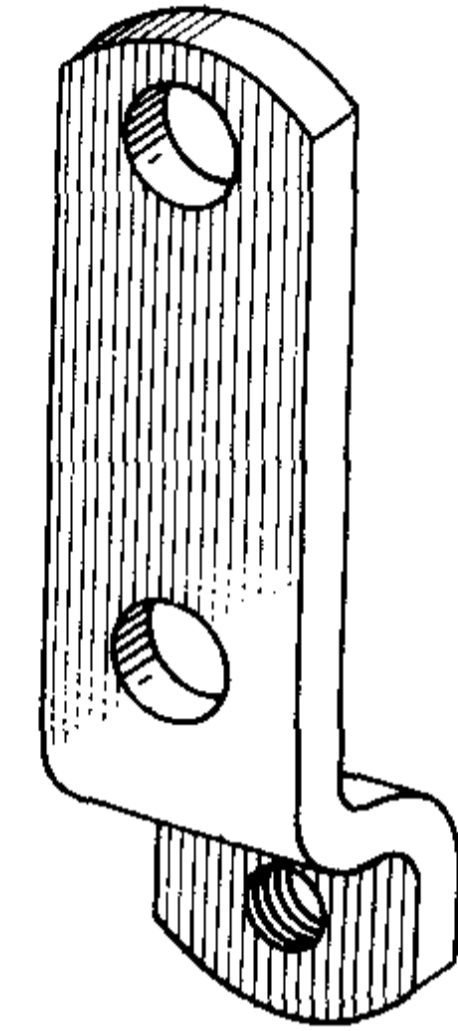
2701E-10145-B



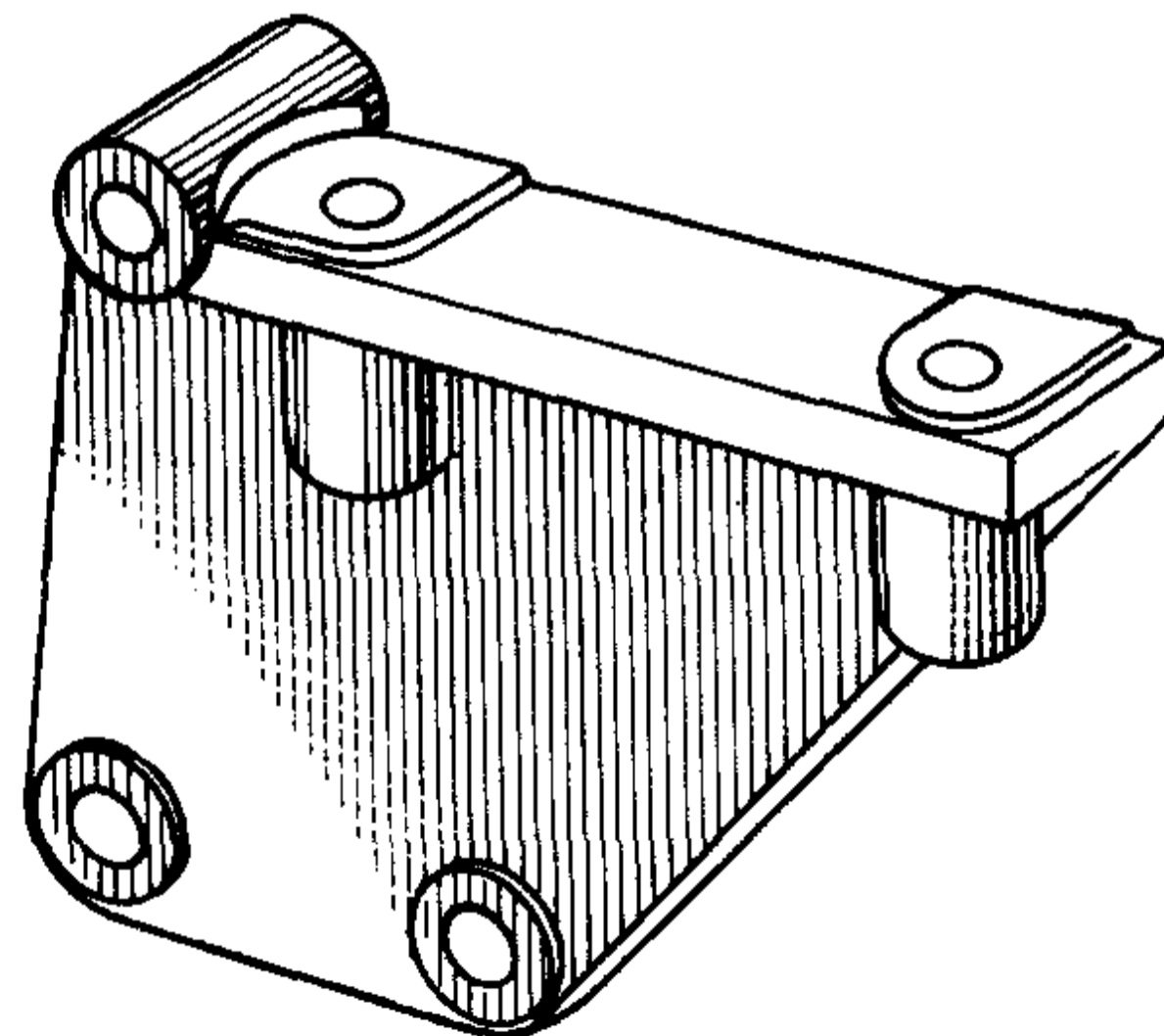
2701E-10151-A/B



2701E-10239-A/B



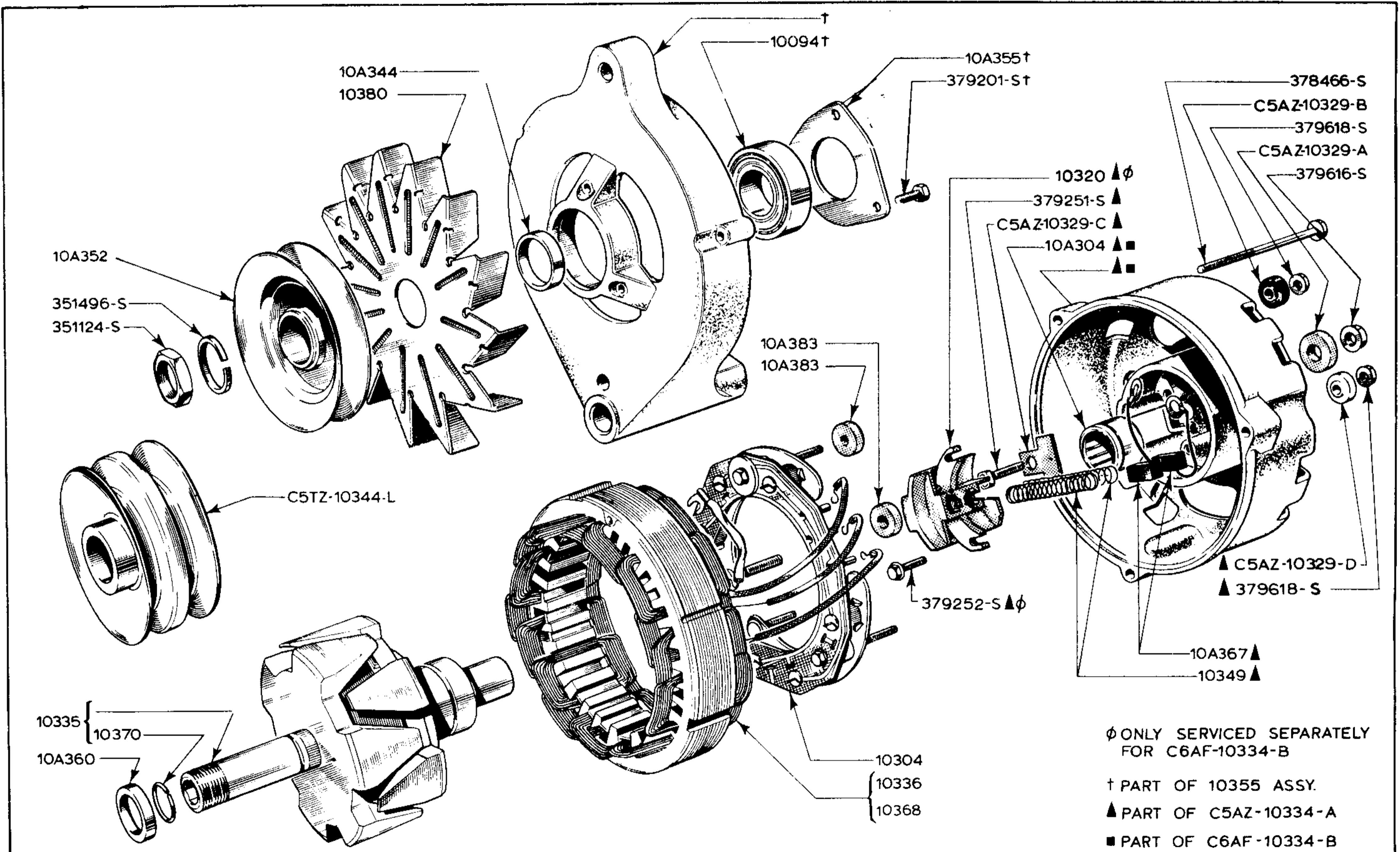
2705E-10239



2701E-10156-A

GENERATOR MOUNTING BRACKETS AND ARMS





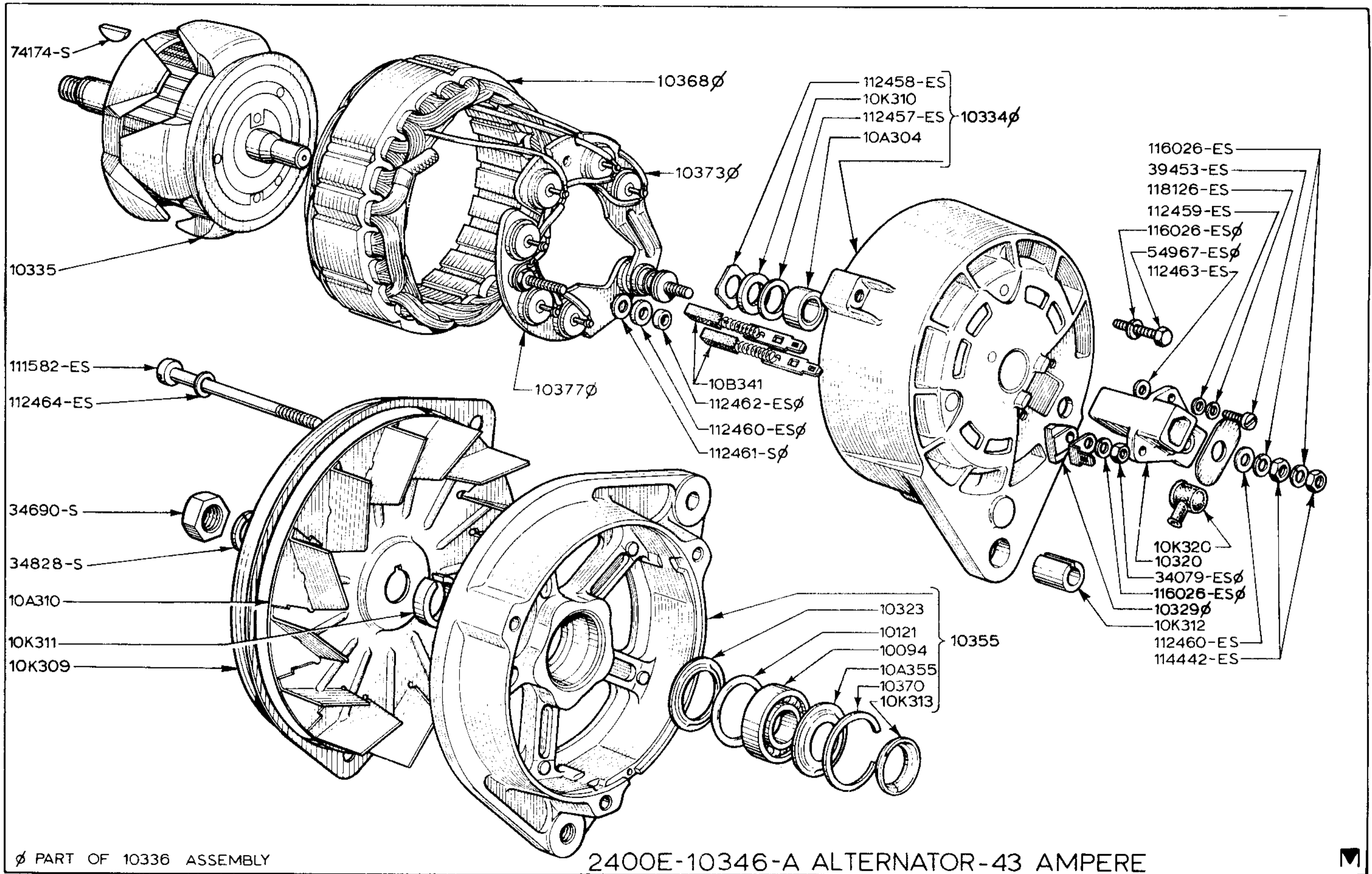
φ ONLY SERVICED SEPARATELY FOR C6AF-10334-B

† PART OF 10355 ASSY.

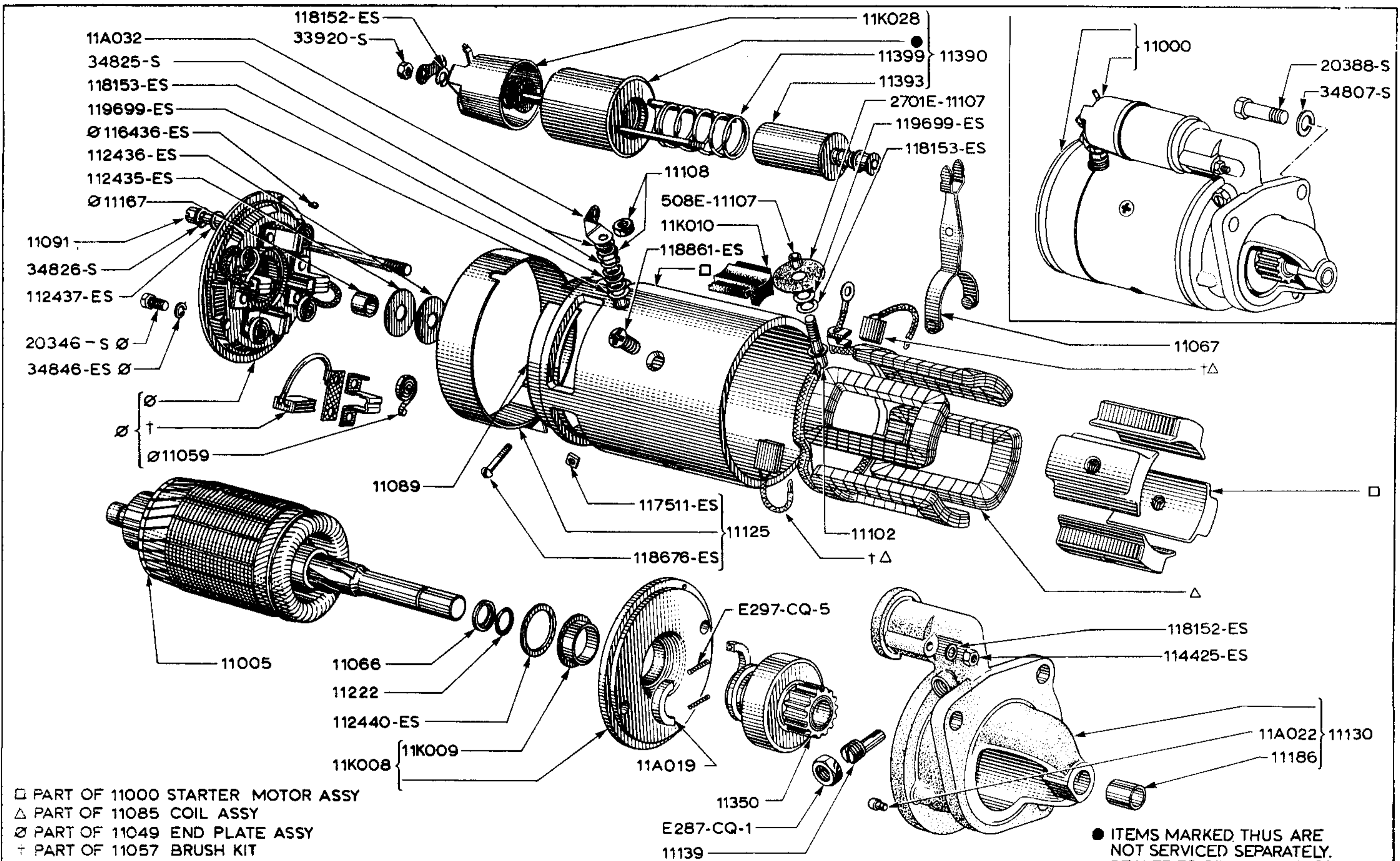
▲ PART OF C5AZ-10334-A

■ PART OF C6AF-10334-B

ALTERNATOR ASSY-38/55 AMPERE



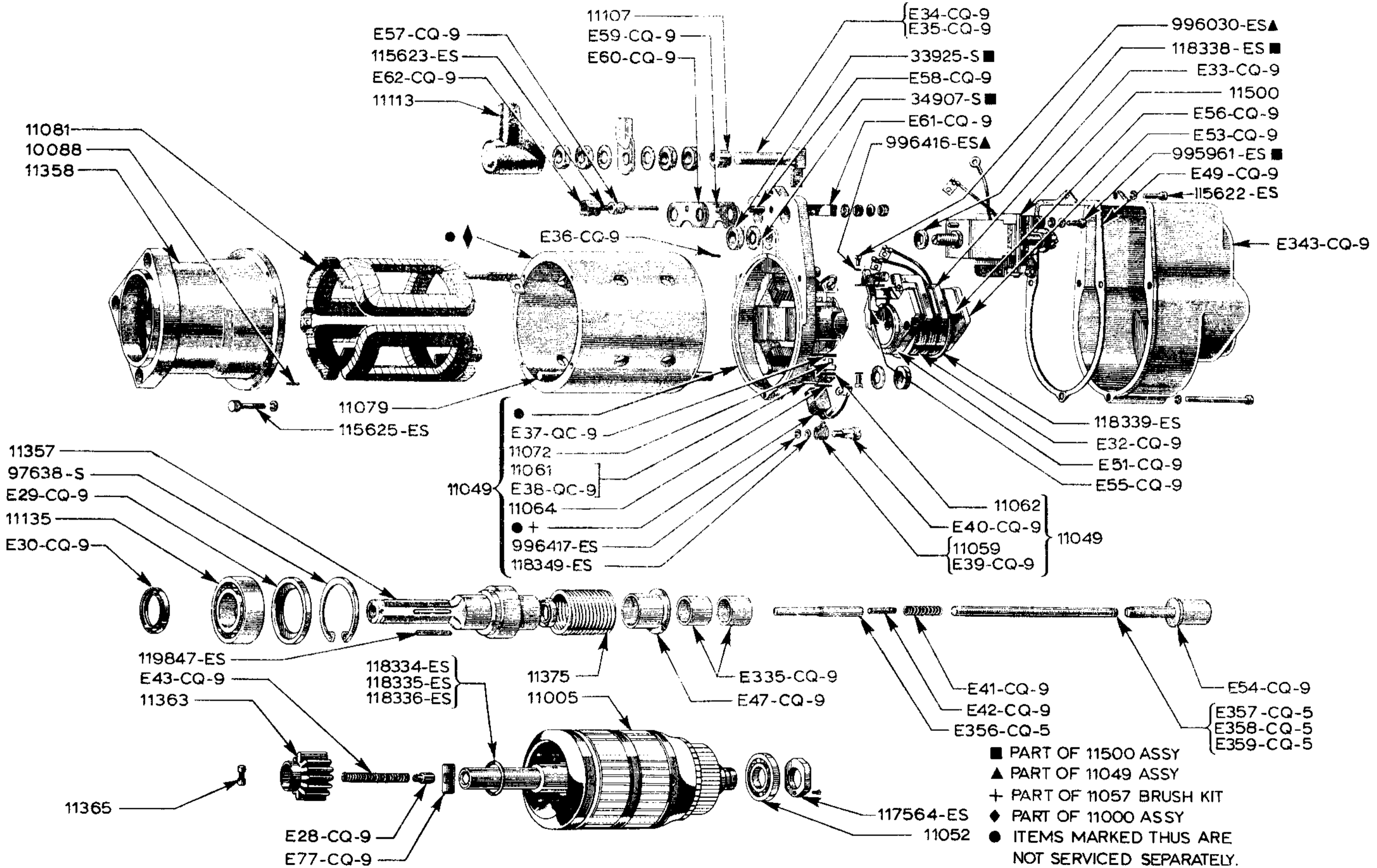




□ PART OF 11000 STARTER MOTOR ASSY  
 △ PART OF 11085 COIL ASSY  
 Ø PART OF 11049 END PLATE ASSY  
 † PART OF 11057 BRUSH KIT

● ITEMS MARKED THIS ARE NOT SERVICED SEPARATELY. DEALER TO ORDER NEXT ASSY.

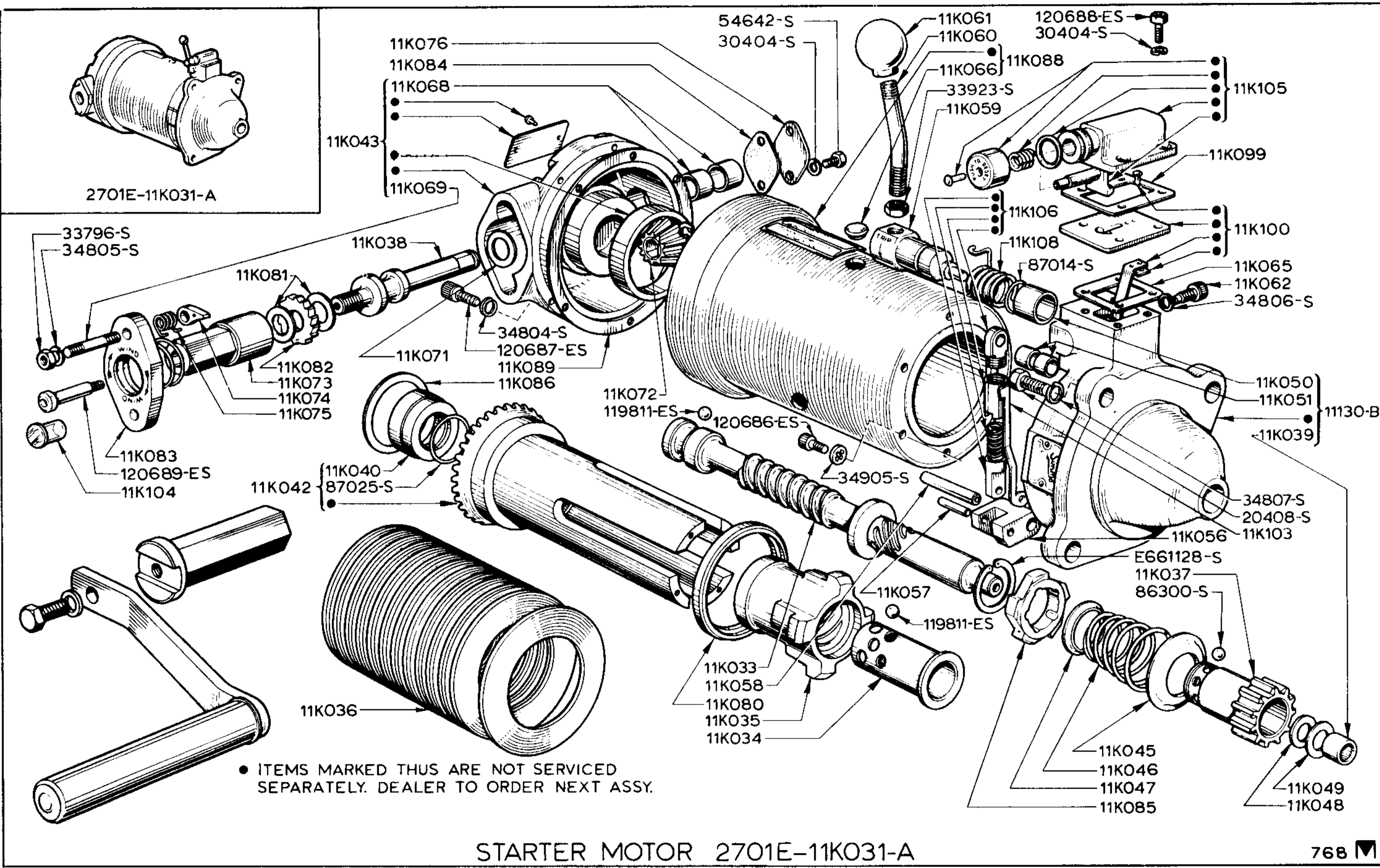
2701E-11000-B/D/E/F STARTER AND DRIVE ASSY -12 VOLTS



STARTER MOTOR -592E -11000-C/D

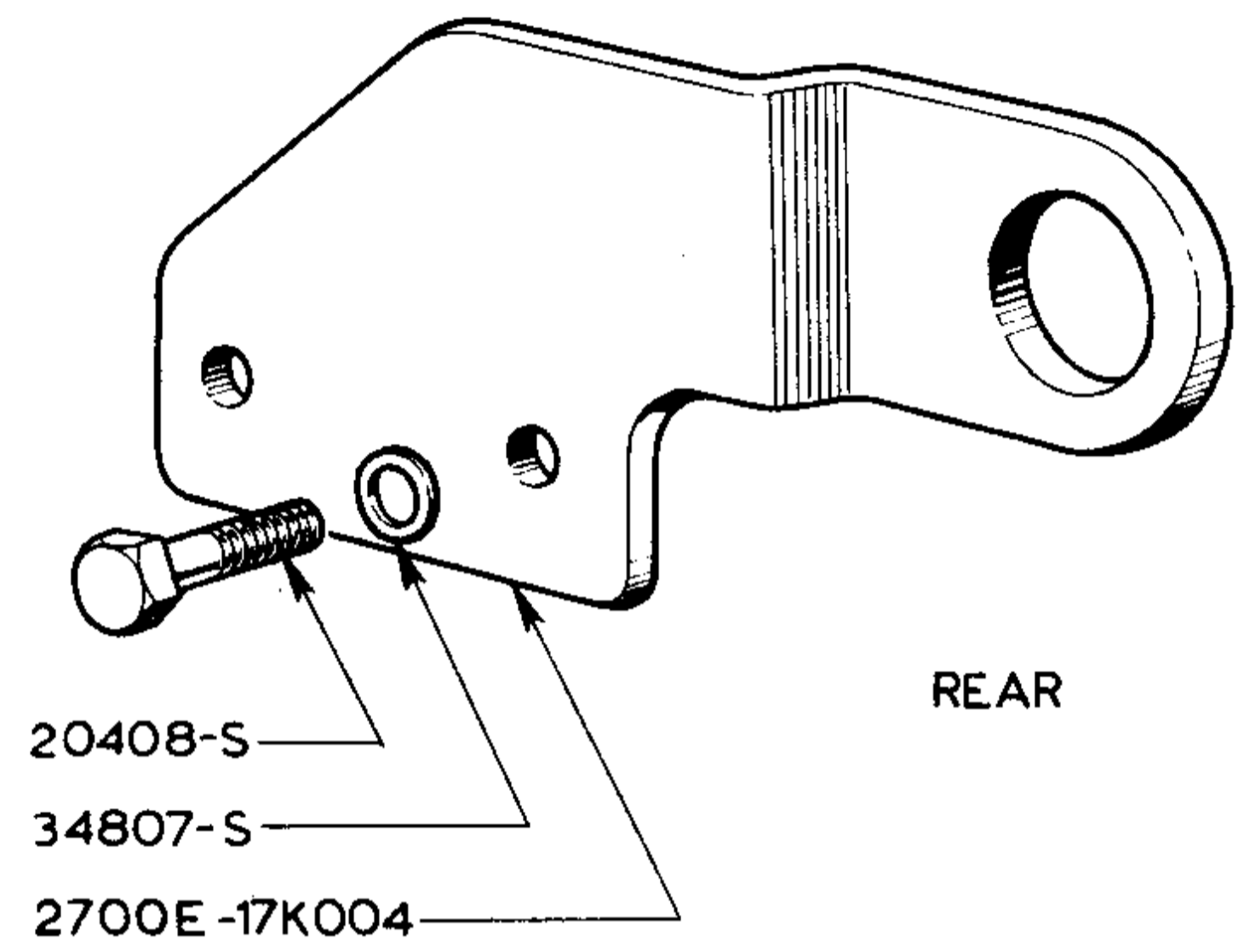
- PART OF 11500 ASSY
- ▲ PART OF 11049 ASSY
- + PART OF 11057 BRUSH KIT
- ◆ PART OF 11000 ASSY
- ITEMS MARKED THIS ARE NOT SERVICED SEPARATELY. DEALER TO ORDER NEXT ASSY.



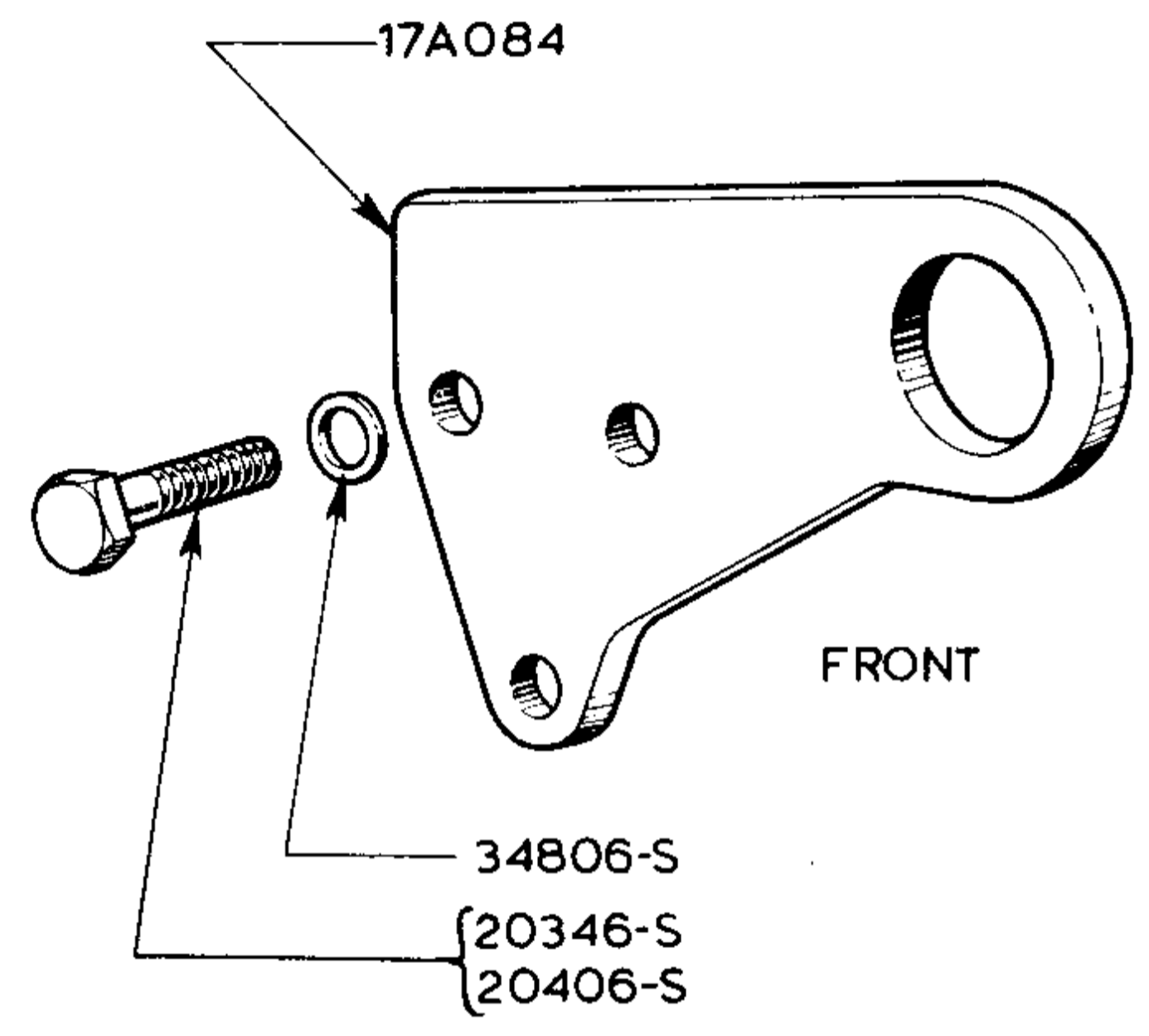


STARTER MOTOR 2701E-11K031-A

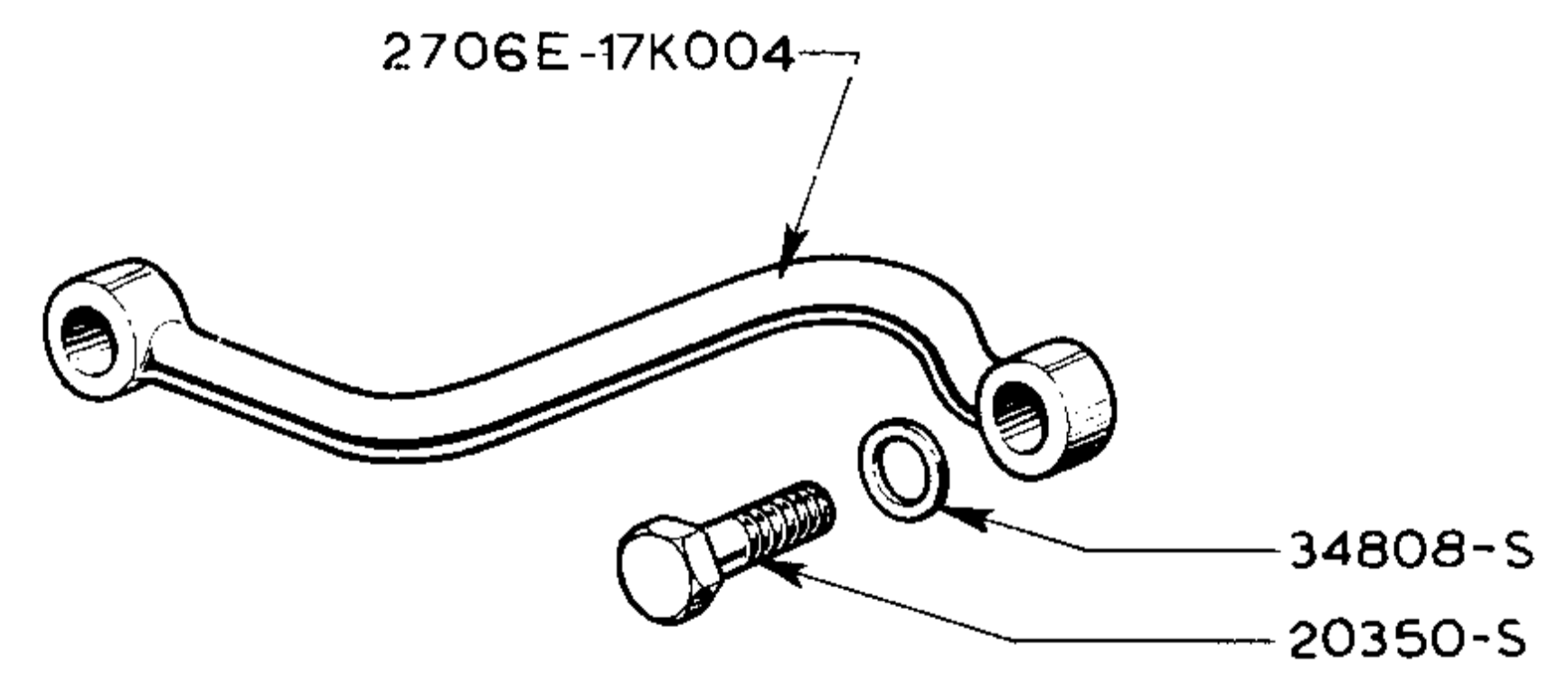




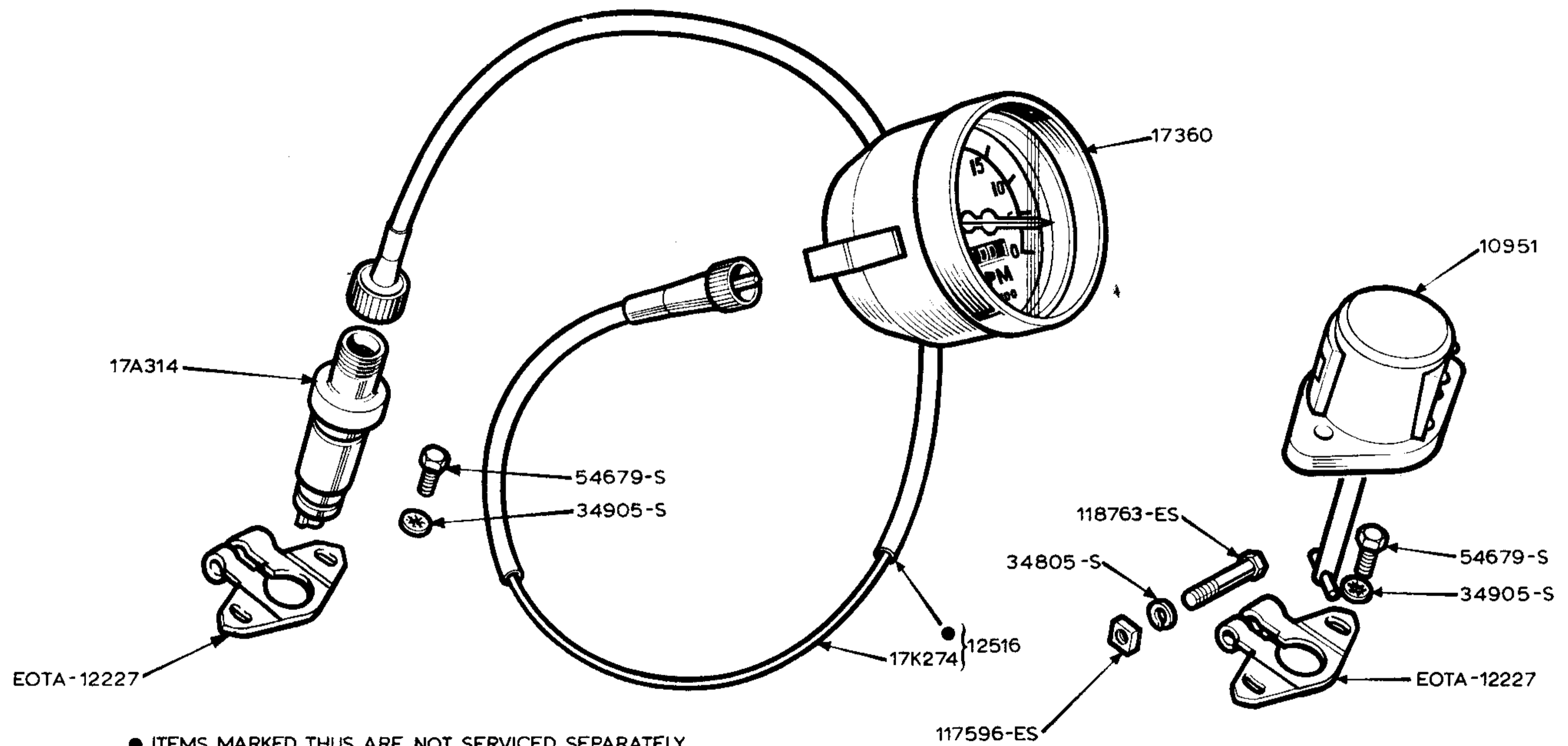
REAR



FRONT

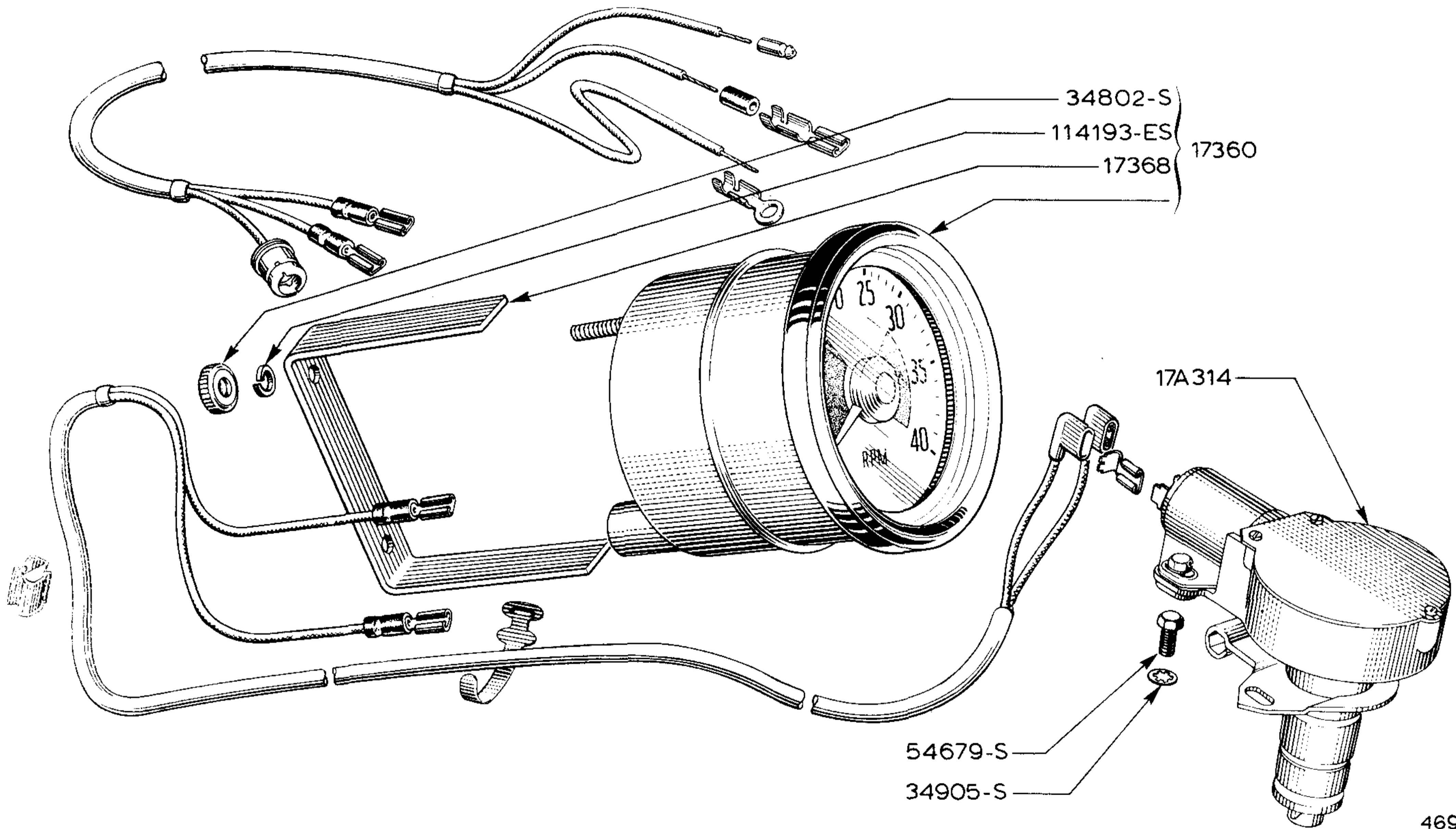


LIFTING EYES



● ITEMS MARKED THUS ARE NOT SERVICED SEPARATELY  
DEALER TO ORDER NEXT ASSY.

TACHOMETER-MECHANICAL



TACHOMETER -ELECTRICAL

