

parts catalogue



M3.09

Deze onderdelencatalogus bevat waardevolle informatie voor onderhoud en service aan uw motor.

Wij adviseren U, bij vervanging alleen originele *VERBUS* onderdelen toe te passen.

Het typeplaatje bevat informatie over de type-aanduiding, het motornummer en de serie.


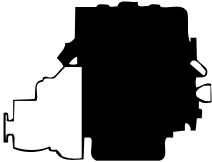
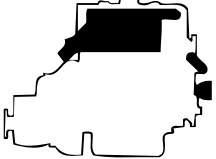
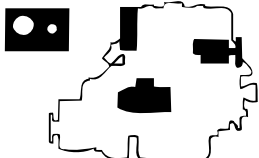

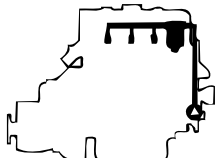




Gebruik deze informatie bij bestelling van onderdelen.

This parts' catalogue contains valuable information for maintenance and service over your engine.

For replacement, we recommend that you use only genuine *VERBUS* parts.

The identification tag contains information about model, serial number and series.

Use this information when ordering parts.

	<p>RESERVE KITS SPARE PARTS KIT</p>	<p>1</p>
	<p>MOTOR ENGINE</p>	<p>2</p>
	<p>KOELING COOLING</p>	<p>3</p>
	<p>ELECTRA, BEDIENING EN INSTRUMENTEN ELECTRICS, CONTROLS, INSTRUMENTS</p>	<p>4</p>
	<p>AANDRIJVING TRANSMISSION</p>	<p>5</p>
	<p>BRANDSTOFSYSTEEM FUEL SYSTEM</p>	<p>6</p>
	<p>GENERATOR GENERATOR</p>	<p>7</p>
	<p>GEREEDSCHAPPEN TOOLS</p>	<p>8</p>
	<p>ACCESSOIRES OPTIONALS</p>	<p>9</p>
	<p>ACCESSOIRES OPTIONALS</p>	<p>10</p>

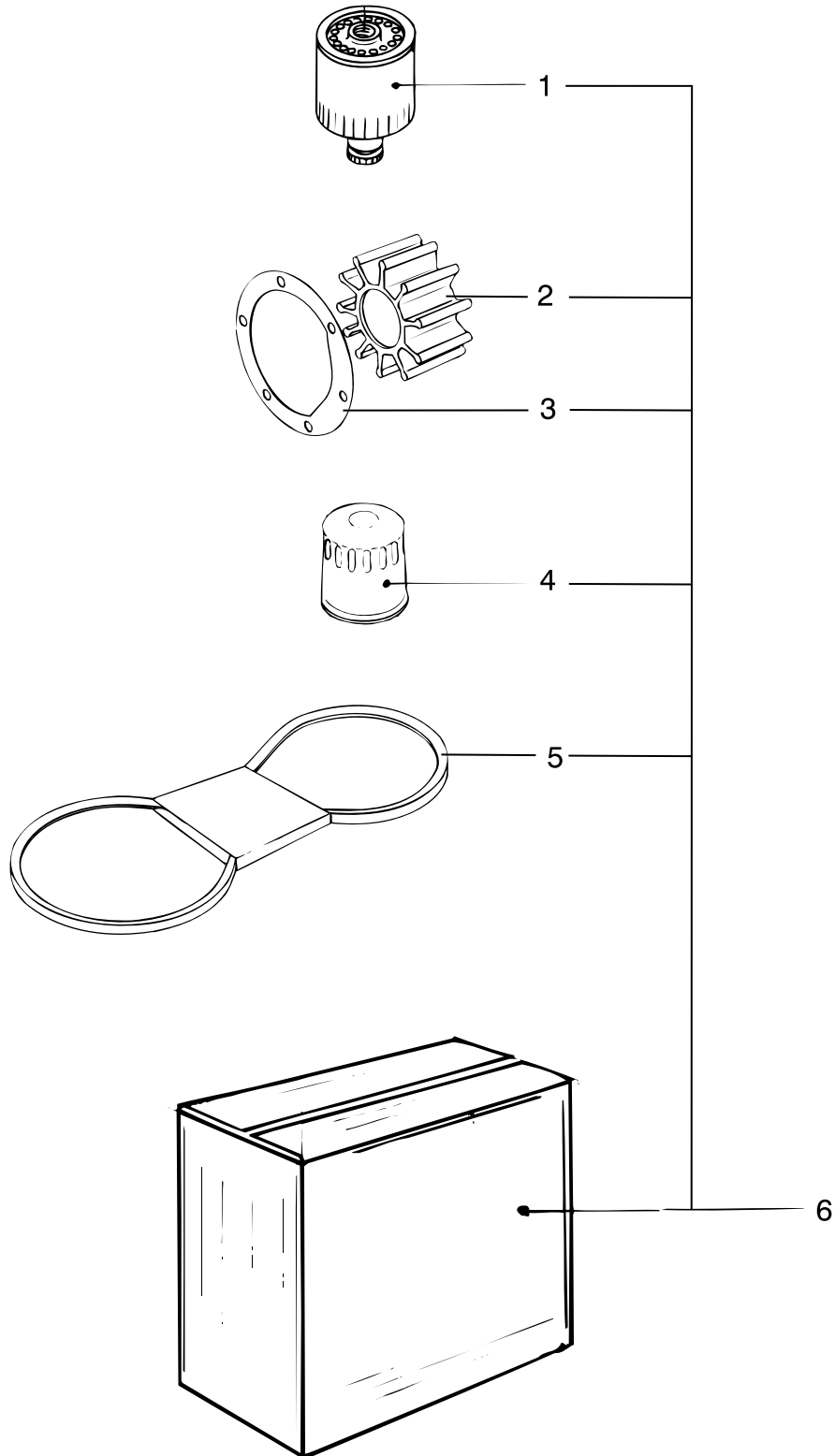
onderdelencatalogus parts catalogue



groep/ group	blz./ page	type	omschrijving/description	datum/date
1	1	M3.09	Service kit Service kit	11 06 01

pos.	qty	part	benaming	description
1	1	STM3690	Brandstoffilter	Fuel filter
2	1	STM8061	Impeller	Impeller
3	1	STM6165	Pakking zeewater pomp	Gasket seawater pump
4	1	STM0051	Oliefilter	Oil filter
5	1	STM7369	V-snaar l=910	V-belt l=910
6	1	STM9531	Service kit 1 t/m 5	Service kit 1 up to 5

groep/ group	blz./ page	type	omschrijving/description	datum/date
1	1	M3.09	Service kit Service kit	11 06 01



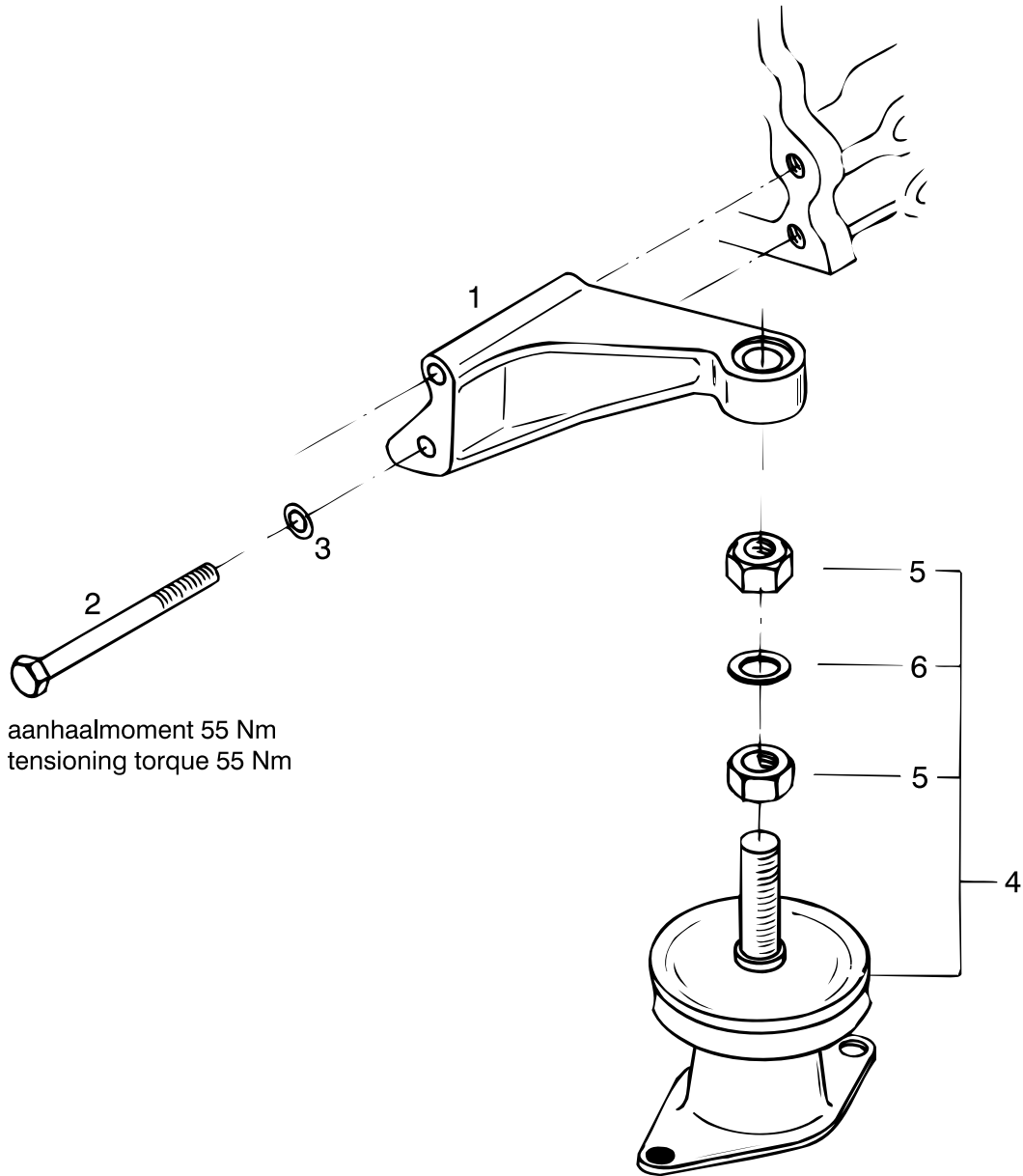
onderdelencatalogus parts catalogue



groep/ group 2	blz./ page 1	type M3.09	omschrijving/description Motorsteunen Engine supports	datum/date 11 06 01
----------------------	--------------------	---------------	---	------------------------

pos.	qty	part	benaming	description
1	2	STM6101	Motorsteun BB-SB	Engine support PS-SB
2	4	STM6102	Bout M10x1,25x90	Bolt M10x1.25x90
3	4	STM2022	Ring	Washer
4	4	MITSTEUN	Hydrodemper	Hydro mount
5	8	STM4010	Moer M16x1,5	Nut M16x1.5
6	4	STM4011	Ring	Washer

groep/ group	blz./ page	type	omschrijving/description	datum/date
2	1	M3.09	Motorsteunen Engine supports	11 06 01



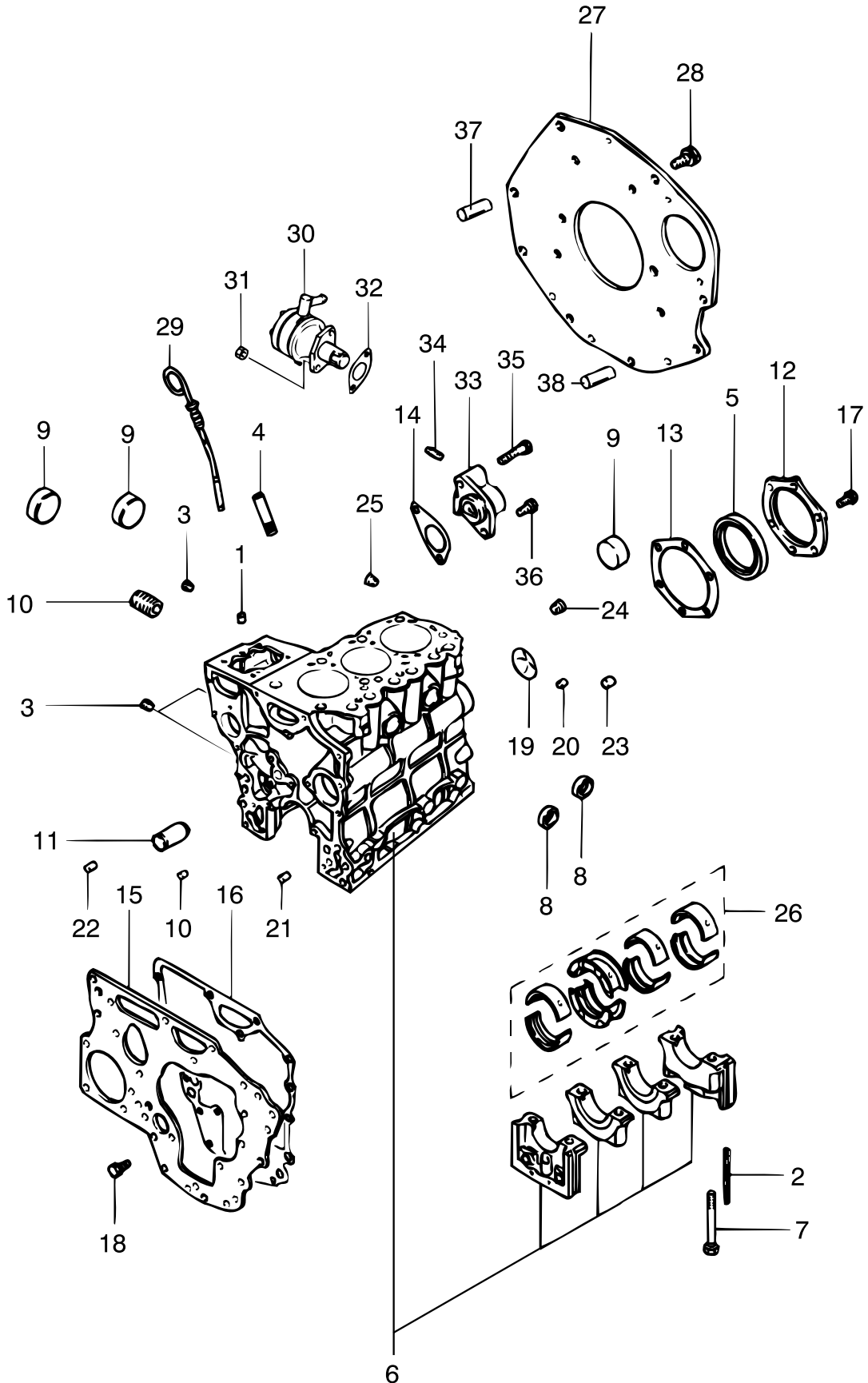
onderdelencatalogus parts catalogue



groep/ group	blz./ page	type	omschrijving/description	datum/date
2	2	M3.09	Motorblok Crankcase	11 06 01

pos.	qty	part	benaming	description
1	2	STM1100	Pen	Pin
2	4	STM1101	Dichting	Seal
3	3	STM1102	Plug	Plug
4	1	STM1103	Geleider	Guide
5	1	STM1104	Keerring	Oil Seal
6	1	STM3970	Motorblok	Block Sub Assembly
7	8	STM1106	Bout	Bolt
8	2	STM1108	Plug	Cap sealing
9	3	STM1109	Plug	Cap sealing
10	1	STM3546	As, oliefilter	Shaft, oilfilter
11	1	STM1111	As	Shaft, idler
12	1	STM1112	Huis, oliekeerring	Oilseal case
13	1	STM3901	Pakking	Gasket oil seal case
14	1	STM3902	Pakking	Gasket
15	1	STM1115	Plaat	Front plate
16	1	STM3903	Pakking	Gasket front plate
17	6	STM1117	Bout	Bolt
18	7	STM1118	Bout	Bolt
19	1	STM1119	Plug	Plug
20	2	STM1120	Bus	Bushing
21	1	STM1121	Bus	Bushing
22	2	STM2510	Bus	Bushing
23	3	STM1122	Bus	Bushing
24	1	STM1123	Plug	Tapper,plug
25	1	STM2513	Plug	Tapper,plug
26	1	STM3904	Lager set std.	Bearing set std.
	1	STM3905	Lager set 0,25 ondermaat	Bearing set 0.25 u.s
	1	STM3906	Lager set 0,50 ondermaat	Bearing set 0.50 u.s
27	1	STM1125	Achterplaat	Rear plate
28	6	STM3549	Bout	Bolt
29	1	STM1126	Peilstok	Oil level gage
30	1	STM1127	Brandstofopvoer pomp	Pump assy fuel
31	2	STM3260	Moer	Nut
32	1	STM1128	Pakking	Gasket
33	1	STM1129	Adaptor	Adaptor
34	2	STM1130	Tapeind	Stud
35	1	STM2258	Bout	Bolt
36	1	STM3355	Bout	Bolt
37	1	STM2507	Pen 8x10 DIN 6325	Pin 8x10 DIN 6325
38	1	STM6279	Pen 8x18 DIN 6325	Pin 8x18 DIN 6325

groep/ group	blz./ page	type	omschrijving/description	datum/date
2	2	M3.09	Motorblok Crankcase	11 06 01



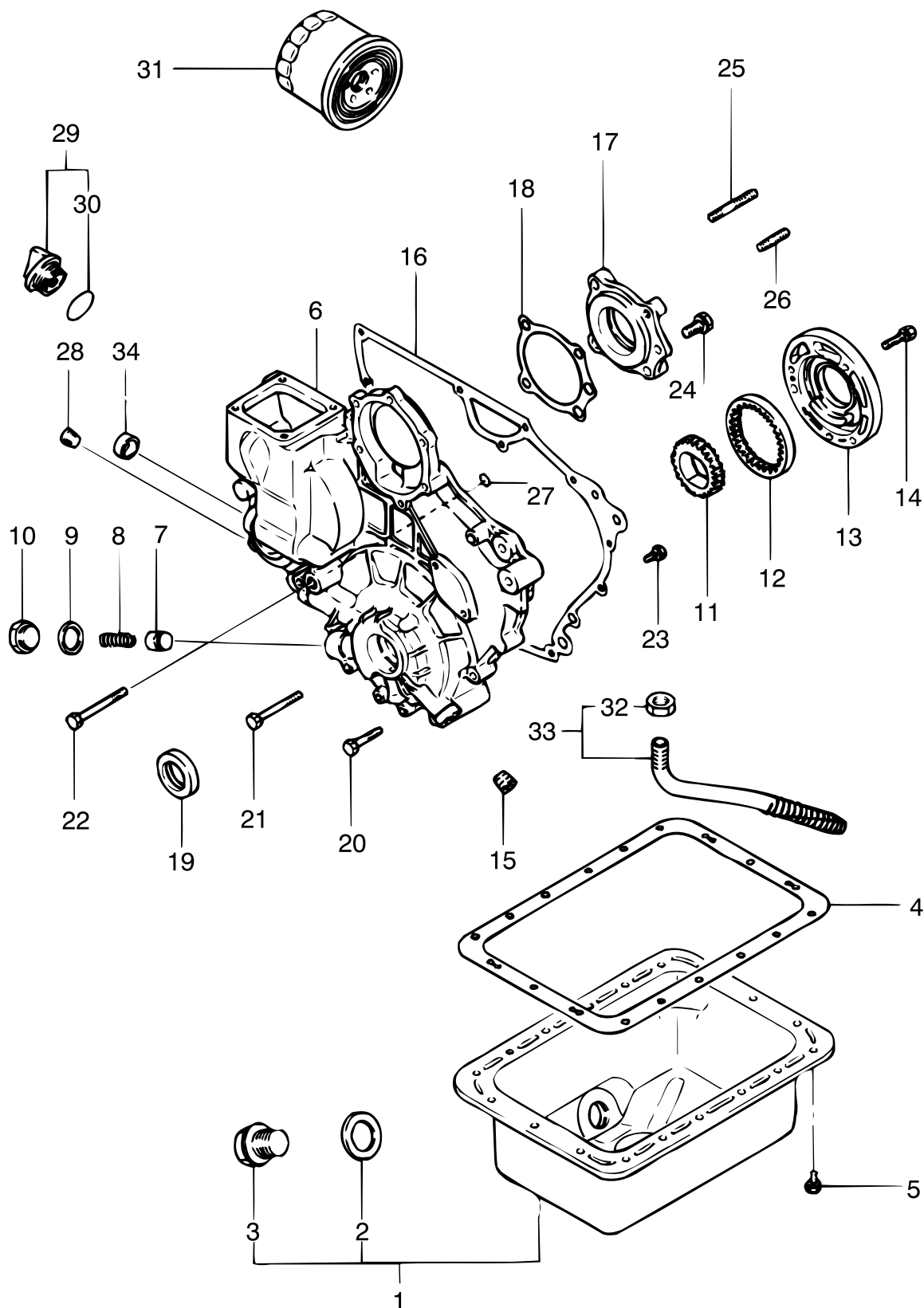
onderdelencatalogus parts catalogue



groep/ group	blz./ page	type	omschrijving/description	datum/date
2	3	M3.09	Carterpan+Oliepomp Oilsump+Oilpump	11 06 01

pos.	qty	part	benaming	description
1	1	STM3907	Carterpan compleet	Pan assy
2	1	STM1133	Pakking	Gasket
3	1	STM1134	Plug	Plug
4	1	STM3908	Pakking,carterpan	Gasket,oil pan
5	18	STM3555	Bout	Bolt
6	1	STM3909	Huis	Case
7	1	STM1139	Klep	Relief,plunger
8	1	STM1140	Veer	Relief,spring
9	1	STM1141	Pakking	Gasket
10	1	STM1142	Plug	Plug
11	1	STM1143	Tandwiel	Gear
12	1	STM1144	Tandwiel	Gear
13	1	STM1145	Huis	Housing
14	3	STM2260	Bout	Bolt
15	1	STM1146	Plug	Plug,tapper
16	1	STM3910	Pakking	Gasket
17	1	STM1148	Huis	Housing
18	1	STM3911	Pakking	Gasket
19	1	STM1150	Keerring	Oil seal
20	3	STM6155	Bout	Bolt
21	4	STM3562	Bout	Bolt
22	1	STM1151	Bout	Bolt
23	4	STM1152	Bout	Bolt
24	1	STM1610	Bout	Bolt
25	3	STM1153	Tapeind	Stud
26	1	STM1154	Tapeind	Stud
27	2	STM1155	O-ring	O-seal
28	1	STM1156	Plug	Cape sealing
29	1	STM3565	Vuldop + O-ring	Cap assy + O-ring
30	1	STM3566	O-ring	O-ring
31	1	STM0051	Olie filter	Oil filter
32	1	STM1157	Moer	Nut
33	1	STM1158	Aanzuigpijp	Oilstrainer
34	1	STM3974	Deksel	Cap, sealing

groep/ group	blz./ page	type	omschrijving/description	datum/date
2	3	M3.09	Carterpan+Oliepomp Oilsump+Oilpump	11 06 01



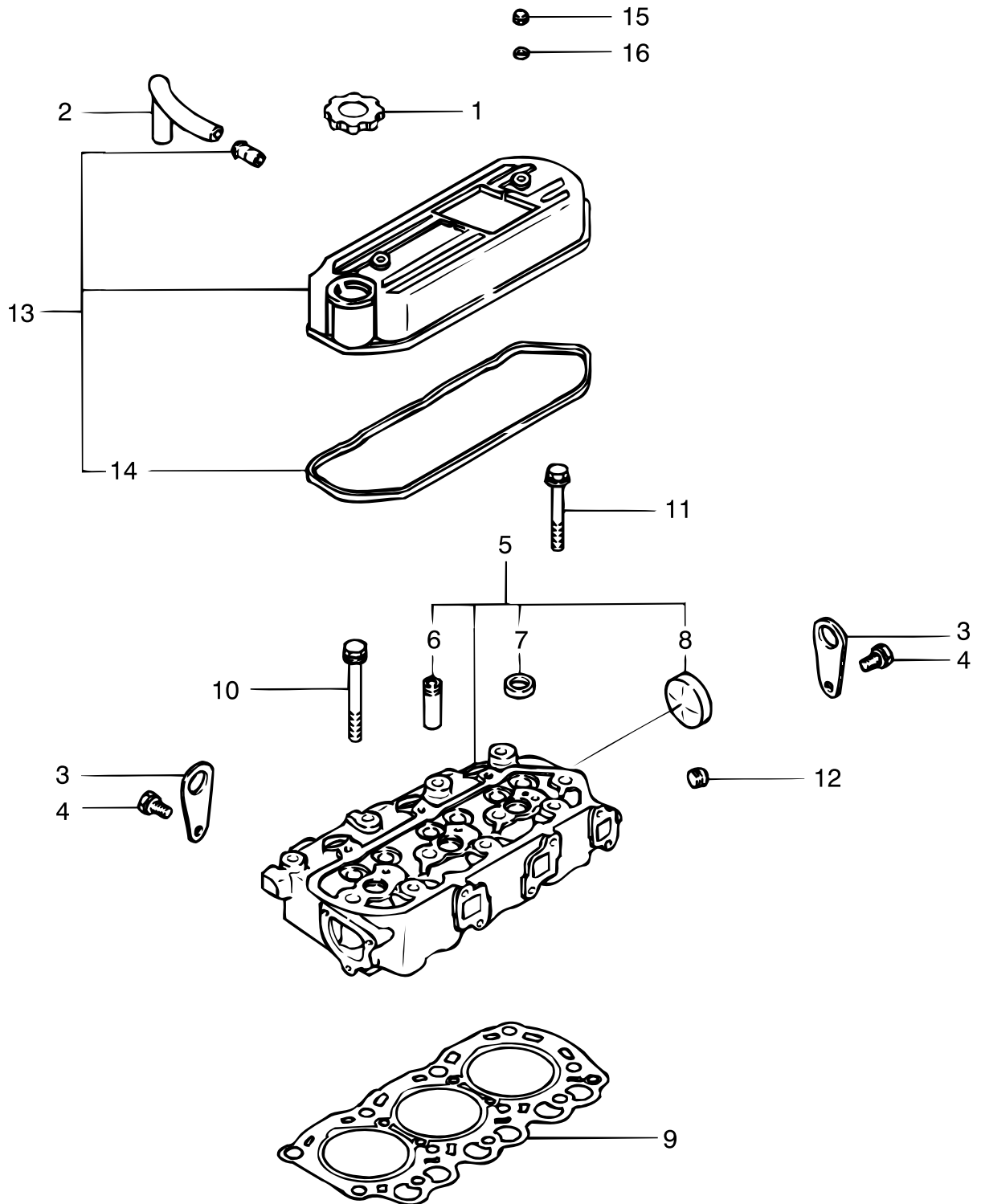
onderdelencatalogus parts catalogue



groep/ group	blz./ page	type	omschrijving/description	datum/date
2	4	M3.09	Cilinderkop Cylinderhead	11 06 01

pos.	qty	part	benaming	description
1	1	STM3912	Vuldop	Oil fillercap
2	1	STM1159	Slang	Hose
3	2	STM6254	Hijsoog	Hanger
4	2	STM1160	Bout	Bolt
5	1	STM3913	Cilinderkop cpl.	Cylinder head assy.
6	6	STM3914	Geleider	Guide
7	3	STM1163	Kap	Cap sealing
8	1	STM1164	Plug	Plug
9	1	STM3915	Cilinderkoppakking	Cylinder head gasket
10	8	STM1166	Bout	Bolt
11	3	STM1167	Bout	Bolt
12	1	STM1168	Plug	Plug
13	1	STM3916	Kleppendeksel cpl.	Rocker cover cpl.
14	1	STM3917	Klepdekselpakking	Rocker cover gasket
15	2	STM1172	Moer	Nut
16	2	STM1173	Ring	Washer

groep/ group	blz./ page	type	omschrijving/description	datum/date
2	4	M3.09	Cilinderkop Cylinderhead	11 06 01



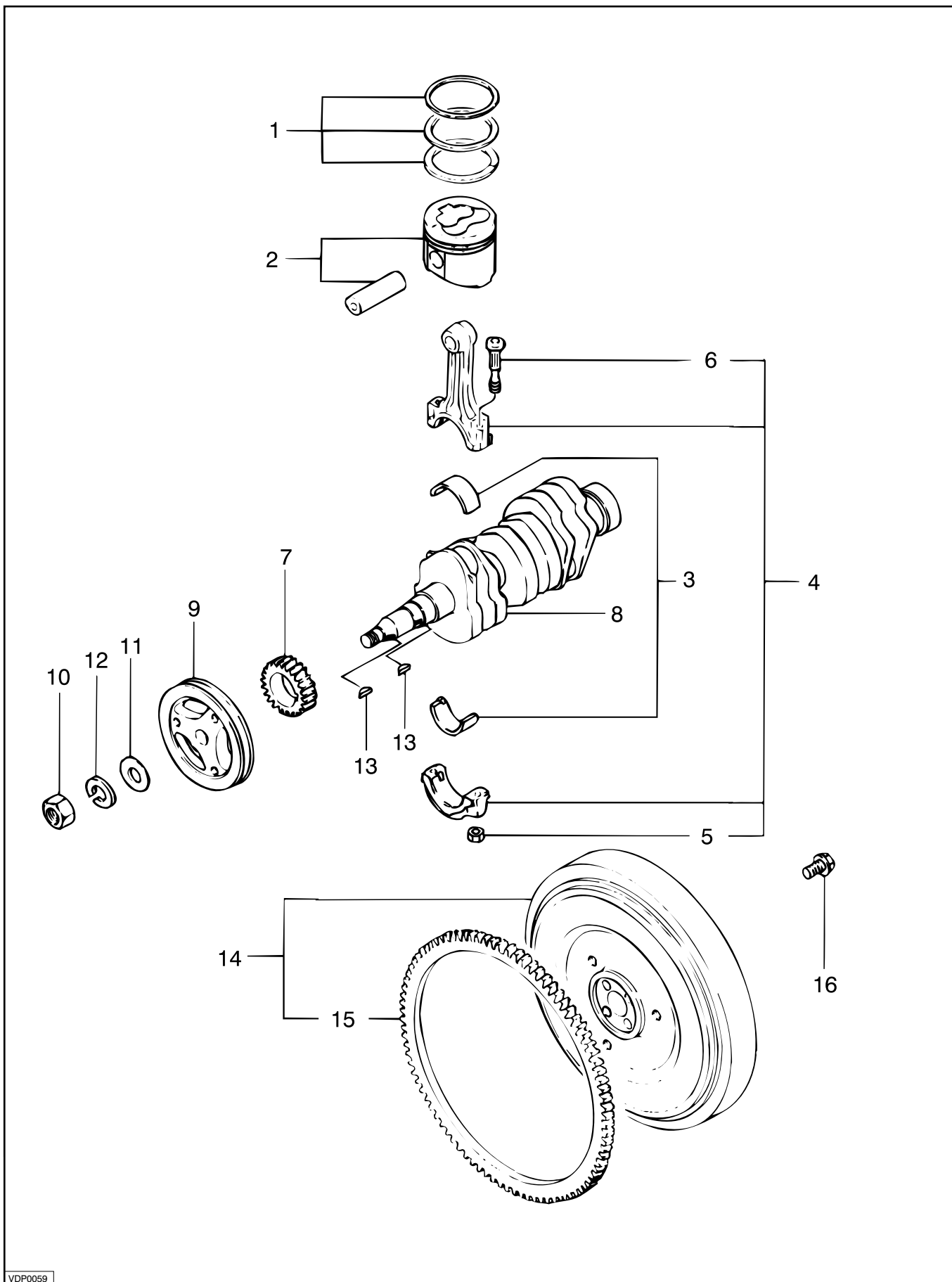
onderdelencatalogus parts catalogue



groep/ group	blz./ page	type	omschrijving/description	datum/date
2	5	M3.09	Krukas Crankcase	11 06 01

pos.	qty	part	benaming	description
1	3	STM1397	Ringenset std.	Ring set std.
	3	STM1398	Ringenset 0,25 overmaat	Ring set o.s. 0.25.
	3	STM1399	Ringenset 0,50 overmaat	Ring set o.s. 0.50
2	3	STM1430	Zuiger std.	Piston std.
	3	STM1431	Zuiger 0,25 overmaat	Piston 0,25 o.s.
	3	STM1432	Zuiger 0,50 overmaat	Piston 0,50 o.s.
3	3	STM1421	Lagerset std	Bearing set std.
	3	STM1422	Lagerset 0,25 ondermaat	Bearing set 0.25 u.s.
	3	STM1423	Lagerset 0,50 ondermaat	Bearing set 0.50 u.s.
4	3	STM1097	Drijfstang cpl.	Rod cpl.
5	6	STM2557	Moer	Nut
6	6	STM2558	Bout	Bolt
7	1	STM1179	Tandwiel	Gear
8	1	STM3918	Krukas	Crankshaft
9	1	STM3919	Pulley krukas	Pulley crankshaft
10	1	STM1182	Moer	Nut
11	1	STM1183	Ring	Washer
12	1	STM1184	Ring	Washer
13	2	STM1185	Spie	Key
14	1	STM3920	Vliegwiel cpl.	Flywheel assy
15	1	STM3600	Tandkrans	Gear
16	4	STM1187	Bout	Bolt

groep/ group	blz./ page	type	omschrijving/description	datum/date
2	5	M3.09	Krukas Crankcase	11 06 01



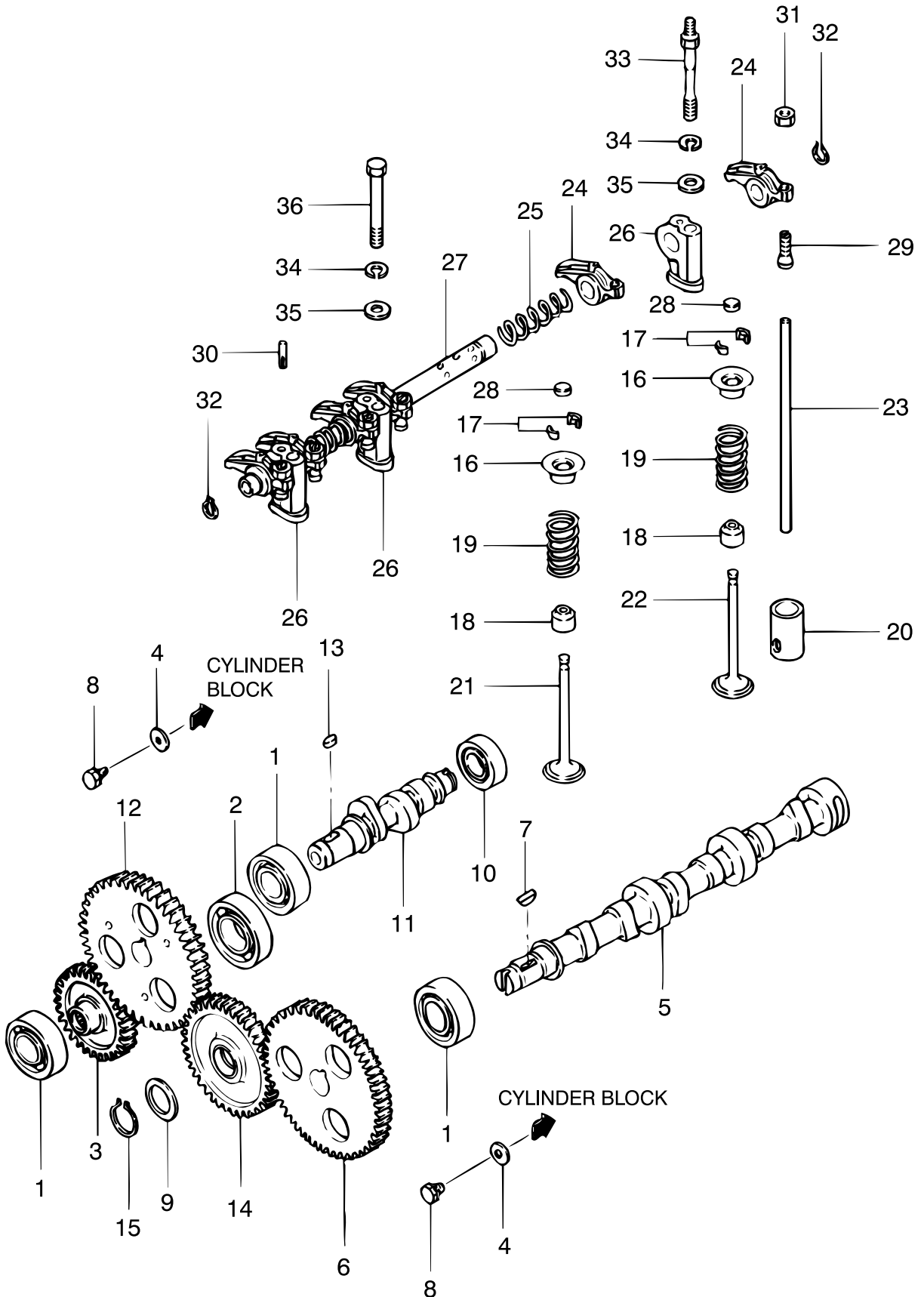
onderdelencatalogus parts catalogue



groep/ group 2	blz./ page 6	type M3.09	omschrijving/description Distributie Time Gear	datum/date 11 06 01
----------------------	--------------------	---------------	--	------------------------

pos.	qty	part	benaming	description
1	3	STM1198	Lager	Bearing
2	1	STM1189	Lager	Bearing
3	1	STM1190	Tandwiel	Gear
4	2	STM1191	Ring	Washer
5	1	STM3921	Nokkenas	Camshaft
6	1	STM1193	Tandwiel	Gear
7	1	STM3604	Spie	Key
8	2	STM1195	Bout	Bolt
9	1	STM1197	Ring	Washer
10	1	STM1199	Lager	Bearing
11	1	STM3922	As	Shaft
12	1	STM1201	Tandwiel	Gear
13	1	STM1202	Spie	Key
14	1	STM1204	Tandwiel cpl	Gear assy
15	1	STM1206	Ring	Washer
16	6	STM3620	Veerschotel	Retainer valve stem
17	12	STM2588	Klepzie	Lock valve retainer
18	6	STM2589	Keerring	Seal
19	6	STM3923	Klepveer	Valve spring
20	6	STM1208	Klepstoter	Tappet
21	3	STM1209	Klep inlaat	Valve intake
22	3	STM1442	Klep uitlaat	Valve exhaust
23	6	STM1211	Stoterstang	Rod push
24	6	STM1212	Tuimelaar	Rocker arm
25	2	STM3612	Veer	Spring
26	6	STM3613	Steun tuimelaaras	Stay rocker shaft
27	1	STM3924	As	Shaft
28	3	STM1213	Deksel, klepsteel	Cap, valve stem
29	6	STM1215	Schroef	Srew
30	1	STM1216	Pen	Pin
31	6	STM1217	Moer	Nut
32	2	STM3614	Borg ring	Snap ring
33	2	STM1218	Bout	Bolt
34	3	STM1219	Ring	Washer
35	3	STM1220	Ring	Washer
36	1	STM3925	Bout	Bolt

groep/ group	blz./ page	type	omschrijving/description	datum/date
2	6	M3.09	Distributie Time Gear	11 06 01



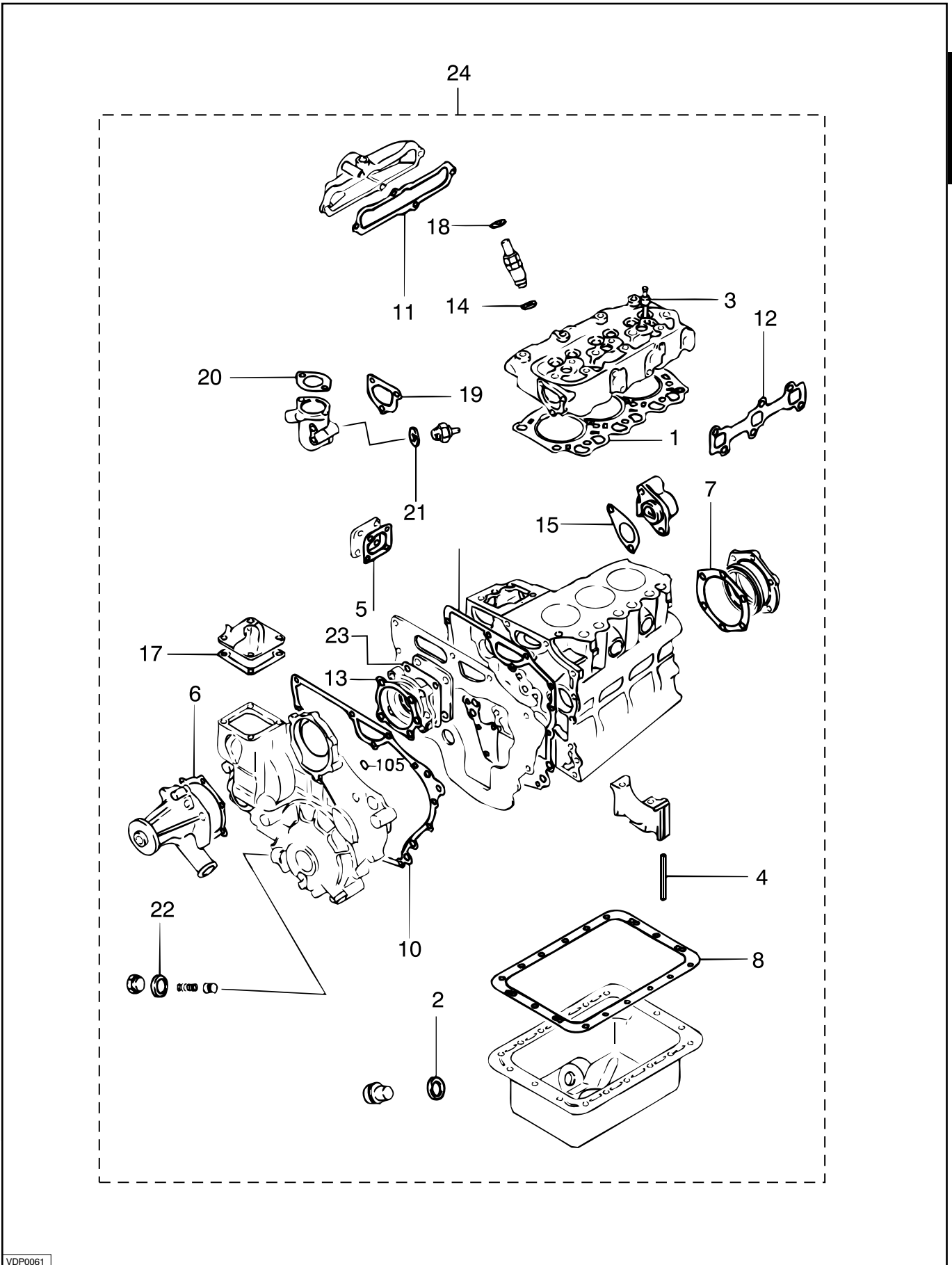
onderdelencatalogus parts catalogue



groep/ group	blz./ page	type	omschrijving/description	datum/date
2	7	M3.09	Pakkingset Gasket kit	11 06 01

pos.	qty	part	benaming	description
1	1	STM3915	Cilinderkoppakking	Cylinder head gasket
2	2	STM1133	Pakking aftap plug	Gasket drain plug
3	6	STM2589	Keerring	Seal
4	4	STM1101	Dichting	Seal
5	1	STM3925	Pakking pomp deksel	Gasket tie rod cover
6	1	STM3926	Pakking waterpomp	Gasket waterpomp
7	1	STM3901	Pakking achterplaat	Gasket oilcase
8	1	STM3908	Pakking carterpan	Gasket oilpan
9	1	STM3903	Pakking voorplaat	Gasket frontplate
10	1	STM3910	Pakking distributie deksel	Gasket gearcase
11	1	STM3927	Pakking luchtinlaat	Gasket air intake
12	1	STM6280	Pakking uitlaat	Gasket exhaust
13	1	STM3911	Pakking	Gasket
14	3	STM1299	Pakking verstuiverhouder	Gasket nozzle holder
15	1	STM3902	Pakking opvoerpomp	Gasket pump
16	2	STM1155	O-ring	O-ring
17	1	STM3928	Pakking	Gasket
18	3	STM1303	Pakking	Gasket
19	1	STM3967	Pakking	Gasket
20	1	STM6251	Pakking thermostaathuis	Gasket thermostate housing
21	1	STM6269	Ring	Ring
22	1	STM1141	Pakking	Gasket
23	1	STM2526	Pakking oliepompdelsel	Gasket oil pump cover
24	1	STM3900	Pakkingset	Gasket kit

groep/ group	blz./ page	type	omschrijving/description	datum/date
2	7	M3.09	Pakkingset Gasket kit	11 06 01



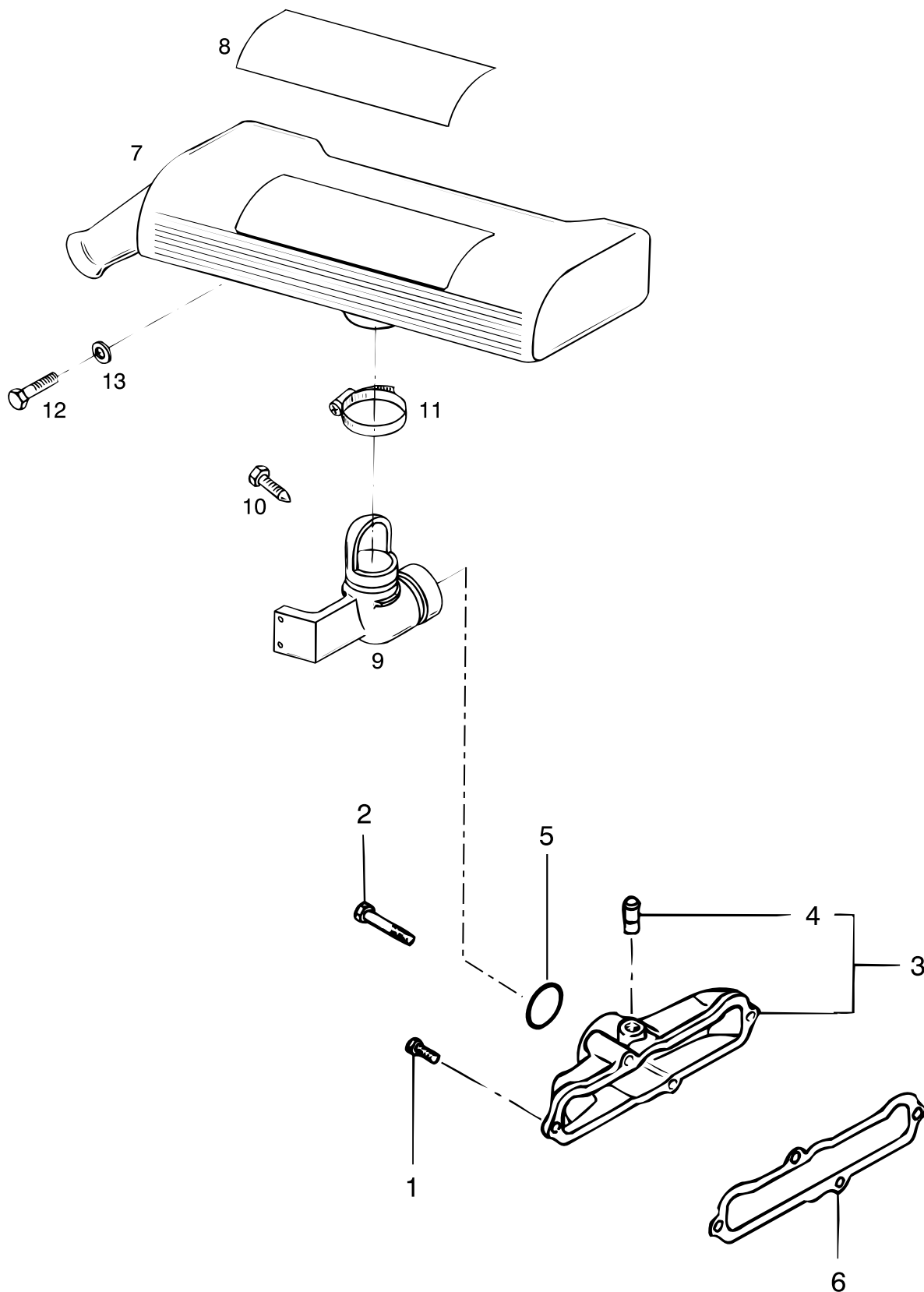
onderdelencatalogus parts catalogue



groep/ group	blz./ page	type	omschrijving/description	datum/date
2	8	M3.09	Luchtinlaat Air intake	11 06 01

pos.	qty	part	benaming	description
1	2	STM1222	Bout	Bolt
2	2	STM1223	Bout	Bolt
3	1	STM3929	Deksel inlaat	Cover inlet
4	1	STM1225	Pijp	Pipe
5	1	STM6120	O-ring 36x3,5	O-ring 36x3,5
6	1	STM3927	Pakking inlaat	Gasket intake
7	1	STM6289	Luchtinlaatkast	Air intake housing
8	1	STM6288	Sticker	Sticker
9	1	STM6114	Luchtinlaat bocht	Air intake bend
10	1	STM6139	Stelschroef M6x12	Setting screw M6x12
11	1	STM3012	Slangklem 38x50	Hose clamp 38x50
12	1	STM3355	Bout M8x20	Bolt M8x20
13	1	STM3749	Ring	Washer

groep/ group	blz./ page	type	omschrijving/description	datum/date
2	8	M3.09	Luchtinlaat Air intake	11 06 01



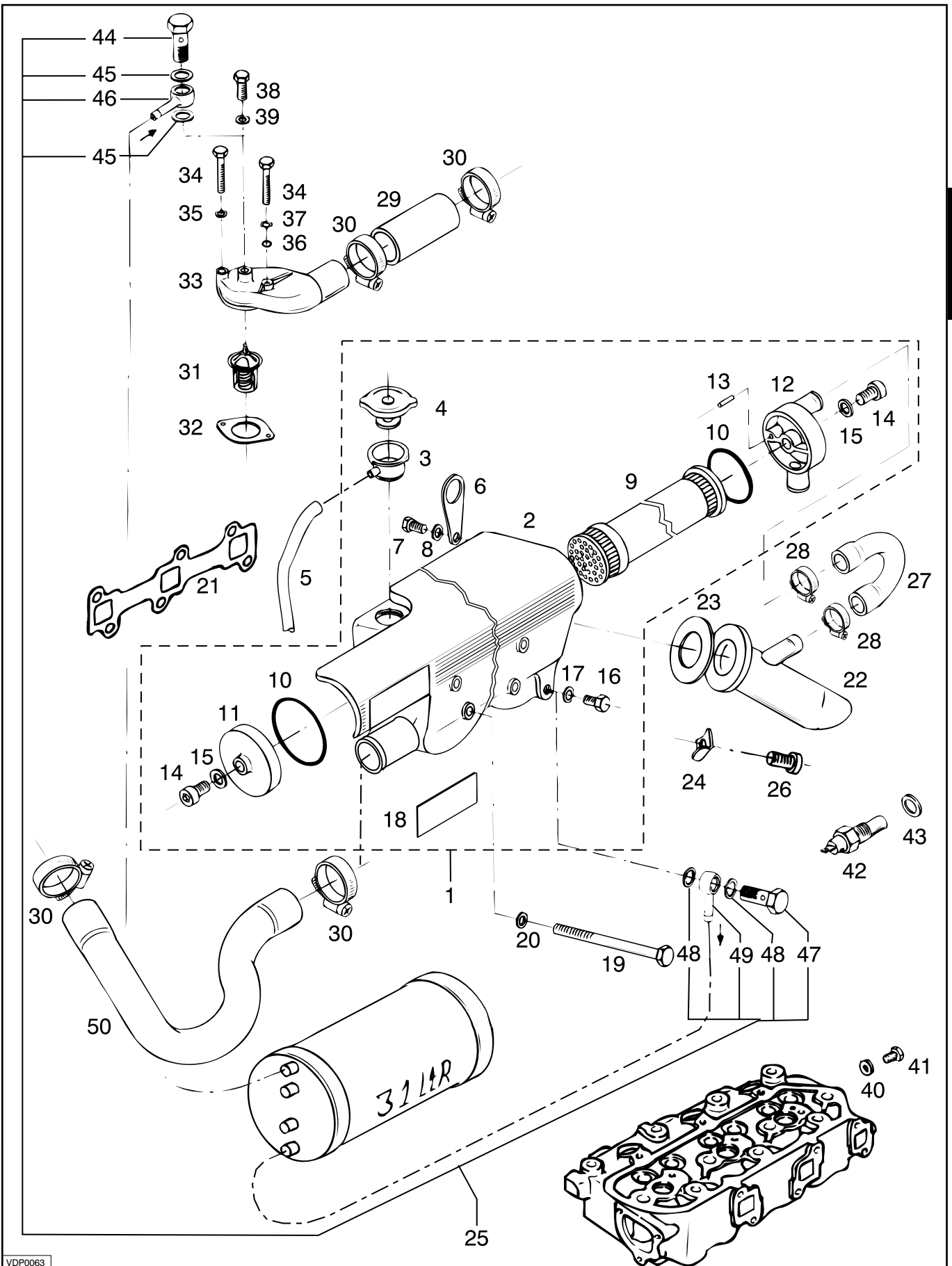
onderdelencatalogus parts catalogue



groep/ group	blz./ page	type	omschrijving/description	datum/date
3	1	M3.09	Warmtewisselaar Units Heatexchanger units	11 06 01

pos.	qty	part	benaming	description
1	1	STM6243	Warmtewisselaar compl.	Heatexchanger housing compl.
2	1	STM6242	Warmtewisselaar huis	Heatexchanger housing
3	1	STM6108	Vulnek	Filler neck
4	1	STM1017	Vuldop 0,5 Bar	Filler cap 0.5 Bar
5	1	STM1027	Slang	Hose
6	1	STM6254	Hijsoog	Lifting eye
7	1	STM3355	Bout M8x20	Bolt M8x20
8	1	STM1056	Ring	Washer
9	1	STM6281	Pijpenbundel	Tube stack
10	2	STM6113	O-ring 61x2,5	O-ring 61x2.5
11	1	STM6132	Deksel	Cover
12	1	STM6131	Deksel	Cover
13	1	STM6130	Spanbus	Spring type straight pin slotted
14	2	STM1006	Inbus bout M8x30	Allen screw M8x30
15	2	STM1007	Ring	Washer
16	1	STM1059	Plug M14x1,5	Plug M14x1.5
17	1	STM1062	Ring	Washer
18	1	STM6157	Logoplaatje	Logo plate
19	6	STM6121	Bout M8x110	Bolt M8x110
20	6	STM1019	Ring	Washer
21	1	STM6280	Pakking	Gasket
22	1	STM6117	Uitlaat inject. bocht ø 40	Exhaust injection bend ø 40
23	1	STM6152	Pakking	Gasket
24	3	STM6126	Kikkerplaatje	Clamp plate
25	1	STM6235	Set boiler aansluiting	Kit boiler connection
26	3	STM6299	Inbusbout M8x20	Allen screw M8x20
27	1	STM6124	Rubber bocht	Rubber bend
28	2	STM2012	Slangklem 19-28	Hose clamp 19-28
29	1	STM6138	Slang	Hose
30	4	STM6116	Slangklem 26-38	Hose clamp 26-38
31	1	STM6250	Thermostaat 82°C	Thermostat 82°C
32	1	STM6251	Pakking	Gasket
33	1	STM6112	Thermostaat huis	Thermostat housing
34	2	STM6155	Bout M6x35	Bolt M6x35
35	1	STM1025	Ring	Washer
36	1	STM6118	O-ring 6x2	O-ring 6x2
37	1	STM6156	Ring	Washer
38	1	STM6147	Bout M10x1,5x12	Bolt M10x1.5x12
39	1	STM2018	Ring	Washer
40	1	STM1007	Ring	Washer
41	1	STM3796	Bout M8x1,25x10	Bolt M8x1.25x10
42	1	STM2006	Temperatuur schakelaar 75°C M18x1,5 1p	Thermoswitch 75°C M18x1.5 1p
43	1	STM2019	Ring	Washer
44	1	STM6199	Banjo bout M10x1,5	Banjo bolt M10x1.5
45	2	STM2018	Afdichtring M10	Seal washer M10
46	1	STM6196	Banjo oog ø 8	Banjo eye ø 8
47	1	STM3518	Banjo bout M14x1,5	Banjo bolt M14x1.5
48	2	STM1062	Afdichtring M14	Seal washer M14
49	1	STM3695	Banjo oog ø 10	Banjo eye ø 10
50	1	STM6178	Slang	Hose

groep/ group	blz./ page	type	omschrijving/description	datum/date
3	1	M3.09	Warmtewisselaar Units Heatexchanger units	11 06 01



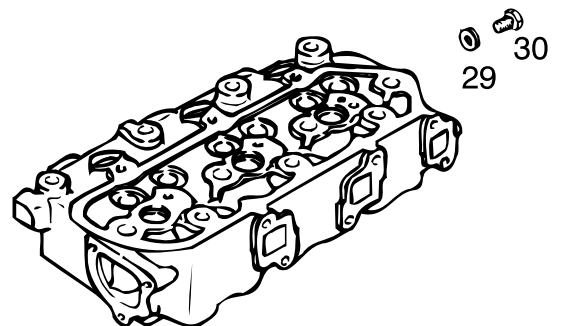
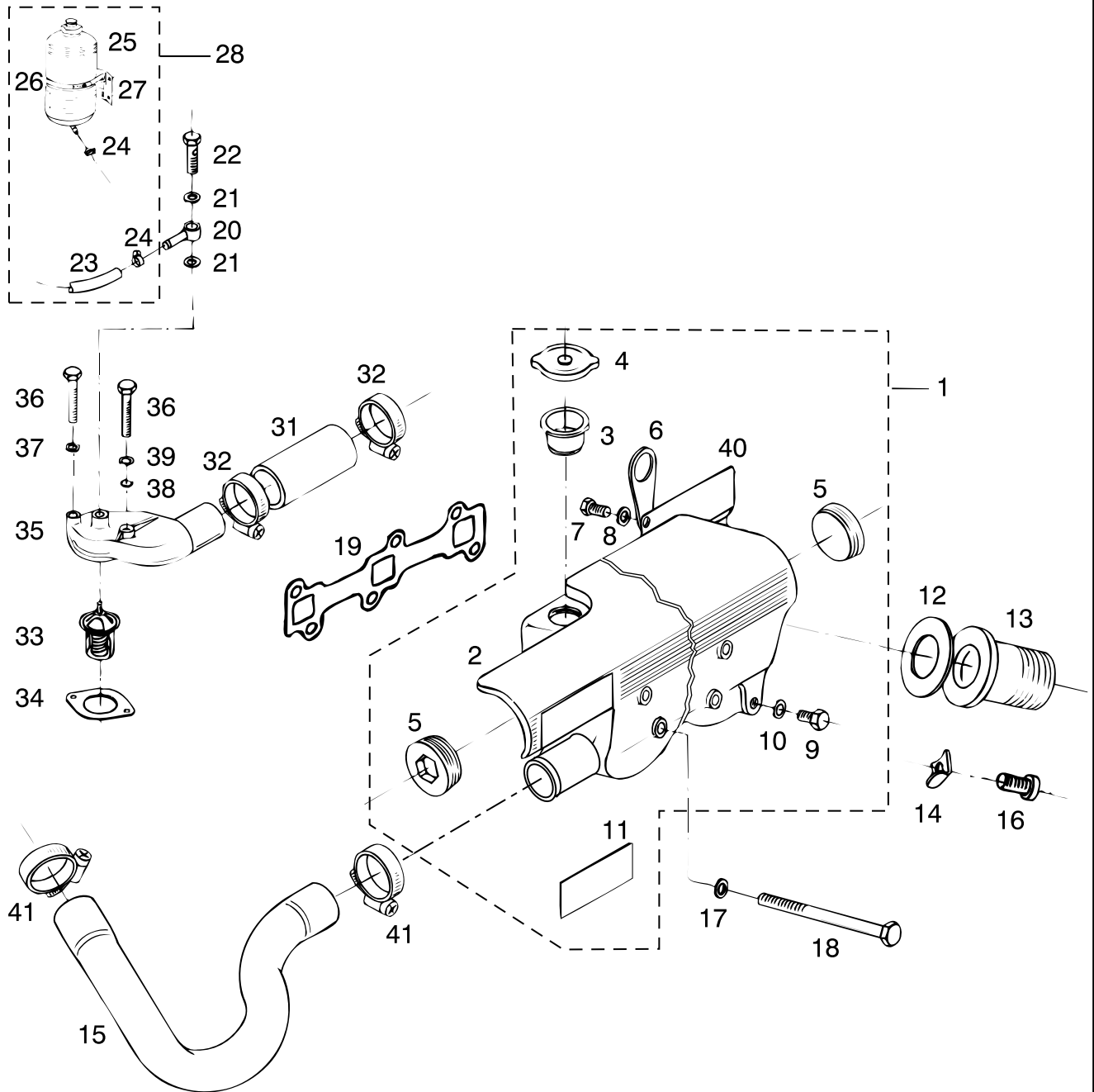
onderdelencatalogus parts catalogue



groep/ group	blz./ page	type	omschrijving/description	datum/date
3	2	M3.09	Kielkoelspruitstuk Keelcooler manifold	11 06 01

pos.	qty	part	benaming	description
1	1	STM6245	Kielkoelspruitstuk compl.	Keelcooler manifold compl.
2	1	STM6244	Kielkoelspruitstuk	Keelcooler manifold
3	1	STM3750	Vulnek	Filler neck
4	1	STM9507	Vuldop 'do not open'	Filler cap 'do not open'
5	2	STM4043	Plug G 1,5	Plug G 1.5
6	1	STM6254	Hijsoog	Lifting eye
7	1	STM3355	Bout M8x20	Bolt M8x20
8	1	STM1056	Ring	Washer
9	1	STM1059	Plug M14x1.5	Plug M14x1.5
10	2	STM1062	Ring	Washer
11	1	STM6157	Logo plaatje	Logo plate
12	1	STM6152	Pakking	Gasket
13	1	STM6179	Uitlaatflens G 1 ¼	Exhaust flange G 1 ¼
14	3	STM6126	Kikkerplaatje	Clamp plate
15	1	STM6178	Slang	Hose
16	3	STM6299	Inbusbout M8x20	Allen screw M8x20
17	6	STM1019	Ring	Washer
18	6	STM6122	Bout M8x110	Bolt M8x110
19	1	STM6280	Pakking	Gasket
20	1	STM6198	Banjo oog	Banjo eye
21	2	STM2018	Ring	Washer
22	1	STM6199	Banjo bout	Banjo bolt
23	1	STM9504	Slang L=1,5 mtr.	Hose L=1,5 mtr.
24	2	STM9505	Slangklem	Hose clamp
25	1	STM9501	Expansie tank	Headertank
26	1	STM9503	Slangklem	Hose clamp
27	1	STM9502	Bevestigingsbeugel	Support
28	1	STM9500	Expansietank compl. (23 t/m. 27)	Headertank compl. (23 till 27)
29	1	STM1007	Ring	Washer
30	1	STM3796	Bout M8x1,25x10	Bolt M8x1.25x10
31	1	STM6138	Slang	Hose
32	2	STM6116	Slangklem 26-38	Hose clamp 26-38
33	1	STM6250	Thermostaat 82°C	Thermostat 82°C
34	1	STM6251	Pakking	Gasket
35	1	STM6112	Thermostaat huis	Thermostat housing
36	2	STM6155	Bolt M6x35	Bolt M6x35
37	1	STM1025	Ring	Washer
38	1	STM6118	O-ring 6x2	O-ring
39	1	STM6156	Ring	Washer
40	1	STM6236	Afschermpaat	Protection plate
41	1	STM6116	Slangklem 26-38	Hoseclamp 26-38

groep/ group	blz./ page	type	omschrijving/description	datum/date
3	2	M3.09	Kielkoelspruitstuk Keelcooler manifold	11 06 01



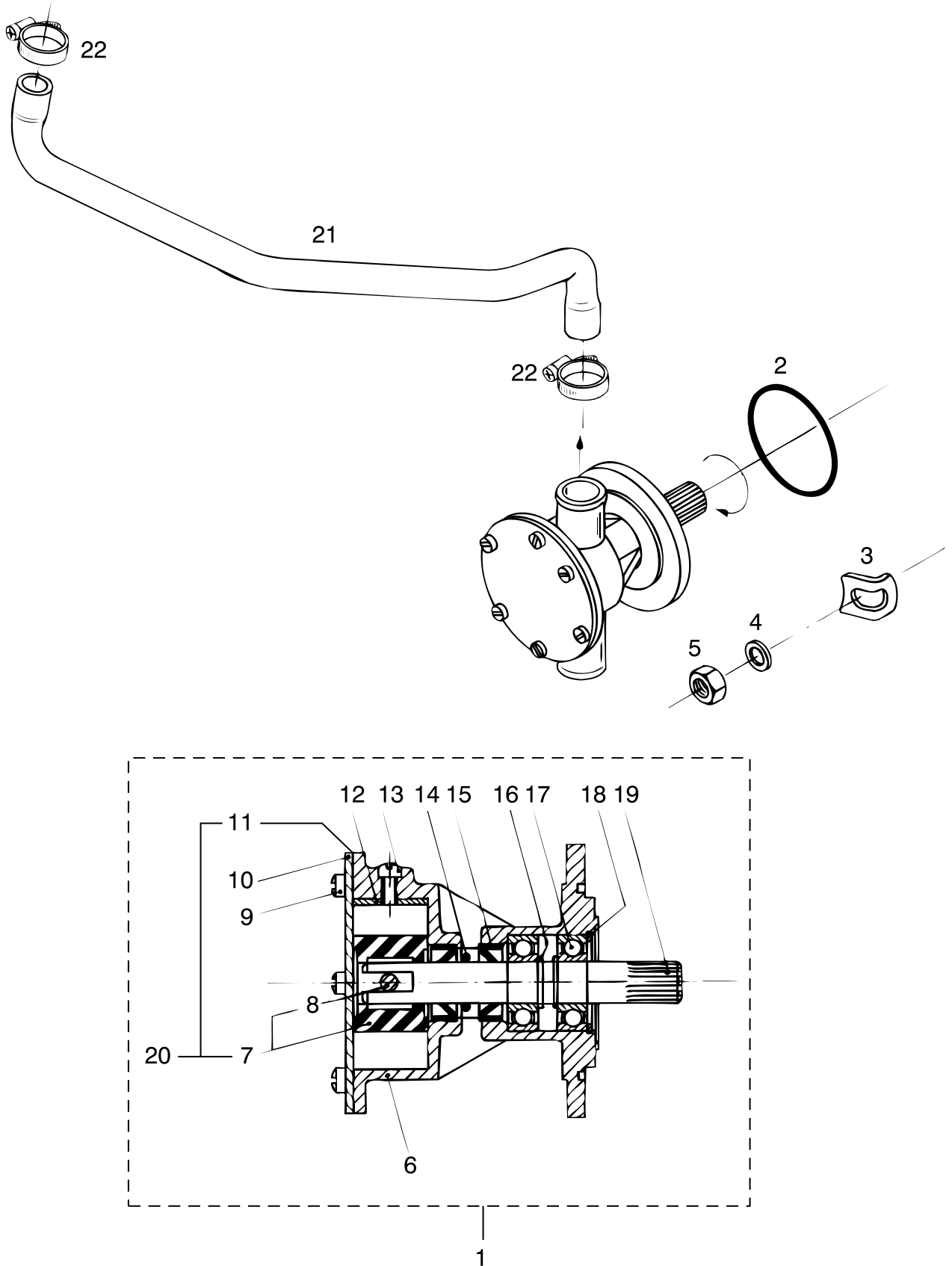
onderdelencatalogus parts catalogue



groep/ group	blz./ page	type	omschrijving/description	datum/date
3	3	M3.09	Zeewater pomp Seawater pump	11 06 01

pos.	qty	part	benaming	description
1	1	STM6109	Pomp ½ kam	Pump ½ cam
2	1	STM6127	O-ring	O-ring
3	4	STM6126	Kikkerplaatje	Clamp plate
4	4	STM1056	Ring	Washer
5	4	STM2005	Moer M8	Nut M8
6	1	STM6160	Huis	Housing
7	1	STM8061	Impeller+schroef	Impeller+screw
8	1	STM6162	Schroef	Screw
9	6	STM6163	Schroef	Screw
10	1	STM6164	Deksel	Cover
11	1	STM6165	Pakking	Gasket
12	1	STM6166	Kam ½ (2mm)	Cam ½ (2mm)
13	1	STM6167	Schroef	Screw
14	1	STM6168	O-ring	O-ring
15	2	STM6169	Keerring	Lip seal
16	2	STM6170	Borgring	Retaining ring
17	2	STM6171	Lager	Bearing
18	1	STM6172	Borgring	Retaining ring
19	1	STM6173	As	Shaft
20	1	STM6174	Rep.set 7+11	Repair kit 7+11
21	1	STM6247	Slang	Hose
22	2	STM2012	Slangklem 19-28	Hose clamp 19-28

groep/ group	blz./ page	type	omschrijving/description	datum/date
3	3	M3.09	Zeewater pomp Seawater pump	11 06 01



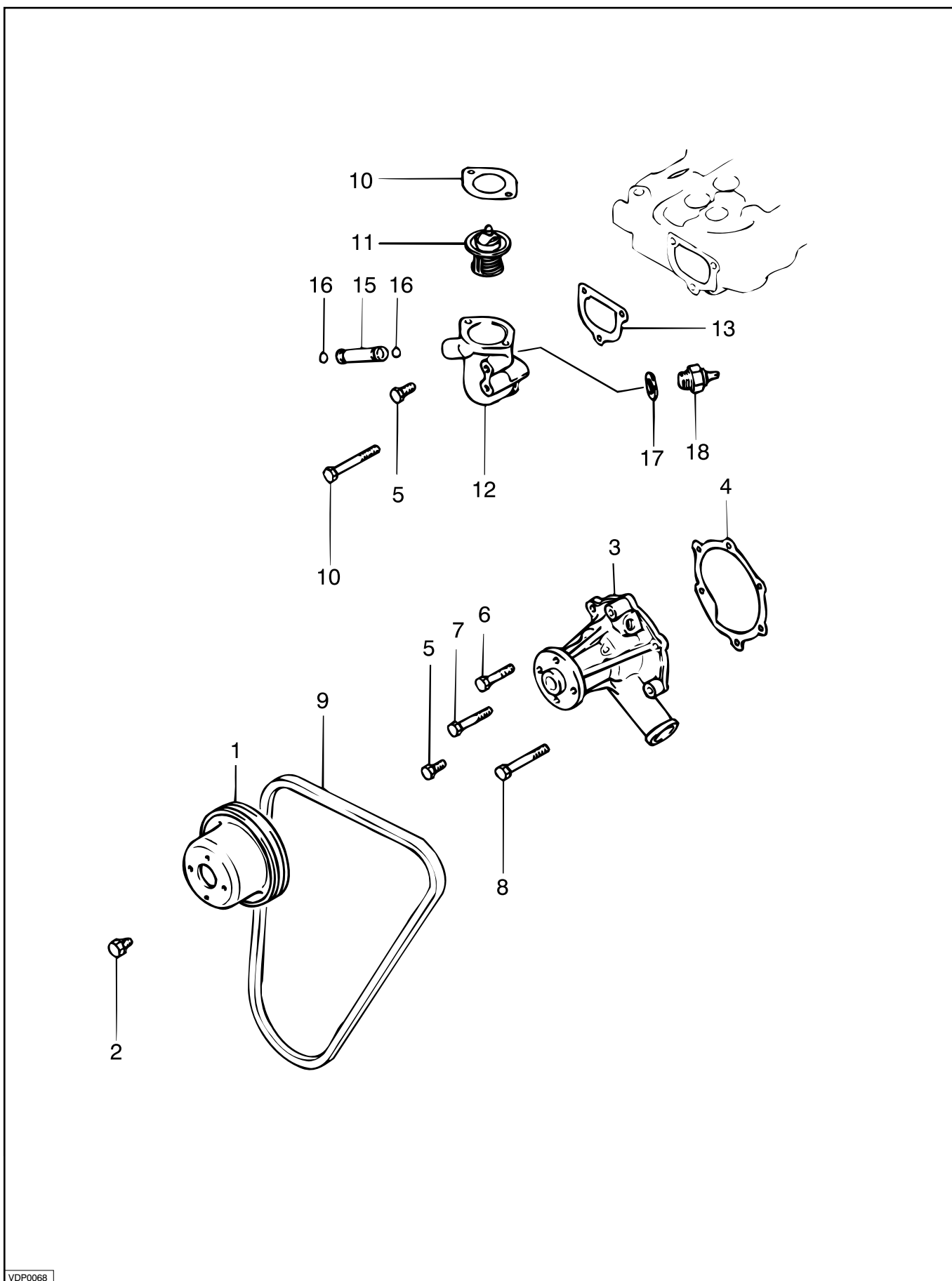
onderdelencatalogus parts catalogue



groep/ group	blz./ page	type	omschrijving/description	datum/date
3	4	M3.09	Circulatiepomp Circulation pump	11 06 01

pos.	qty	part	benaming	description
1	1	STM1227	Pulley waterpomp	Pulley water pump
2	4	STM1228	Bout	Bolt
3	1	STM1229	Circulatiepomp	Circulation pump
4	1	STM3926	Pakking	Gasket
5	2	STM1231	Bout	Bolt
6	2	STM6155	Bout	Bolt
7	1	STM1232	Bout	Bolt
8	2	STM1233	Bout	Bolt
9	1	STM7369	V-snaar	V-belt
10	1	STM6251	Pakking	Gasket
11	1	STM6250	Thermostaat 82°C	Thermostate 82°C
12	1	STM1234	Houder	Fitting
13	1	STM3928	Pakking	Gasket
14	1	STM1236	Bout	Bolt
15	1	STM1237	Pijp	Pipe
16	2	STM1238	O-ring	O-ring
17	1	STM6269	Dichtring	Seal washer
18	1	STM6268	Temperatuur schakelaar 111°C binnenwater M16x1,5 1p	Thermo switch 111°C coolend M16x1,5 1p

groep/ group	blz./ page	type	omschrijving/description	datum/date
3	4	M3.09	Circulatiepomp Circulationpump	11 06 01



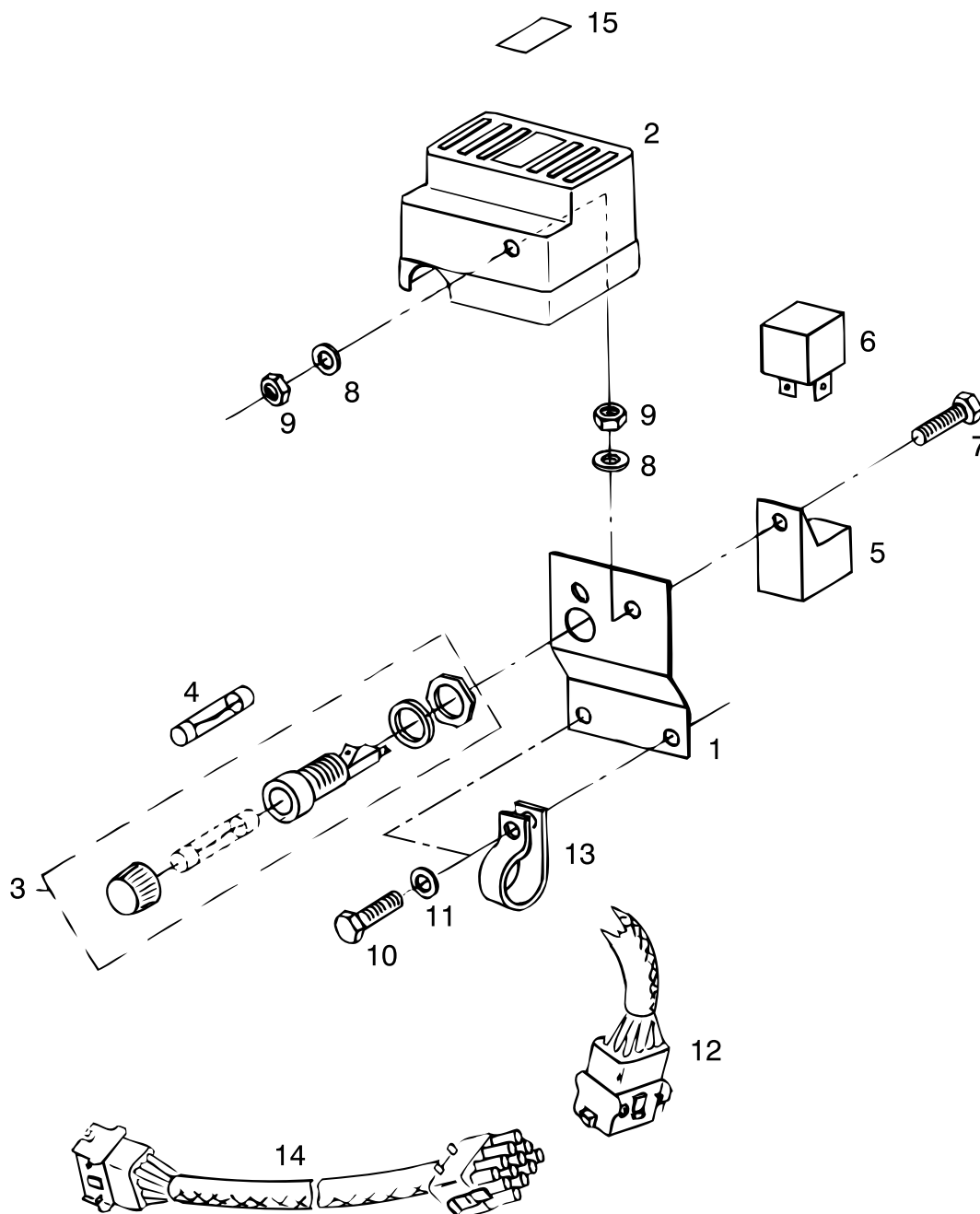
onderdelencatalogus parts catalogue



groep/ group	blz./ page	type	omschrijving/description	datum/date
4	1	M3.09	Bedradingskast Terminal box	11 06 01

pos.	qty	part	benaming	description
1	1	STM6246	Bedradingssteun	Wiring support
2	1	STM6248	Deksel	Cover
3	1	STM9184	Zekeringhouder	Fuse support
4	1	STM9185	Zekering 10A traag ø6,3x32	Fuse 10A slow ø6,3x32
5	1	STM9052	Insteekvoet	Relay foot
6	1	STM9050	Relais	Relay
7	1	CT40075	Bout M5x16	Bolt M5x16
8	2	STM8177	Gegolfde veerring M5	Wave spring washer M5
9	2	STM1705	Moer M5	Nut M5
10	2	STM3355	Bout M8x20	Bolt M8x20
11	2	STM1019	Ring	Washer
12	1	STM6229	Motorbedrading	Engine Wiring
13	1	STM3066	Leidingklem	Pipe Clamp
14	1	STM9056	Tussenkabel 2mtr.	Connection Cable 2mtr
	1	STM9119	Tussenkabel 4mtr.	Connection Cable 4mtr
15	1	STM7591	Sticker	Sticker

groep/ group	blz./ page	type	omschrijving/description	datum/date
4	1	M3.09	Bedradingskast Terminal box	11 06 01



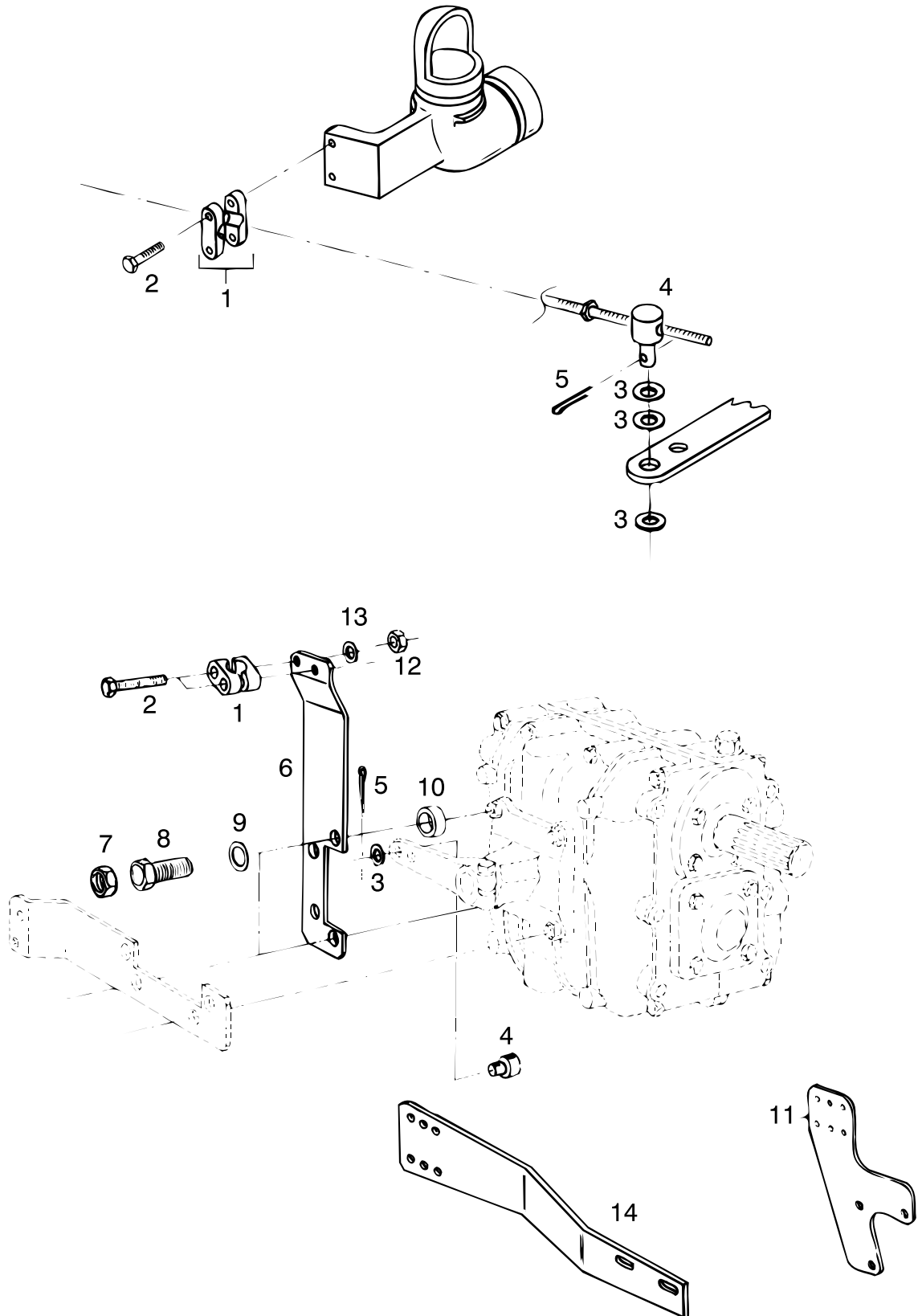
onderdelencatalogus parts catalogue



groep/ group 4	blz./ page 2	type M3.09	omschrijving/description Bediening Controls	datum/date 11 06 01
----------------------	--------------------	---------------	---	------------------------

pos.	qty	part	benaming	description
1	2	STM1703	Kabelklem	Cable clamp
2	2	STM1704	Bout M5x25	Bolt M5x25
3	4	STM1807	Ring	Washer
4	2	STM1806	Nippel	Nipple
5	2	STM1808	Splitpen 2x25	Split pin 2x25
6	1	STM1851	Steun Hurth	Support Hurth
7	2	STM2005	Moer M8	Nut M8
8	2	STM1610	Bout M8x25	Bolt M8x25
9	2	STM1019	Ring	Washer
10	2	STM1852	Afstandbus	Distance washer
11	1	STM3767	Steun PRM	Support PRM
12	2	STM1705	Moer M5	Nut M5
13	2	STM1707	Ring M5	Washer M5
14	1	STM6238	Steun TMC40	Support TMC40

groep/ group	blz./ page	type	omschrijving/description	datum/date
4	2	M3.09	Bediening Controls	11 06 01



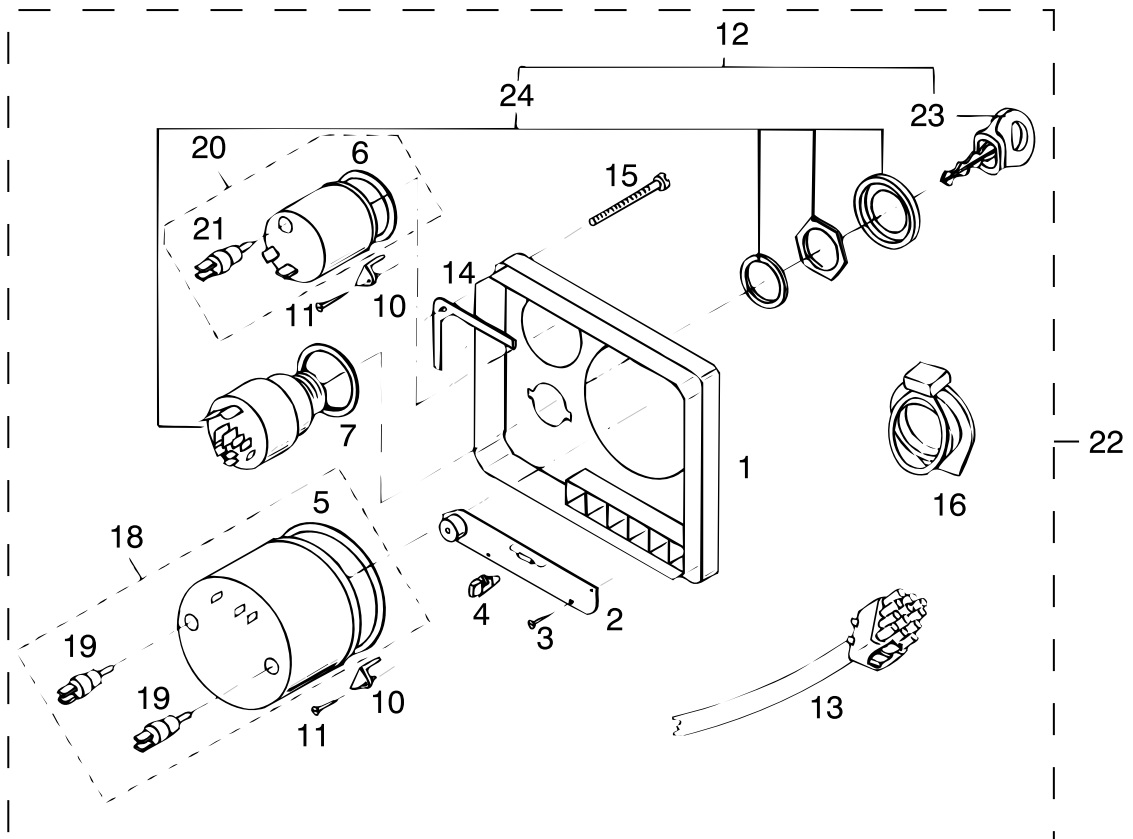
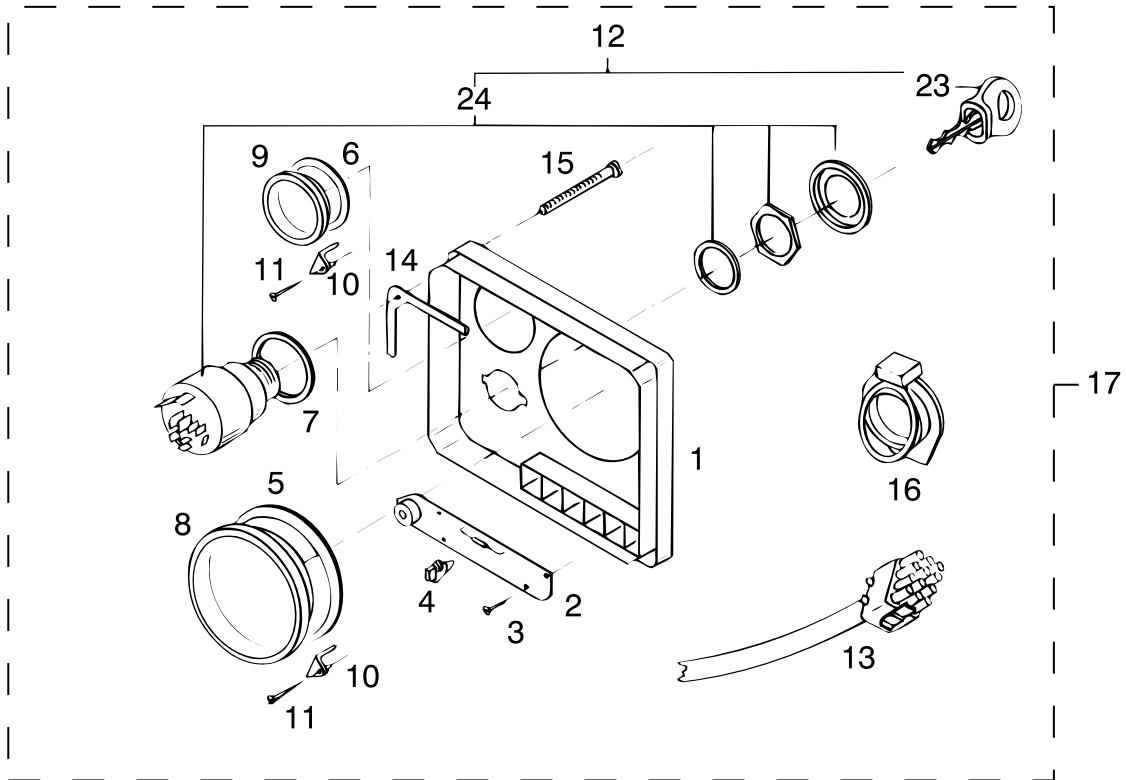
onderdelencatalogus parts catalogue



groep/ group	blz./ page	type	omschrijving/description	datum/date
4	3	M3.09	Instrumenten paneel Instrument panel	11 06 01

pos.	qty	part	benaming	description
1	1	STM9186	Paneel	Panel
2	1	STM9168	Print cpl.	Print cpl.
3	4	P2295RKP	Plaatschroef	Screw
4	6	STM9169	Gloeilamp	Bulb
5	1	STM9170	Pakking	Gasket
6	1	STM9171	Pakking	Gasket
7	1	STM9172	Pakking	Gasket
8	1	STM9173	Blindplaat Ø98	Blind plate Ø98
9	1	STM9174	Blindplaat Ø48	Blind plate Ø48
10	6	PA6488	Beugel	Support
11	6	P35164RKP	Plaatschroef	Screw
12	1	STM9215	Contactsloot & sleutel	Key switch & key
13	1	STM9164	Paneelbedrading	Panel wiring
14	1	STM9180	Pakking	Gasket
15	4	P35254ZKP	Plaatschroef	Screw
16	1	STM9188	Contactslootdeksel	Ignition cover
17	1	STM9187	Instr.paneel cpl zonder meters	Instr.paneel compl. without meters
18	1	STM6207	Toeren / urenteller	Tachometer / hourcounter
19	2	CT40131	Gloeilamp 12V	Bulb 12V
20	1	STM9177	Voltmeter	Voltmeter
21	1	CT40133	Gloeilamp 12V	Bulb 12V
22	1	STM9191	Instr.pan.cpl.incl. meters	Instrument panel cpl. meters included
23	1	STM9214	Sleutel	Key
24	1	STM9213	Contactsloot	Key switch

groep/ group	blz./ page	type	omschrijving/description	datum/date
4	3	M3.09	Instrumenten paneel Instrument panel	11 06 01



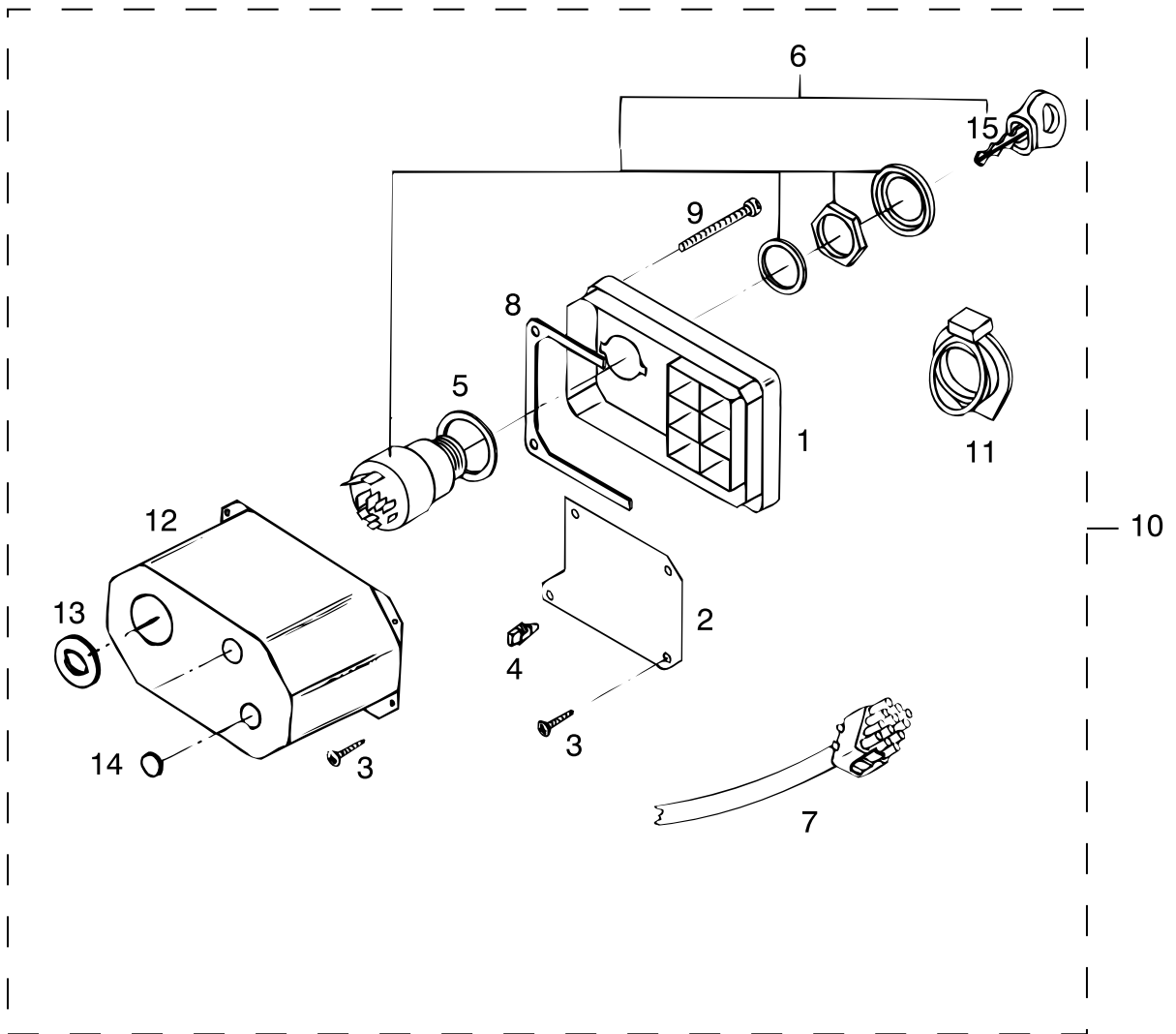
onderdelencatalogus parts catalogue



groep/ group	blz./ page	type	omschrijving/description	datum/date
4	4	M3.09	Instrumenten paneel MP10 'zeilboot' Instrument panel MP10	11 06 01

pos.	qty	part	benaming	description
1	1	STM9065	Paneel	Panel
2	1	STM9066	Print cpl.	Print cpl
3	8	P2295RKP	Plaatschroef	Screw
4	6	STM9169	Gloeilamp	Bulb
5	1	STM9172	Pakking	Gasket
6	1	STM9215	Contactslot & steutel	Key switch & key
7	1	STM9067	Paneelbedrading	Panel wiring
8	1	STM9068	Pakking	Gasket
9	4	P35254ZKP	Plaatschroef	Screw
10	1	STM9064	Instr.paneel cpl.	Instr.panel cpl.
11	1	STM9188	Contactslot deksel	Key switch cover
12	1	STM9069	Beschermkap	Protective cap
13	2	STM7254	Blindplaat	Hole plug
14	1	STM9213	Contactslot	Key switch
15	1	STM9214	Sleutel	Key
16	1	STM7222	Doorvoertule	Grommet

groep/ group	blz./ page	type	omschrijving/description	datum/date
4	4	M3.09	Instrumenten paneel MP10 'zeilboot' Instrument panel MP10	11 06 01



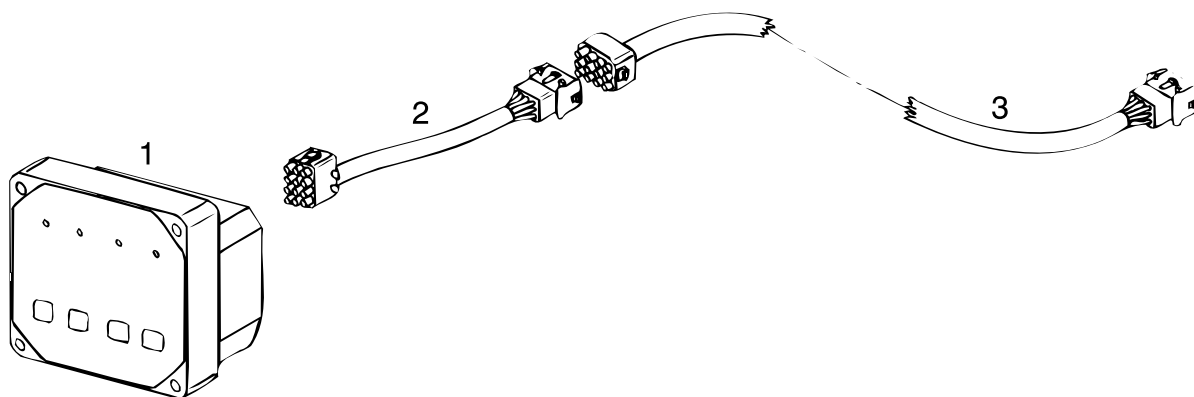
onderdelencatalogus parts catalogue



groep/ group	blz./ page	type	omschrijving/description	datum/date
4	5	M3.09	Instrumenten paneel MP00 Instrument panel MP00	11 06 01

pos.	qty	part	benaming	description
1	1	MP00	Paneel cpl.	Panel cpl.
2	1	STM9135	Interfacekabel (BEDR002)	Interface cable (BEDR002)
3	1	STM9056	Tussenkabel 2mtr. (BEDR1202)	Intermediate cable mtr. (BEDR1202)
	1	STM9119	Tussenkabel 4mtr. (BEDR1204)	Intermediate cable 4mtr. (BEDR1204)
	1	STM9132	Tussenkabel 6mtr. (BEDR1206)	Intermediate cable 6mtr. (BEDR1206)
	1	STM3890	Tussenkabel 12mtr. (BEDR1212)	Intermediate cable 12mtr. (BEDR1212)

groep/ group	blz./ page	type	omschrijving/description	datum/date
4	5	M3.09	Instrumenten paneel MP00 Instrument panel MP00	11 06 01



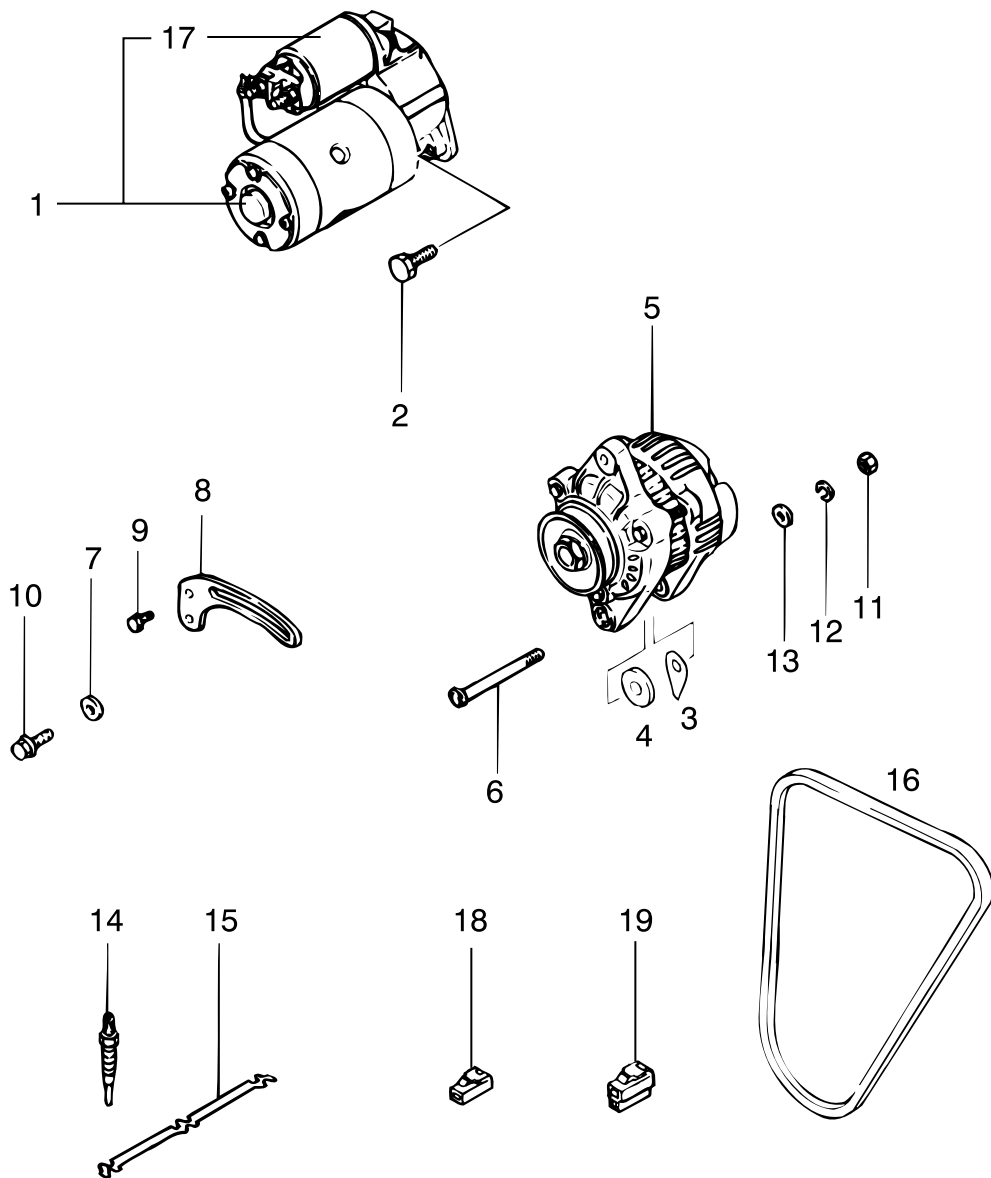
onderdelencatalogus parts catalogue



groep/ group	blz./ page	type	omschrijving/description	datum/date
4	6	M3.09	Startmotor en dynamo Starter motor and alternator	11 06 01

pos.	qty	part	benaming	description
1	1	STM1241	Startmotor	Starter assy
2	2	STM4013	Bout	Bolt
3	1	STM1660	Shim	Shim
4	1	STM1242	Vulring	Spacer
5	1	STM3931	Dynamo 12V-40A	Alternator 12V-40A
6	1	STM1620	Bout	Bolt
7	1	STM3749	Ring	Washer
8	1	STM3930	Spansteun	Tension support
9	1	STM1245	Bout	Bolt
10	1	STM3683	Bout	Bolt
11	1	STM1246	Moer	Nut
12	1	STM1056	Ring	Washer
13	1	STM1247	Ring	Washer
14	3	STM6265	Gloeiplug	Glow plug
15	1	STM3932	Strip	Plate
16	1	STM7369	V-snaar	V-belt
17	1	STM1250	Relais	Switch assy
18	1	STM6277	Stekkerhuls	Connector
19	1	STM6278	Stekkerhuls	Connector

groep/ group	blz./ page	type	omschrijving/description	datum/date
4	6	M3.09	Startmotor en dynamo Starter motor and alternator	11 06 01



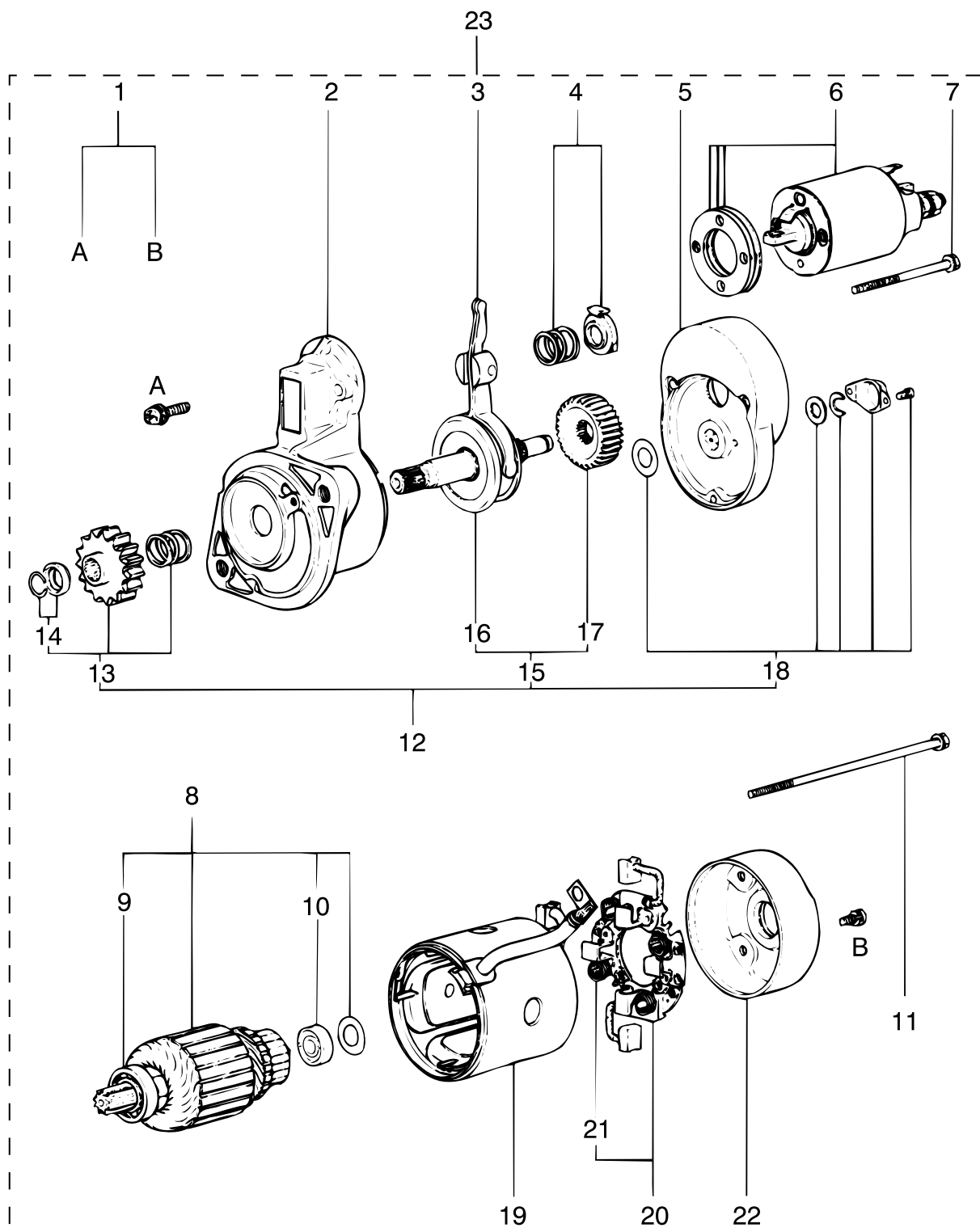
onderdelencatalogus parts catalogue



groep/ group	blz./ page	type	omschrijving/description	datum/date
4	7	M3.09	Startmotor Starter motor	11 06 01

pos.	qty	part	benaming	description
1	1	STM1251	Schroeven set	Screw set
2	1	STM1252	Lantaarn stuk	Bracket assy
3	1	STM1253	Hefboom	Lever assy
4	1	STM1254	Verenset	Spring set
5	1	STM1255	Lantaarn stuk	Bracket assy
6	1	STM1250	Relais	Switch assy
7	1	STM1256	Bout set	Bolt set
8	1	STM1257	Rotor	Armature set
9	1	STM1258	Lager	Bearing
10	1	STM1259	Lager	Bearing
11	2	STM1260	Bout	Bolt
12	1	STM1261	Koppelingas, compl.	Coupling shaft, assy.
13	1	STM1262	Rondsel set	Pinion set
14	1	STM1263	Aanslag	Stopper set
15	1	STM1264	Tandwiel set	Gear set
16	1	STM1265	Rondselas, compl.	Pinion shaft assy.
17	1	STM1266	Tandwiel	Gear
18	1	STM1267	Set voor deksel	Cover set
19	1	STM1268	Stator huis	Yoke assy
20	1	STM1269	Borstelhouder cpl	Brush holder cpl
21	1	STM1270	Veer	Spring
22	4	STM1271	Beugel	Bracket assy
23	1	STM1241	Startmotor cpl.	Starter assy

groep/ group	blz./ page	type	omschrijving/description	datum/date
4	7	M3.09	Startmotor Starter motor	11 06 01



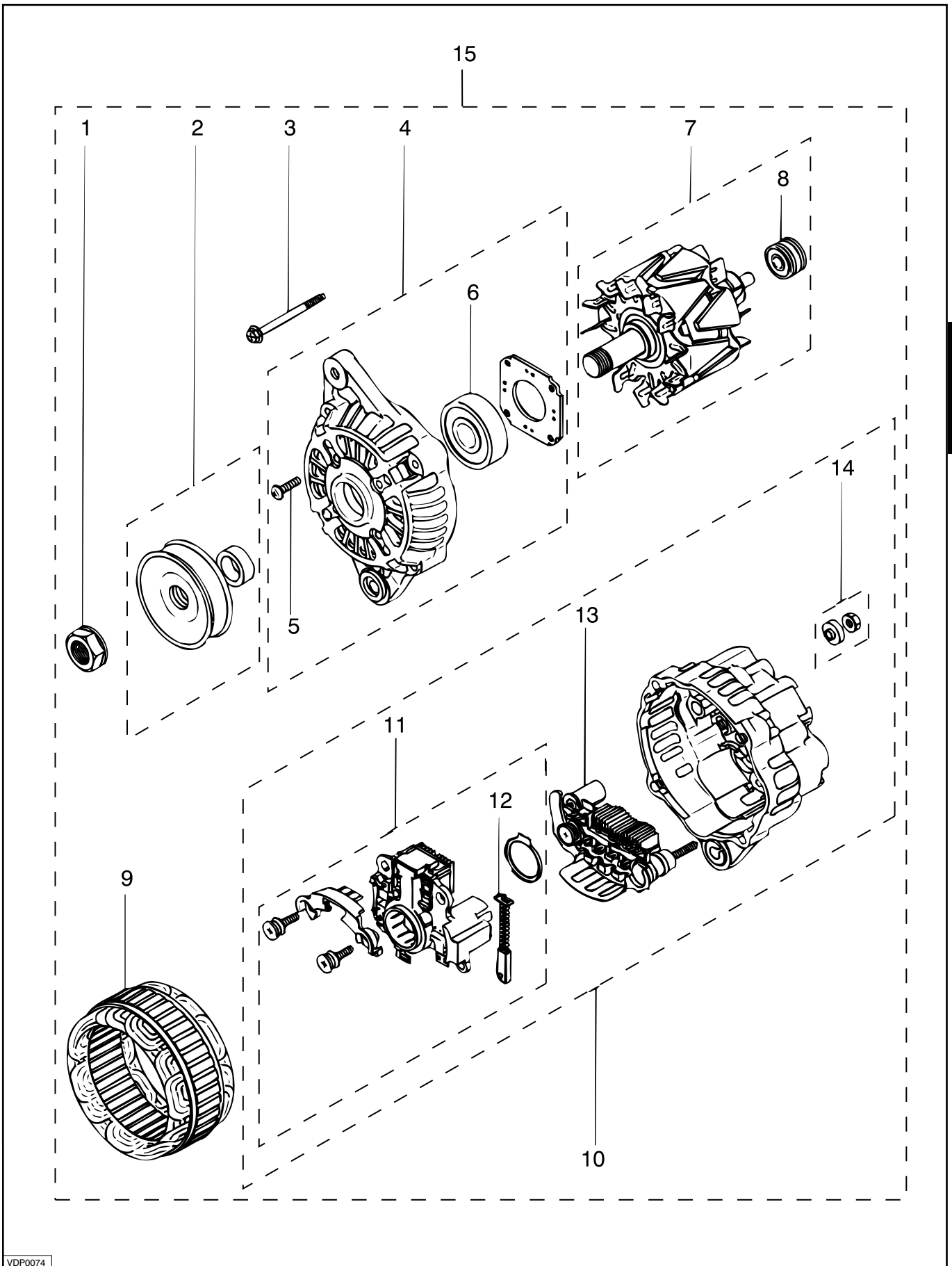
onderdelencatalogus parts catalogue



groep/ group	blz./ page	type	omschrijving/description	datum/date
4	8	M3.09	Dynamo Alternator	11 06 01

pos.	qty	part	benaming	description
1	1	STM3932	Moer	Nut
2	1	STM3933	Pulley set	Pulley set
3	1	STM3934	Bout set	Bolt set
4	1	STM3935	Voordeksel cpl.	Bracket assy
5	1	STM3936	Set schroeven	Screw set
6	1	STM3937	Lager	Bearing
7	1	STM3938	Rotor	Rotor assy
8	1	STM3939	Lager	Bearing
9	1	STM3940	Stator	Stator assy
10	1	STM3941	Achterdeksel cpl.	Rear bracket
11	1	STM3942	Regulator	Regulator assy
12	2	STM3943	Borstel set	Brush set
13	1	STM3944	Diodebrug	Rectifier assy
14	1	STM3945	Moer set	Nut set
15	1	STM3931	Dynamo 12V-40Amp	Alternator 12V-40Amp

groep/ group	blz./ page	type	omschrijving/description	datum/date
4	8	M3.09	Dynamo Alternator	11 06 01



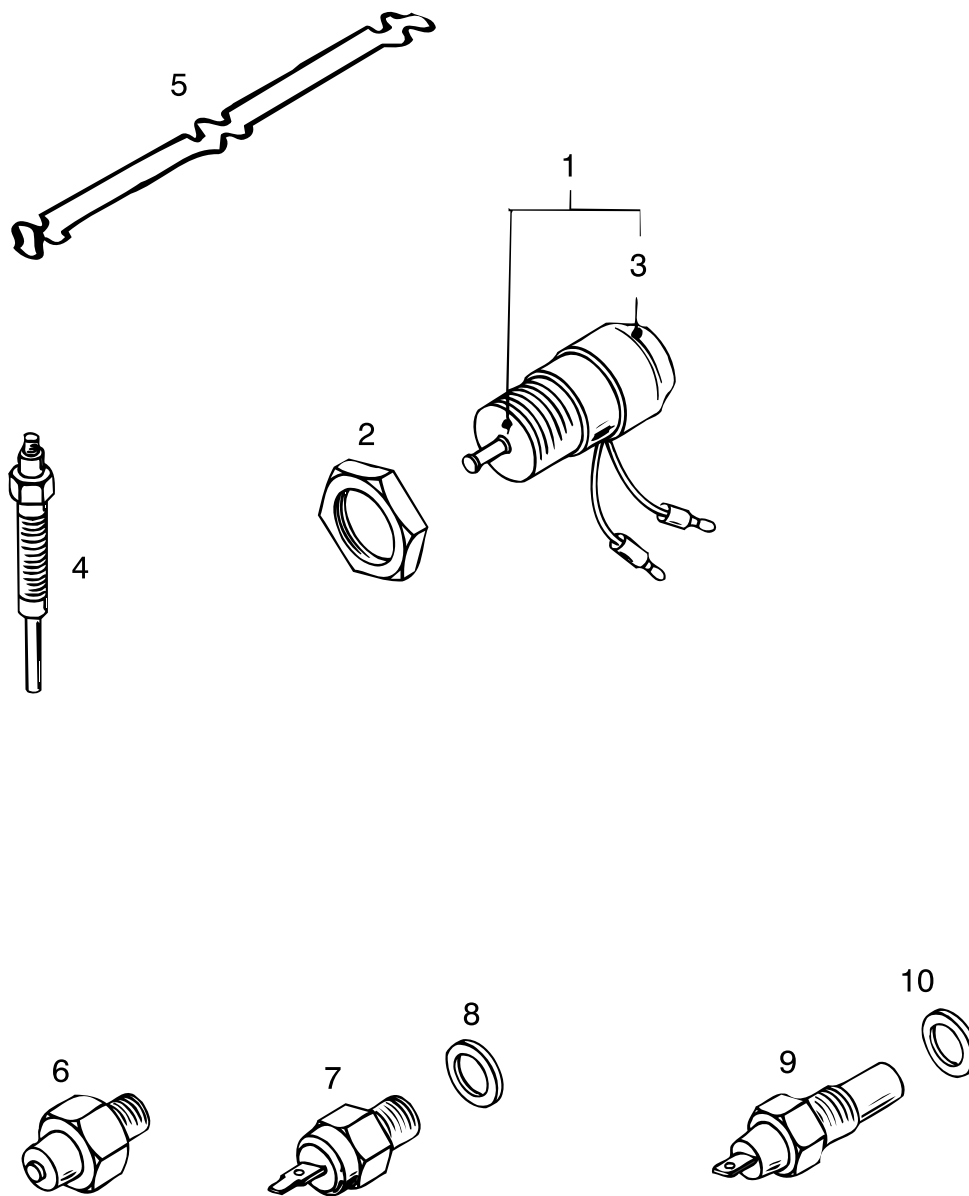
onderdelencatalogus parts catalogue



groep/ group	blz./ page	type	omschrijving/description	datum/date
4	9	M3.09	Zenders+schakelaars Sender units+switches	11 06 01

pos.	qty	part	benaming	description
1	1	STM6264	Stopmagneet	Solenoid
2	1	STM2742	Moer	Nut
3	1	STM3650	Rubber kap	Rubber cap
4	3	STM6265	Gloeiplug	Glow plug
5	1	STM3932	Strip	Plate
6	1	STM6267	Oliedrukschakelaar M10x1k	Oil pressure switch M10x1k
7	1	STM6268	Temp. schak. 111°C binnenwater M16x1,5 1p	Thermo switch 111°C coolant M16x1,5 1p
8	1	STM6269	Afdichtring	Sealing
9	1	STM2006	Temp. schak. 75°C buitenwater M18x1,5 1p	Thermo switch 75°C rawwater M18x1,5 1p
10	1	STM2019	Afdichtring	Sealing

groep/ group	blz./ page	type	omschrijving/description	datum/date
4	9	M3.09	Zenders+schakelaars Sender units+switches	11 06 01



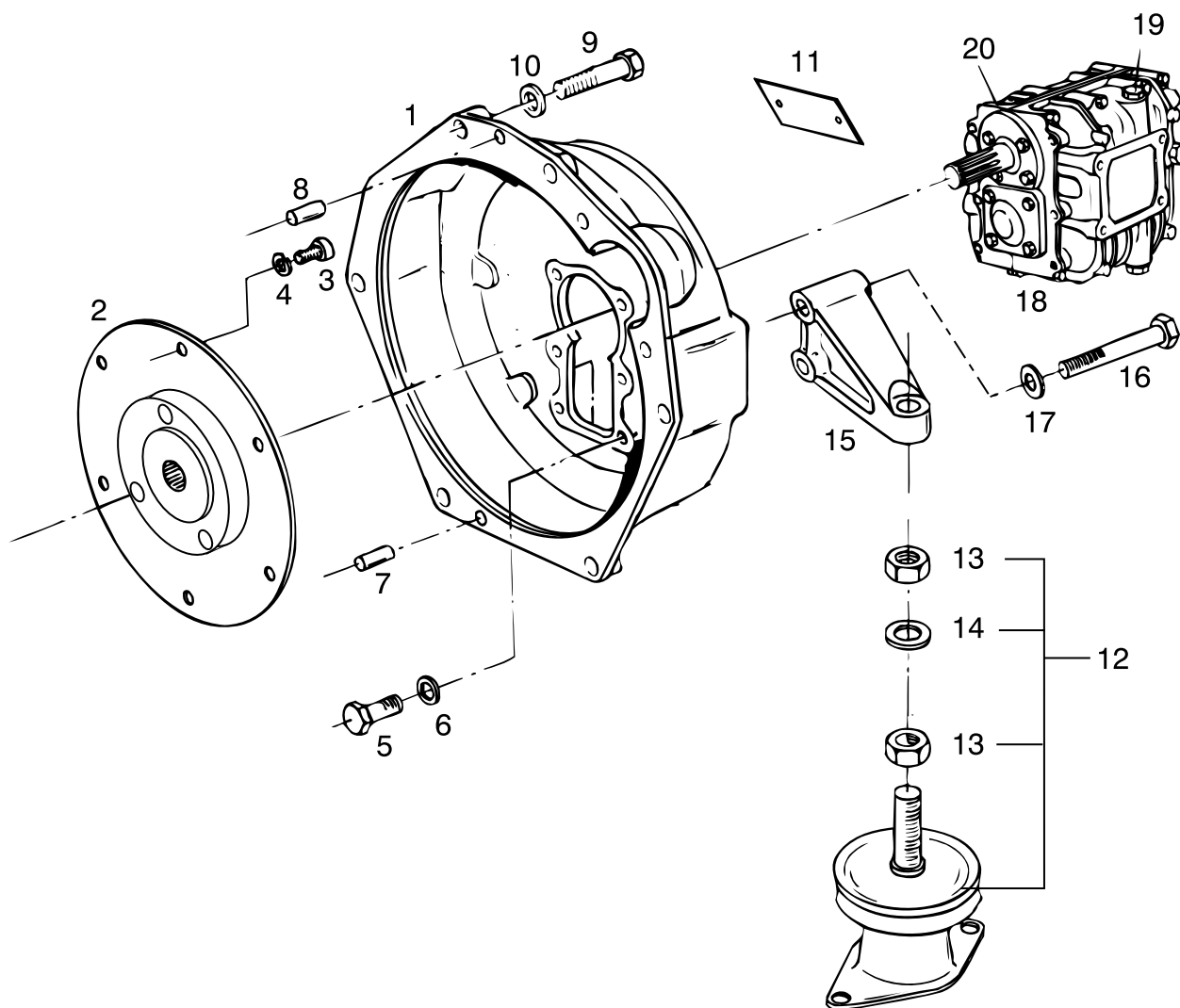
onderdelencatalogus parts catalogue



groep/ group	blz./ page	type	omschrijving/description	datum/date
5	1	M3.09	Vliegwielhuis Flywheel housing	11 06 01

pos.	qty	part	benaming	description
1	1	STM6293	Vliegwielhuis	Flywheel housing
2	1	STM6106	Demperplaat DIN5464 Z=10 Volvo 110S-120S-120SB	Damperplate DIN5464 Z=10 Volvo 110S-120S-120SB
	1	STM6107	Demperplaat SAE Z=17	Damperplate SAE Z=17
3	6	STM6111	Inbusbout M8x16	Allen screw M8x16
4	6	STM1056	Veerring M8	Spring washer M8
5	6	STM1610	Bout M8x25	Allen screw M8x25
6	6	STM1019	Gegolfde veerring M8	Wave spring washer M8
7	1	STM2507	Paspen 8x10 DIN6325	Pin 8x10 DIN6325
8	1	STM6279	Paspen 8x18 DIN6325	Pin 8x18 DIN6325
9	6	STM6104	Bout M12x1,25x70	Bolt M12x1.25x70
10	6	STM4056	Gegolfde veerring M12	Wave spring washer M12
11	1	STM1054	Type plaatje	Model plate
12	4	MITSTEUN	Hydrodemper	Hydro Mount
13	8	STM4010	Moer M16x1,5	Nut M16x1.5
14	4	STM4011	Ring M16	Washer M16
15	2	STM7584	Motorsteun SB-BB	Enging support SB-PS
16	4	STM7595	Bout M12x1,75x65	Bolt M12x1.75x65
17	4	STM4056	Gegolfde veerring M12	Wave spring washer M12
18	1	STM5352	HBW 35 2R	HBW 35 2R
	1	STM5353	HBW 35 3R	HBW 35 3R
	1	STM5103	HBW 100 3R	HBW 100 3R
	1	STM5162	HBW 150 V2	HBW 150 V2
	1	STM5163	HBW 150 V3	HBW 150 V3
	1	STM5402	TMC40 2:1	TMC40 2:1
	1	STM5403	TMC40 2,6:1	TMC40 2.6:1
19	1	STM5176	Peilstok HBW 35-100	Dipstick HBW 35-100
	1	STM5177	Peilstok HBW 150-125	Dipstick HBW 150-125
20	1	STM5171	Pakkingset HBW100	Gasketset HBW100

groep/ group	blz./ page	type	omschrijving/description	datum/date
5	1	M3.09	Vliegwielhuis Flywheel housing	11 06 01



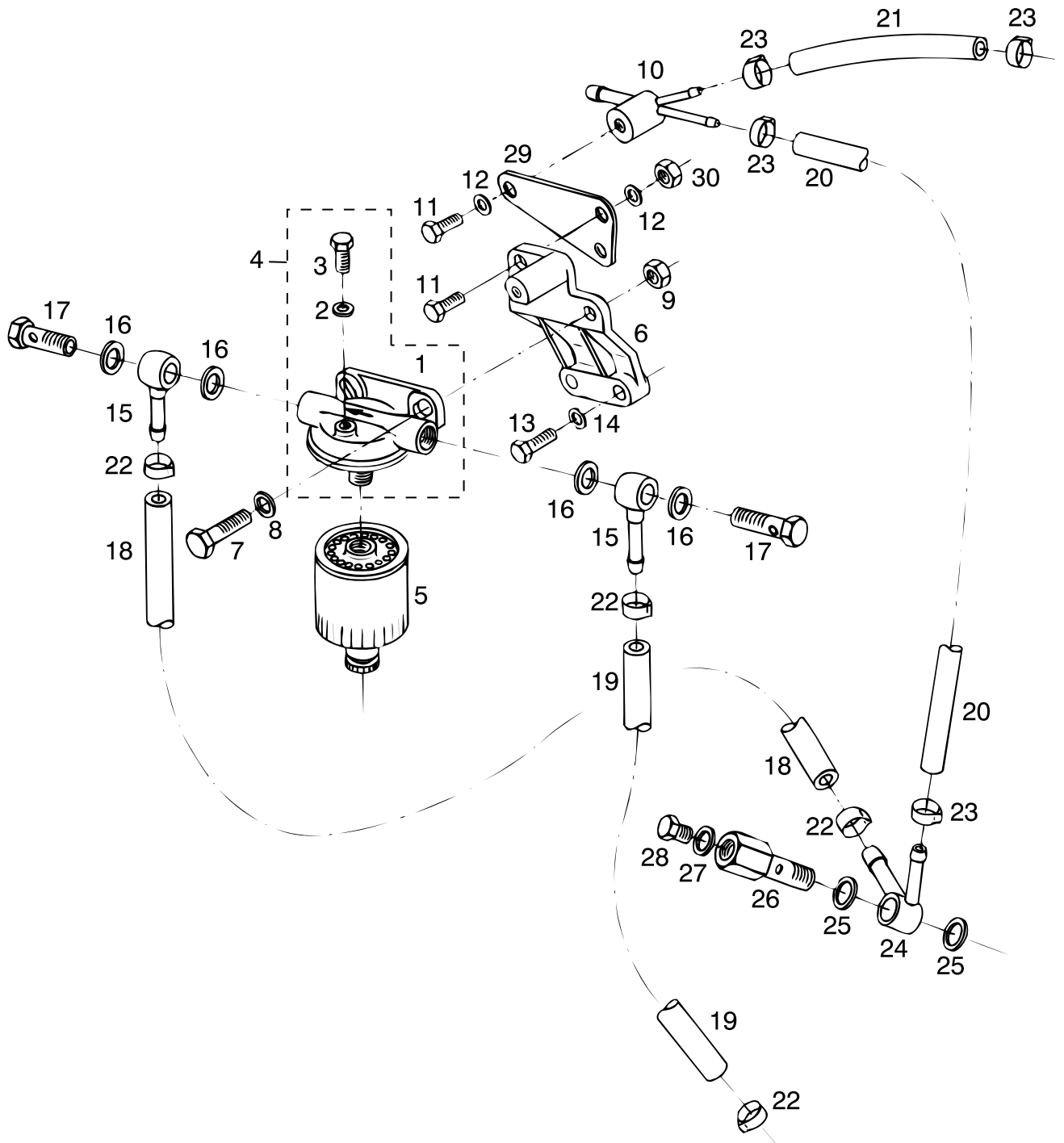
onderdelencatalogus parts catalogue



groep/ group	blz./ page	type	omschrijving/description	datum/date
6	1	M3.09	Brandstoffilter Fuel filter	11 06 01

pos.	qty	part	benaming	description
1	1	STM6050	Filterkop	Filter head
2	1	STM3797	Ring	Washer
3	1	STM3696	Bout M8x10	Bolt M8x10
4	1	STM6049	Filterkop compl. 1+2+3	Filter head complete 1+2+3
5	1	STM3690	Brandstoffilter	Fuelfilter
6	1	STM6115	Steun	Support
7	2	STM4013	Bout M10x30	Bolt M10x30
8	2	STM4061	Ring	Washer
9	2	STM4018	Moer M10	Bolt M10
10	1	STM6180	Nippel	Nipple
11	2	STM1030	Bout M6x20	Bolt M6x20
12	2	STM1025	Ring	Washer
13	2	STM7059	Bout M8x30	Bolt M8x30
14	2	STM1019	Ring	Washer
15	2	STM9262	Banjo oog	Banjo eye
16	4	STM7056	Ring	Washer
17	2	STM8057	Banjo bout M12x1	Banjo bolt M12x1
18	1	STM6189	Brandstofslang Ø8 L=0,28 mtr	Fuel hose Ø8 L=0.28 mtr
19	1	STM6287	Brandstofslang Ø8 L=0,107mtr	Fuel hose Ø8 L=0.107mtr
20	1	STM6285	Brandstofslang Ø5 L=0,27 mtr	Fuel hose Ø5 L=0.27 mtr
21	1	STM6192	Brandstofslang Ø5 L=0,07 mtr	Fuel hose Ø5 L=0.07 mtr
22	4	STM6185	Klem	Clamp
23	4	STM6186	Klem	Clamp
24	1	STM6256	Banjo oog	Banjo eye
25	2	STM6255	Ring	Washer
26	1	STM6257	Banjo bout	Banjo bolt
27	1	STM6258	Ring	Washer
28	1	STM6259	Bout	Bolt
29	1	STM6291	Steun	Support
30	1	STM3260	Moer M6	Nut M6

groep/ group	blz./ page	type	omschrijving/description	datum/date
6	1	M3.09	Brandstoffilter Fuel filter	11 06 01



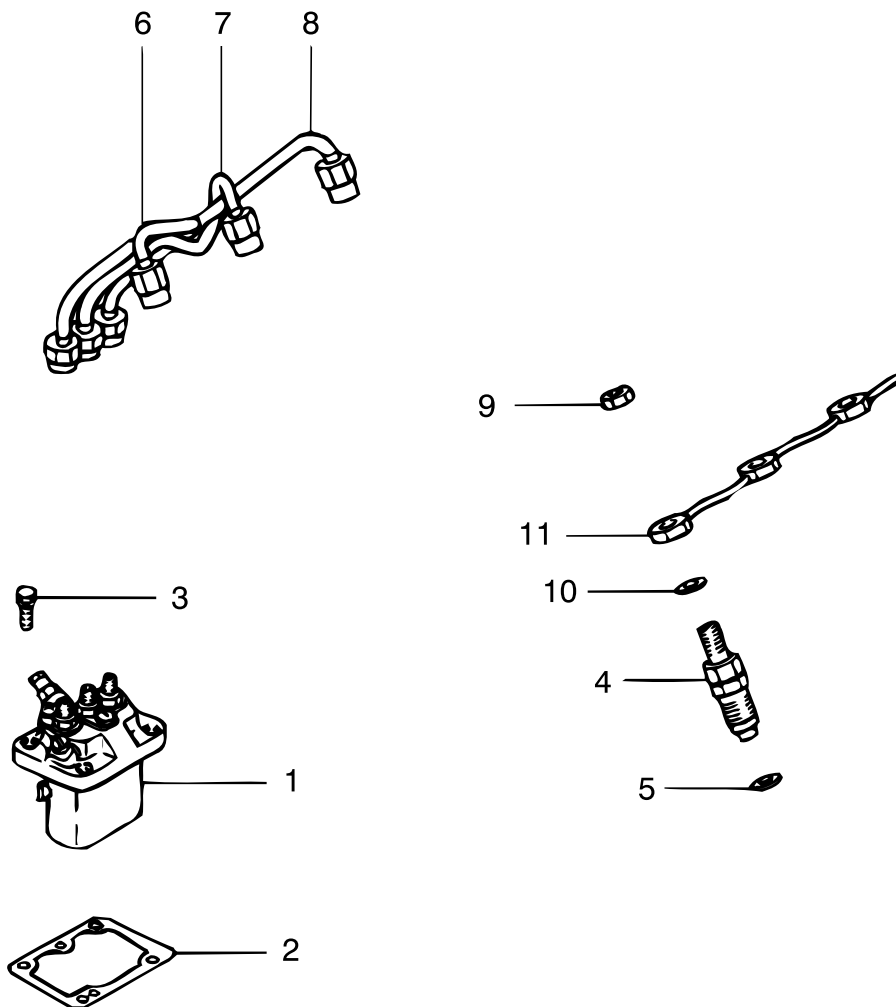
onderdelencatalogus parts catalogue



groep/ group	blz./ page	type	omschrijving/description	datum/date
6	2	M3.09	Brandstofsysteem Fuel system	11 06 01

pos.	qty	part	benaming	description
1	1	STM6284	Brandstofpomp	Fuel pump
2	1	STM3946	Shim 0,2	Shim 0.2
	1	STM3947	Shim 0,3	Shim 0.3
	1	STM3948	Shim 0,4	Shim 0.4
	1	STM3949	Shim 0,5	Shim 0.5
	1	STM3950	Shim 0,6	Shim 0.6
	1	STM3951	Shim 0,7	Shim 0.7
	1	STM3952	Shim 0,8	Shim 0.8
	1	STM3953	Shim 0,9	Shim 0.9
	1	STM3954	Shim 1,0	Shim 1.0
3	4	STM1297	Bout	Bolt
4	2	STM1298	Verstuiver & houder	Nozzle & holder
5	2	STM1299	Pakking	Gasket
6	1	STM3955	Brandstofleiding no.1	Fuel pipe no.1
7	1	STM3956	Brandstofleiding no.2	Fuel pipe no.2
8	1	STM3957	Brandstofleiding no.3	Fuel pipe no.3
9	1	STM1302	Moer	Nut
10	3	STM1303	Pakking	Gasket
11	1	STM3958	Retourleiding	Return pipe

groep/ group	blz./ page	type	omschrijving/description	datum/date
6	2	M3.09	Brandstofsysteem Fuel system	11 06 01



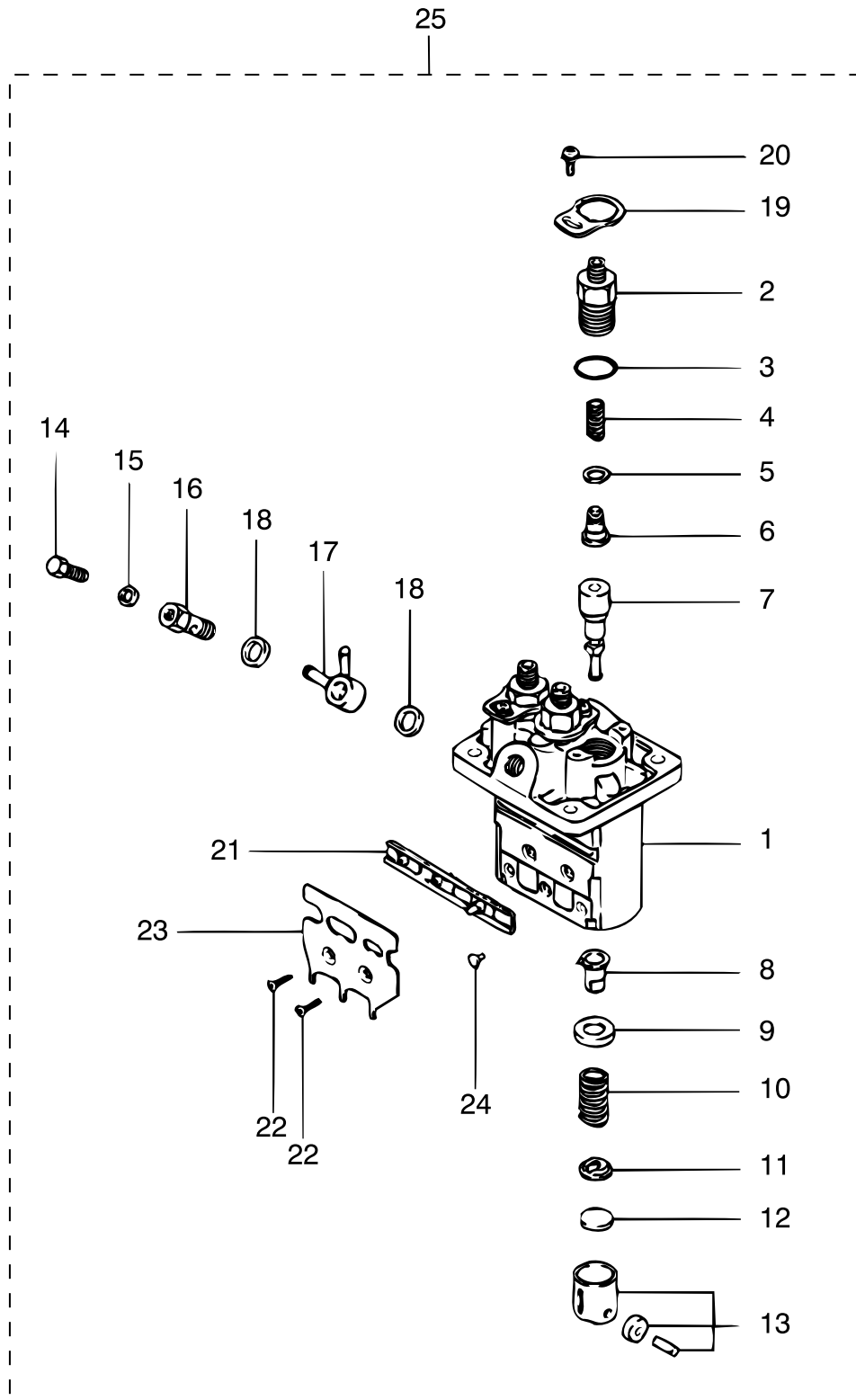
onderdelencatalogus parts catalogue



groep/ group 6	blz./ page 3	type M3.09	omschrijving/description Brandstofpomp Fuelpump	datum/date 12 06 01
----------------------	--------------------	---------------	---	------------------------

pos.	qty	part	benaming	description
1	1	STM3959	Huis	House sub assy
2	3	STM1306	Houder	Holder
3	3	STM1307	O-ring	O-ring
4	3	STM1308	Veer	Spring
5	3	STM1309	Afdichting	Gasket
6	3	STM1310	Klep onder	Valve sub assy
7	3	STM1428	Element onder	Element sub assy
8	3	STM1312	Bus	Sleeve
9	3	STM1313	Zitting	Seat
10	3	STM1314	Veer	Spring
11	3	STM1315	Veer	Spring
12	1	STM1316	Shim 1,85	Shim 1,85
	1	STM1317	Shim 1,9	Shim 1,9
	1	STM1318	Shim 1,95	Shim 1,95
	1	STM1319	Shim 2,0	Shim 2,0
	1	STM1320	Shim 2,05	Shim 2,05
	1	STM1321	Shim 2,1	Shim 2,1
	1	STM1322	Shim 2,15	Shim 2,15
	1	STM1323	Shim 2,2	Shim 2,2
	1	STM1324	Shim 2,25	Shim 2,25
	1	STM1325	Shim 2,3	Shim 2,3
	1	STM1326	Shim 2,35	Shim 2,35
	1	STM1327	Shim 2,4	Shim 2,4
	1	STM1328	Shim 2,45	Shim 2,45
	1	STM1329	Shim 2,5	Shim 2,5
13	3	STM1330	Klepstoter	Tappet assy
14	1	STM6259	Bout	Bolt
15	1	STM6258	Ring	Washer
16	1	STM6257	Banjo bout	Hollow screw
17	1	STM3960	Banjo oog	Banjo eye
18	2	STM6255	Ring	Washer
19	3	STM1331	Borgplaat	Lock plate
20	3	STM1332	Schroef	Screw
21	1	STM3961	Heugel	Rack assy
22	2	STM1334	Schroef	Screw
23	1	STM3962	Beugel	Bracket
24	3	STM1336	Pen	Pin
25	1	STM6284	Brandstofpomp	Fuel pump

groep/ group	blz./ page	type	omschrijving/description	datum/date
6	3	M3.09	Brandstofpomp Fuelpump	12 06 01



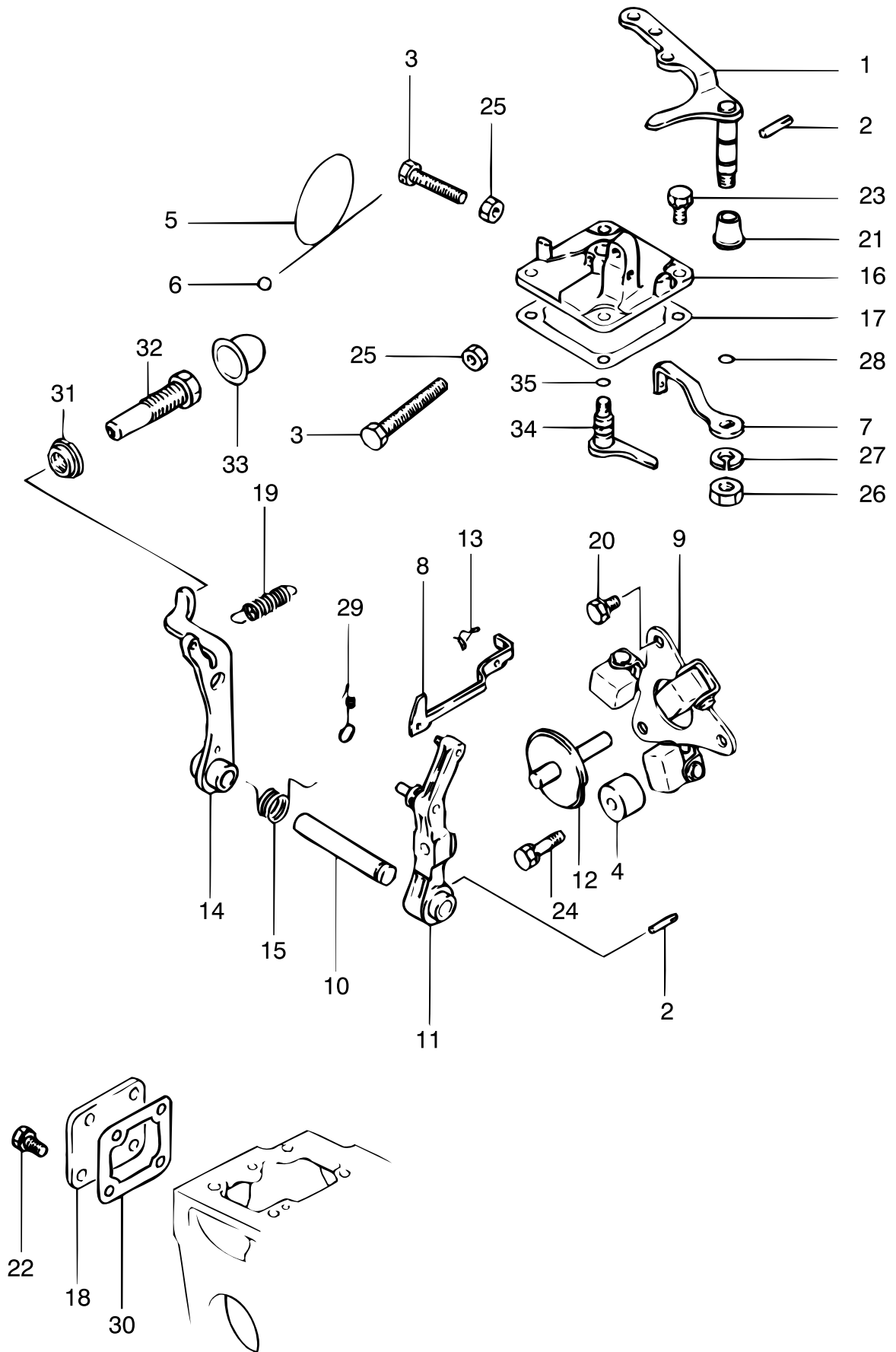
onderdelencatalogus parts catalogue



groep/ group 6	blz./ page 4	type M3.09	omschrijving/description Regulateur Regulator	datum/date 11 06 01
----------------------	--------------------	---------------	---	------------------------

pos.	qty	part	benaming	description
1	1	STM1337	Hefboom	Lever assy
2	2	STM1338	Pen	Pin
3	2	STM2720	Bout	Bolt
4	1	STM1339	Stop	Stopper
5	1	STM2719	Draad	Wire
6	1	STM1340	Zegellood	Metal sealing
7	1	STM1341	Hefboom	Lever
8	1	STM1342	Stang	Rod,tie
9	1	STM3964	Verzwareing	Weight assy
10	1	STM1344	As	Shaft
11	1	STM1345	Hefboom	Lever
12	1	STM1346	As	Shaft assy
13	1	STM3966	Clip	Clip
14	1	STM1348	Hefboom	Lever
15	1	STM1349	Veer	Spring
16	1	STM1352	Deksel	Cover
17	1	STM3928	Pakking	Gasket
18	1	STM1363	Deksel	Cover
19	1	STM1441	Roze veer	Spring pink
20	2	STM2737	Bout	Bolt
21	1	STM3973	Kap	Cap
22	4	STM1366	Bout	Bolt
23	4	STM1367	Bout	Bolt
24	1	STM1368	Bout	Bolt
25	2	STM1369	Moer	Nut
26	1	STM1370	Moer	Nut
27	1	STM1371	Ring	Washer
28	1	STM1372	O-ring	O-ring
29	1	STM1373	Borgring	Ring snap
30	1	STM3925	Pakking	Gasket
31	1	STM1439	Borgmoer	Lock nut
32	1	STM1440	Stelbout	Set bolt
33	1	STM1362	Deksel	Cover
34	1	STM3971	Stang	Rod, tie
35	1	STM3972	Pakking	Gasket

groep/ group	blz./ page	type	omschrijving/description	datum/date
6	4	M3.09	Regulateur Regulator	11 06 01



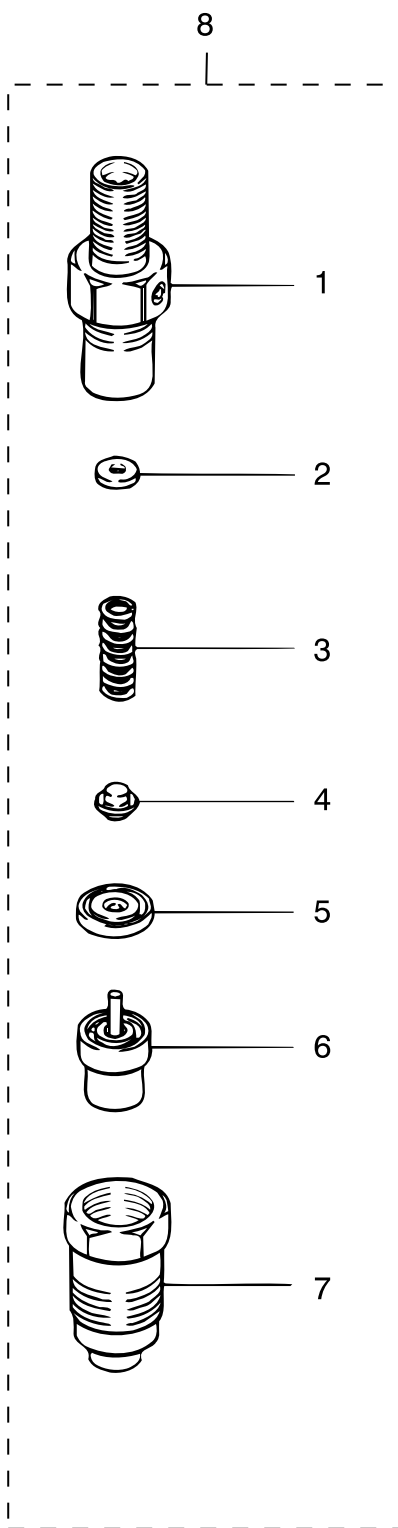
onderdelencatalogus parts catalogue



groep/ group	blz./ page	type	omschrijving/description	datum/date
6	5	M3.09	Verstuiverhouder Nozzle holder	11 06 01

pos.	qty	part	benaming	description
1	2	STM1377	Verstuiverhouder	Body sub assy
2	1	STM1378	Shim 1,25	Shim 1.25
	1	STM1379	Shim 1,3	Shim 1.3
	1	STM1380	Shim 1,35	Shim 1.35
	1	STM1381	Shim 1,4	Shim 1.4
	1	STM1382	Shim 1,45	Shim 1.45
	1	STM1383	Shim 1,5	Shim 1.5
	1	STM1384	Shim 1,55	Shim 1.55
	1	STM1385	Shim 1,6	Shim 1.6
	1	STM1386	Shim 1,65	Shim 1.65
3	3	STM1388	Veer	Spring
4	3	STM1389	Pen	Pin
5	3	STM1390	Afstandstuk	Distance piece
6	3	STM1391	Verstuiver	Nozzle assy
7	3	STM1392	Moer	Nut
8	3	STM1298	Verstuiver cpl	Nozzle cpl

groep/ group	blz./ page	type	omschrijving/description	datum/date
6	5	M3.09	Verstuiverhouder Nozzle holder	11 06 01



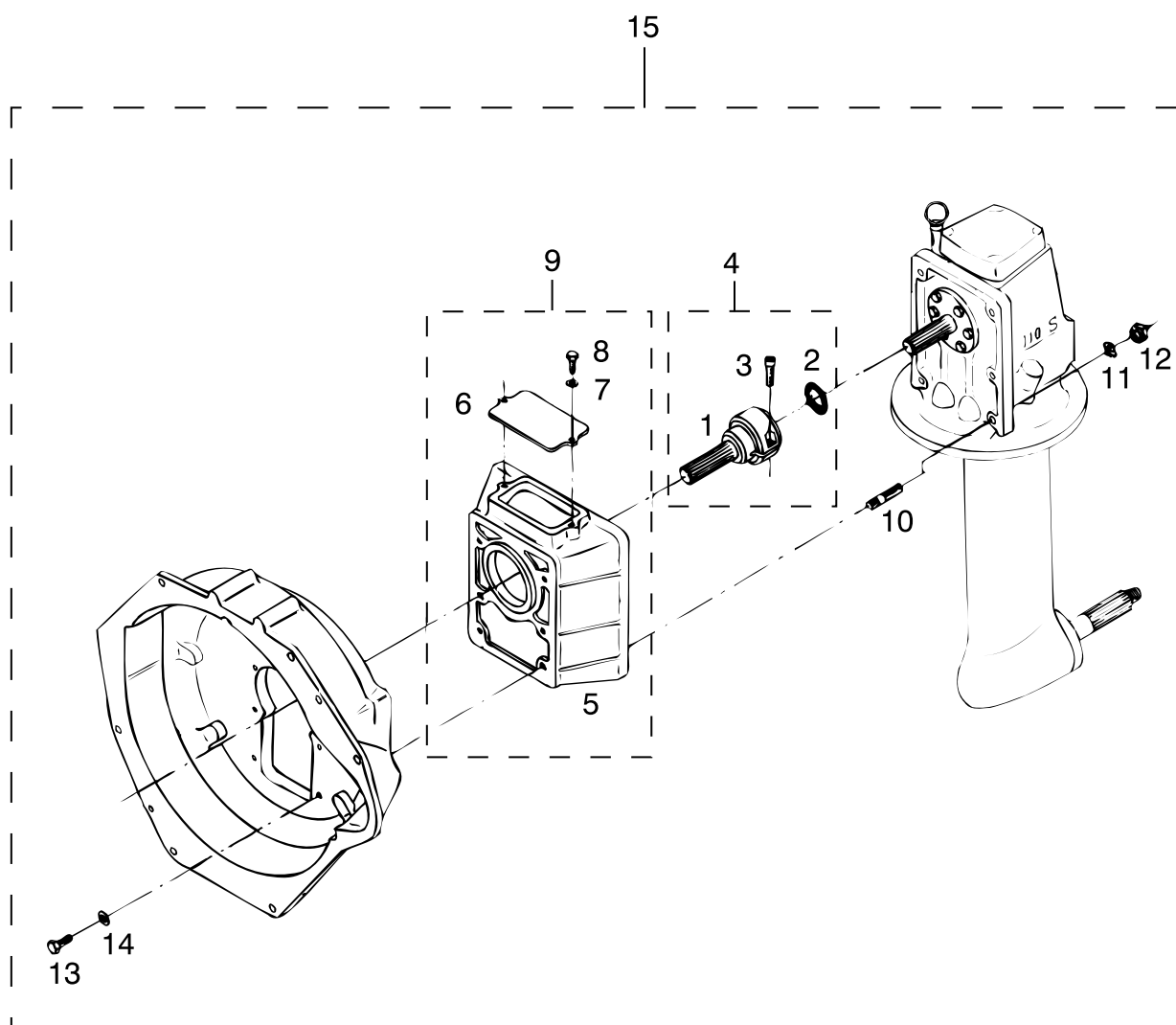
onderdelencatalogus parts catalogue



groep/ group	blz./ page	type	omschrijving/description	datum/date
10	1	110S	Verloopset saildrive Adaptor kit saildrivei	11 06 01

pos.	qty	part	benaming	description
1	1	STM7605	Koppeling	Coupling
2	1	STM7607	O-ring	O-ring
3	2	STM8332	Inbusbout M8x30	Allen screw M8x30
4	1	STM7611	Koppeling compleet (1+2+3)	Coupling cpl.(1+2+3)
5	1	STM7601	Adapterhuis	Adaptor case
6	1	STM7603	Deksel	Cover
7	2	STM1025	Gegolfde veerring M6	Wave spring washer M6
8	2	STM1024	Bout M6x15	Bolt M6x15
9	1	STM7612	Adapterhuis cpl. (5+6+7+8)	Adaptor case cpl. (5+6+7+8)
10	6	STM7615	Tapeind M10x45	Stud M10x45
11	6	STM2022	Gegolfde veerring M10	Vave spring washer M10
12	6	STM4018	Moer M10	Nut M10
13	6	STM1651	Bout M8x35	Bolt M8x35
14	6	STM1019	Gegolfde veerring M8	Wave spring washer M8
15	1	STM7614	Aanbouwset cpl.	Adaptor kit cpl.

groep/ group	blz./ page	type	omschrijving/description	datum/date
10	1	110S	Verloopset saildrive Adaptor kit saildrivei	11 06 01



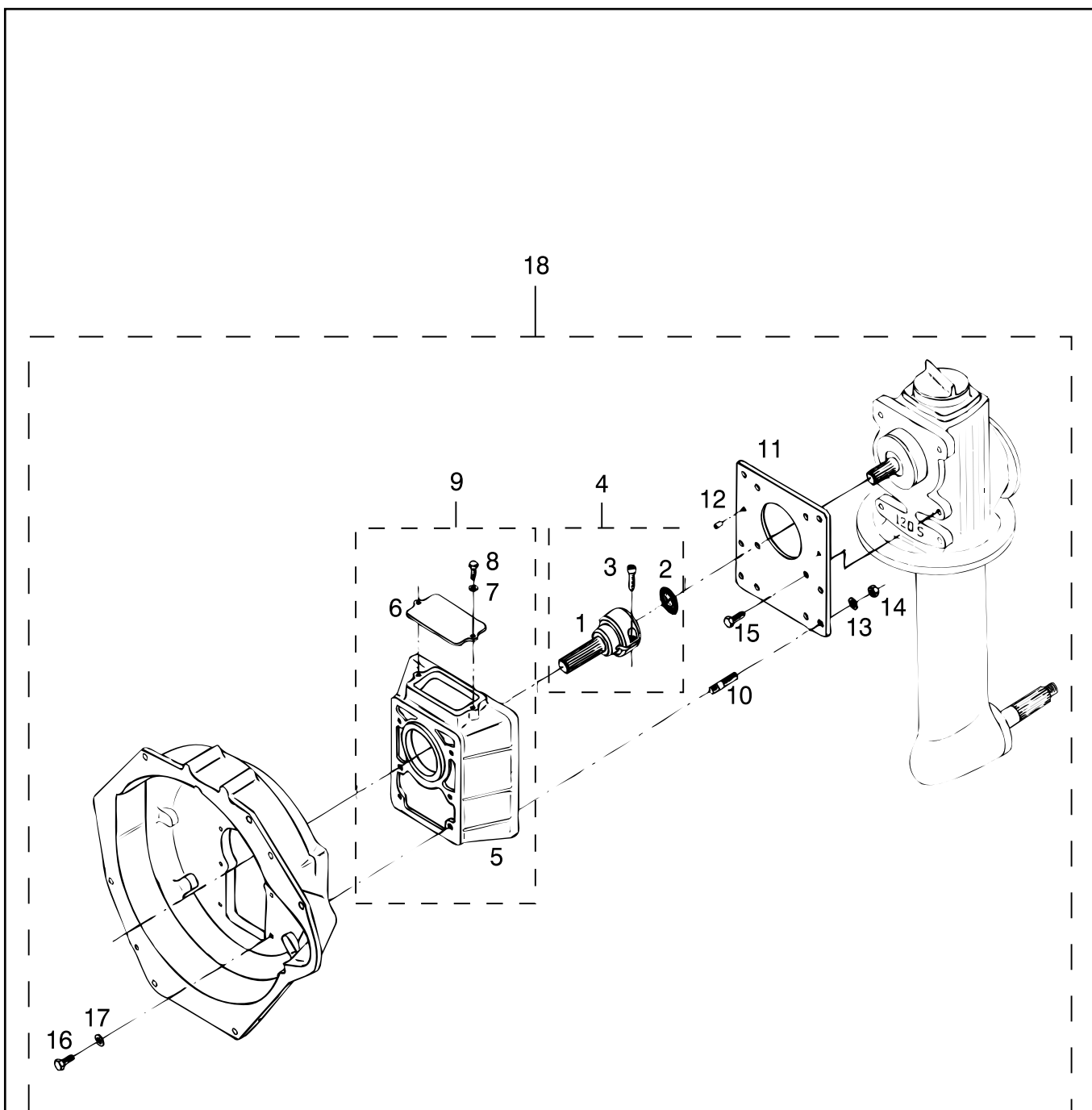
onderdelencatalogus parts catalogue



groep/ group	blz./ page	type	omschrijving/description	datum/date
10	2	120S	Verloopset saildrive Adaptor kit saildrive	11 06 01

pos.	qty	part	benaming	description
1	1	STM7606	Koppeling	Coupling
2	1	STM7608	O-ring	O-ring
3	2	STM8332	Inbusbout M8x30	Allen screw M8x30
4	1	STM7616	Koppeling compleet (1+2+3)	Coupling cpl. (1+2+3)
5	1	STM7601	Adapterhuis	Adaptor case
6	1	STM7603	Deksel	Cover
7	2	STM1025	Gegolfde veerring M6	Wave spring washer M6
8	2	STM1024	Bout M6x15	Bolt M6x15
9	1	STM7612	Adapterhuis cpl. (5+6+7+8)	Adaptor case cpl. (5+6+7+8)
10	6	STM7620	Tapeind M10x20	Stud M10x20
11	1	STM7604	Adapterflens	Adaptor flange
12	2	STM2507	Paspen ø8x12	Pin ø8x12
13	6	STM2022	Gegolfde veerring M10	Wave spring washer M10
14	6	STM4018	Moer M10	Nut M10
15	6	STM8391	Bout M10x25 (sw16)	Bolt M10x25
16	6	STM2022	Gegolfde veerring M10	Wave spring washer M10
17	6	STM4018	Moer M10	Nut M10
18	6	STM1651	Bout M8x35	Bolt M8x35
19	6	STM1019	Gegolfde veerring M8	Wave spring washer M8
20	1	STM7621	Aanbouwset cpl.	Adator kit cpl.

groep/ group	blz./ page	type	omschrijving/description	datum/date
10	2	120S	Verloopset saildrive Adaptor kit saildrivei	11 06 01



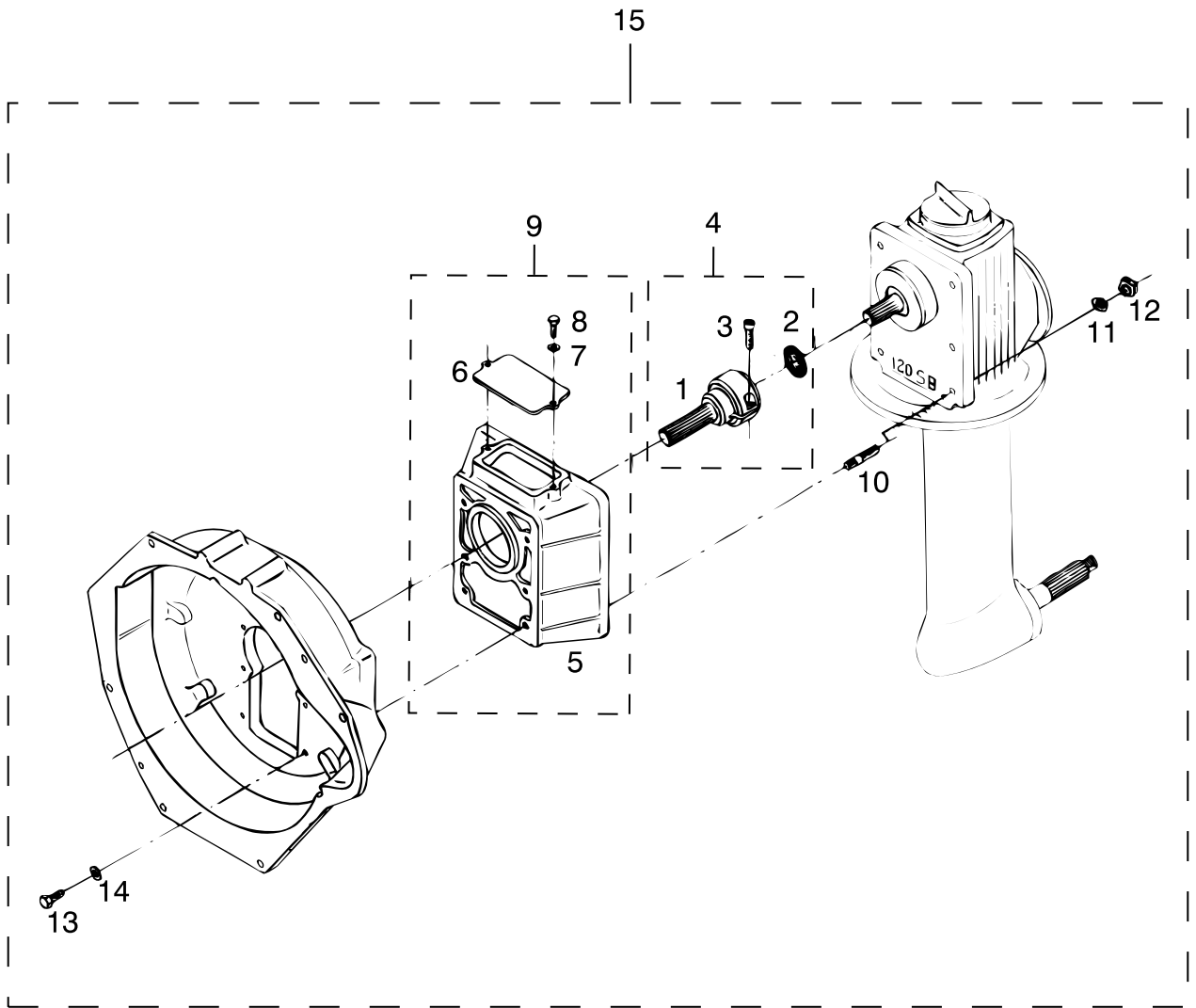
onderdelencatalogus parts catalogue



groep/ group	blz./ page	type	omschrijving/description	datum/date
10	3	120SB	Verloopset saildrive Adaptor kit saildrivei	11 06 01

pos.	qty	part	benaming	description
1	1	STM7606	Koppeling	Coupling
2	1	STM7608	O-ring	O-ring
3	2	STM8332	Inbusbout M8x30	Allen screw M8x30
4	1	STM7616	Koppeling compleet (1+2+3)	Coupling cpl. (1+2+3)
5	1	STM7602	Adapterhuis	Adaptor case
6	1	STM7603	Deksel	Cover
7	2	STM1025	Gegolfde veerring M6	Wave spring washer M6
8	2	STM1024	Bout M6x15	Bolt M6x15
9	1	STM7617	Adapterhuis cpl. (5+6+7+8)	Adaptor case cpl. (5+6+7+8)
10	6	STM7618	Tapeind M10x35	Stud M10x35
11	6	STM2022	Gegolfde veerring M10	Wave spring washer M10
12	6	STM4018	Moer M10	Nut M10
13	6	STM1651	Bout M8x35	Bolt M8x35
14	6	STM1019	Gegolfde veerring M8	Wave spring washer M8
15	1	STM7619	Aanbouwset cpl.	Adaptor kit cpl.

groep/ group	blz./ page	type	omschrijving/description	datum/date
10	3	120SB	Verloopset saildrive Adaptor kit saildrivei	11 06 01



Aantekeningen

Notes

A series of horizontal dotted lines for writing notes.

Aantekeningen

Notes

Horizontal dotted lines for writing notes.

register index



art. nr. part no.	groep group	blz. page	pos. pos.	art. nr. part no.	groep group	blz. page	pos. pos.	art. nr. part no.	groep group	blz. page	pos. pos.	art. nr. part no.	groep group	blz. page	pos. pos.
CT40075	4	1	7	STM1115	2	2	15	STM1201	2	6	12	STM1299	6	2	5
CT40131	4	3	19	STM1117	2	2	17	STM1202	2	6	13		2	7	14
CT40133	4	3	21	STM1118	2	2	18	STM1204	2	6	14	STM1302	6	2	9
MITSTEUN	2	1	4	STM1119	2	2	19	STM1206	2	6	15	STM1303	2	7	18
	5	1	12	STM1120	2	2	20	STM1208	2	6	20		6	2	10
MP00	4	5	1	STM1121	2	2	21	STM1209	2	6	21	STM1306	6	3	2
PA6488	4	3	10	STM1122	2	2	23	STM1211	2	6	23	STM1307	6	3	3
P2295RKP	4	3	3	STM1123	2	2	24	STM1212	2	6	24	STM1308	6	3	4
	4	4	3	STM1125	2	2	27	STM1213	2	6	28	STM1309	6	3	5
P35164RKP	4	3	11	STM1126	2	2	29	STM1215	2	6	29	STM1310	6	3	6
P35254ZKP	4	3	15	STM1127	2	2	30	STM1216	2	6	30	STM1312	6	3	8
	4	4	9	STM1128	2	2	32	STM1217	2	6	31	STM1313	6	3	9
STM0051	1	1	4	STM1129	2	2	33	STM1218	2	6	33	STM1314	6	3	10
	2	3	31	STM1130	2	2	34	STM1219	2	6	34	STM1315	6	3	11
STM1006	3	1	14	STM1133	2	3	2	STM1220	2	6	35	STM1316	6	3	12
STM1007	3	1	15		2	7	2	STM1222	2	8	1	STM1317	6	3	12
	3	2	29	STM1134	2	3	3	STM1223	2	8	2	STM1318	6	3	12
STM1017	3	1	4	STM1139	2	3	7	STM1225	2	8	4	STM1319	6	3	12
STM1019	3	1	20	STM1140	2	3	8	STM1227	3	4	1	STM1320	6	3	12
	3	2	17	STM1141	2	3	9	STM1228	3	4	2	STM1321	6	3	12
	4	1	11		2	7	22	STM1229	3	4	3	STM1322	6	3	12
	4	2	9	STM1142	2	3	10	STM1231	3	4	5	STM1323	6	3	12
	5	1	6	STM1143	2	3	11	STM1232	3	4	7	STM1324	6	3	12
	6	1	14	STM1144	2	3	12	STM1233	3	4	8	STM1325	6	3	12
	10	1	14	STM1145	2	3	13	STM1234	3	4	12	STM1326	6	3	12
	10	2	19	STM1146	2	3	15	STM1236	3	4	14	STM1327	6	3	12
STM1024	10	3	14	STM1148	2	3	17	STM1237	3	4	15	STM1328	6	3	12
	10	1	8	STM1150	2	3	19	STM1238	3	4	16	STM1329	6	3	12
	10	2	8	STM1151	2	3	22	STM1241	4	6	1	STM1330	6	3	13
	10	3	8	STM1152	2	3	23		4	7	23	STM1331	6	3	19
STM1025	3	1	35	STM1153	2	3	25	STM1242	4	6	4	STM1332	6	3	20
	3	2	37	STM1154	2	3	26	STM1245	4	6	9	STM1334	6	3	22
	6	1	12	STM1155	2	3	27	STM1246	4	6	11	STM1336	6	3	24
	10	1	7		2	7	16	STM1247	4	6	13	STM1337	6	4	1
	10	2	7	STM1156	2	3	28	STM1250	4	6	17	STM1338	6	4	2
	10	3	7	STM1157	2	3	32		4	7	6	STM1339	6	4	4
STM1027	3	1	5	STM1158	2	3	33	STM1251	4	7	1	STM1340	6	4	6
STM1030	6	1	11	STM1159	2	4	2	STM1252	4	7	2	STM1341	6	4	7
STM1054	5	1	11	STM1160	2	4	4	STM1253	4	7	3	STM1342	6	4	8
STM1056	3	1	8	STM1163	2	4	7	STM1254	4	7	4	STM1344	6	4	10
	3	2	8	STM1164	2	4	8	STM1255	4	7	5	STM1345	6	4	11
	3	3	4	STM1166	2	4	10	STM1256	4	7	7	STM1346	6	4	12
	4	6	12	STM1167	2	4	11	STM1257	4	7	8	STM1348	6	4	14
	5	1	4	STM1168	2	4	12	STM1258	4	7	9	STM1349	6	4	15
STM1059	3	1	16	STM1172	2	4	15	STM1259	4	7	10	STM1352	6	4	16
	3	2	9	STM1173	2	4	16	STM1260	4	7	11	STM1362	6	4	33
STM1062	3	1	17	STM1179	2	5	7	STM1261	4	7	12	STM1363	6	4	18
	3	2	10	STM1182	2	5	10	STM1262	4	7	13	STM1366	6	4	22
STM1097	2	5	4	STM1183	2	5	11	STM1263	4	7	14	STM1367	6	4	23
STM1100	2	2	1	STM1184	2	5	12	STM1264	4	7	15	STM1368	6	4	24
STM1101	2	2	2	STM1185	2	5	13	STM1265	4	7	16	STM1369	6	4	25
	2	7	4	STM1187	2	5	16	STM1266	4	7	17	STM1370	6	4	26
STM1102	2	2	3	STM1198	2	6	1	STM1267	4	7	18	STM1371	6	4	27
STM1103	2	2	4	STM1189	2	6	2	STM1268	4	7	19	STM1372	6	4	28
STM1104	2	2	5	STM1190	2	6	3	STM1269	4	7	20	STM1373	6	4	29
STM1106	2	2	7	STM1191	2	6	4	STM1270	4	7	21	STM1377	6	5	1
STM1108	2	2	8	STM1193	2	6	6	STM1271	4	7	22	STM1378	6	5	2
STM1109	2	2	9	STM1195	2	6	8	STM1297	6	2	3	STM1379	6	5	2
STM1111	2	2	11	STM1197	2	6	9	STM1298	6	2	4	STM1380	6	5	2
STM1112	2	2	12	STM1199	2	6	10		6	5	8	STM1381	6	5	2

register index



art. nr. part no.	groep group	blz. page	pos. pos.	art. nr. part no.	groep group	blz. page	pos. pos.	art. nr. part no.	groep group	blz. page	pos. pos.	art. nr. part no.	groep group	blz. page	pos. pos.
STM1382	6	5	2		10	2	12	STM3908	2	3	4	STM3954	6	2	2
STM1383	6	5	2	STM2510	2	2	22		2	7	8	STM3955	6	2	6
STM1384	6	5	2	STM2513	2	2	25	STM3909	2	3	6	STM3956	6	2	7
STM1385	6	5	2	STM2526	2	7	23	STM3910	2	3	16	STM3957	6	2	8
STM1386	6	5	2	STM2557	2	5	5		2	7	10	STM3958	6	2	11
STM1388	6	5	3	STM2558	2	5	6	STM3911	2	3	18	STM3959	6	3	1
STM1389	6	5	4	STM2588	2	6	17		2	7	13	STM3960	6	3	17
STM1390	6	5	5	STM2589	2	6	18	STM3912	2	4	1	STM3961	6	3	21
STM1391	6	5	6		2	7	3	STM3913	2	4	5	STM3962	6	3	23
STM1392	6	5	7	STM2719	6	4	5	STM3914	2	4	6	STM3964	6	4	9
STM1397	2	5	1	STM2720	6	4	3	STM3915	2	4	9	STM3966	6	4	13
STM1398	2	5	1	STM2737	6	4	20		2	7	1	STM3967	2	7	19
STM1399	2	5	1	STM2742	4	9	2	STM3916	2	4	13	STM3970	2	2	6
STM1421	2	5	3	STM3012	2	8	11	STM3917	2	4	14	STM3971	6	4	34
STM1422	2	5	3	STM3066	4	1	13	STM3918	2	5	8	STM3972	6	4	35
STM1423	2	5	3	STM3260	2	2	31	STM3919	2	5	9	STM3973	6	4	21
STM1428	6	3	7		6	1	30	STM3920	2	5	14	STM4010	2	1	5
STM1430	2	5	2	STM3355	2	2	36	STM3620	2	6	16		5	1	13
STM1431	2	5	2		2	8	12	STM3921	2	6	5	STM4011	2	1	6
STM1432	2	5	2		3	1	7	STM3922	2	6	11		5	1	14
STM1439	6	4	31		3	2	7	STM3923	2	6	19	STM4013	4	6	2
STM1440	6	4	32		4	1	10	STM3924	2	6	27		6	1	7
STM1441	6	4	19	STM3518	3	1	47	STM3925	6	4	30	STM4018	6	1	9
STM1442	2	6	22	STM3546	2	2	10		2	6	36		10	1	12
STM1610	2	3	24	STM3549	2	2	28		2	7	5		10	2	14
	4	2	8	STM3555	2	3	5	STM3926	3	4	4		10	3	12
	5	1	5	STM3562	2	3	21		2	7	6	STM4043	3	2	5
STM1620	4	6	6	STM3565	2	3	29	STM3927	2	7	11	STM4056	5	1	17
STM1651	10	1	13	STM3566	2	3	30		2	8	6	STM4061	6	1	8
	10	2	18	STM3974	2	3	34	STM3928	2	7	17	STM5103	5	1	18
	10	3	13	STM3600	2	5	15		3	4	13	STM5162	5	1	18
STM1660	4	6	3	STM3604	2	6	7		6	4	17	STM5163	5	1	18
STM1703	4	2	1	STM3612	2	6	25	STM3929	2	8	3	STM5171	5	1	20
STM1704	4	2	2	STM3613	2	6	26	STM3930	4	6	8	STM5176	5	1	19
STM1705	4	1	9	STM3614	2	6	32	STM3931	4	6	5	STM5177	5	1	19
	4	2	12	STM3650	4	9	3		4	8	15	STM5352	5	1	18
STM1707	4	2	13	STM3683	4	6	10	STM3932	4	6	15	STM5353	5	1	18
STM1806	4	2	4	STM3690	1	1	1		4	8	1	STM5402	5	1	18
STM1807	4	2	3		6	1	5	STM3933	4	8	2	STM5403	5	1	18
STM1808	4	2	5	STM3695	3	1	49	STM3934	4	8	3	STM6049	6	1	4
STM1851	4	2	6	STM3696	6	1	3	STM3935	4	8	4	STM6050	6	1	1
STM1852	4	2	10	STM3749	2	8	13	STM3936	4	8	5	STM6101	2	1	1
STM2005	3	3	5		4	6	7	STM3937	4	8	6	STM6102	2	1	2
	4	2	7	STM3750	3	2	3	STM3938	4	8	7	STM6104	5	1	9
STM2006	3	1	42	STM3767	4	2	11	STM3939	4	8	8	STM6106	5	1	2
	4	9	9	STM3796	3	1	41	STM3940	4	8	9	STM6107	5	1	2
STM2012	3	1	28		3	2	30	STM3941	4	8	10	STM6108	3	1	3
	3	3	22	STM3797	6	1	2	STM3942	4	8	11	STM6109	3	3	1
STM2018	3	1	45	STM3890	4	5	3	STM3943	4	8	12	STM6111	5	1	3
	3	2	21	STM3900	2	7	24	STM3944	4	8	13	STM6112	3	1	33
STM2019	3	1	43	STM3901	2	2	13	STM3945	4	8	14		3	2	35
	4	9	10		2	7	7	STM3932	4	9	5	STM6113	3	1	10
STM2022	2	1	3	STM3902	2	2	14	STM3946	6	2	2	STM6114	2	8	9
	10	1	11		2	7	15	STM3947	6	2	2	STM6115	6	1	6
	10	2	13	STM3903	2	2	16	STM3948	6	2	2	STM6116	3	1	30
	10	3	11		2	7	9	STM3949	6	2	2		3	2	41
STM2258	2	2	35	STM3904	2	2	26	STM3950	6	2	2	STM6117	3	1	22
STM2260	2	3	14	STM3905	2	2	26	STM3951	6	2	2	STM6118	3	1	36
STM2507	2	2	37	STM3906	2	2	26	STM3952	6	2	2		3	2	38
	5	1	7	STM3907	2	3	1	STM3953	6	2	2	STM6120	2	8	5

register index



art. nr. part no.	groep group	blz. page	pos. pos.	art. nr. part no.	groep group	blz. page	pos. pos.	art. nr. part no.	groep group	blz. page	pos. pos.	art. nr. part no.	groep group	blz. page	pos. pos.
STM6121	3	1	19	STM6246	4	1	1	STM7602	10	3	5	STM9186	4	3	1
STM6122	3	2	18	STM6247	3	3	21	STM7603	10	1	6	STM9188	4	3	16
STM6124	3	1	27	STM6248	4	1	2		10	2	6		4	4	11
STM6126	3	1	24	STM6250	3	1	31		10	3	6	STM9187	4	3	17
	3	2	14		3	2	33	STM7604	10	2	11	STM9191	4	3	22
	3	3	3		3	4	11	STM7605	10	1	1	STM9213	4	3	24
STM6127	3	3	2	STM6251	2	7	20	STM7606	10	2	1		4	4	14
STM6130	3	1	13		3	1	32		10	3	1	STM9214	4	3	23
STM6131	3	1	12		3	2	34	STM7607	10	1	2		4	4	15
STM6132	3	1	11		3	4	10	STM7608	10	2	2	STM9215	4	3	12
STM6138	3	1	29	STM6254	2	4	3		10	3	2		4	4	6
STM6138	3	2	31		3	1	6	STM7611	10	1	4	STM9262	6	1	15
STM6139	2	8	10		3	2	6	STM7612	10	1	9	STM9500	3	2	28
STM6147	3	1	38	STM6255	6	1	25		10	2	9	STM9501	3	2	25
STM6152	3	1	23		6	3	18	STM7614	10	1	15	STM9502	3	2	27
	3	2	12	STM6256	6	1	24	STM7615	10	1	10	STM9503	3	2	26
STM6155	2	3	20	STM6257	6	1	26	STM7616	10	2	4	STM9504	3	2	23
	3	1	34		6	3	16	STM7616	10	3	4	STM9505	3	2	24
	3	4	6	STM6258	6	1	27	STM7617	10	3	9	STM9507	3	2	4
	3	2	36		6	3	15	STM7618	10	3	10	STM9531	1	1	6
STM6156	3	1	37	STM6259	6	1	28	STM7619	10	3	15				
	3	2	39		6	3	14	STM7620	10	2	10				
STM6157	3	1	18	STM6264	4	9	1	STM7621	10	2	20				
	3	2	11	STM6265	4	6	14	STM8057	6	1	17				
STM6160	3	3	6		4	9	4	STM8061	1	1	2				
STM6162	3	3	8	STM6267	4	9	6		3	3	7				
STM6163	3	3	9	STM6268	3	4	18	STM8177	4	1	8				
STM6164	3	3	10		4	9	7								
STM6165	1	1	3	STM6269	2	7	21	STM8332	10	1	3				
	3	3	11		3	4	17		10	2	3				
STM6166	3	3	12		4	9	8		10	3	3				
STM6167	3	3	13	STM6277	4	6	18	STM8391	10	2	15				
STM6168	3	3	14	STM6278	4	6	19	STM9050	4	1	6				
STM6169	3	3	15	STM6279	2	2	38	STM9052	4	1	5				
STM6170	3	3	16		5	1	8	STM9056	4	1	14				
STM6171	3	3	17	STM6280	2	7	12		4	5	3				
STM6172	3	3	18		3	1	21	STM9064	4	4	10				
STM6173	3	3	19		3	2	19	STM9065	4	4	1				
STM6174	3	3	20	STM6281	3	1	9	STM9066	4	4	2				
STM6178	3	1	50	STM6284	6	2	1	STM9067	4	4	7				
	3	2	15		6	3	25	STM9068	4	4	8				
STM6179	3	2	13	STM6285	6	1	20	STM9069	4	4	12				
STM6180	6	1	10	STM6287	6	1	19	STM9119	4	1	14				
STM6185	6	1	22	STM6288	2	8	8		4	5	3				
STM6186	6	1	23	STM6289	2	8	7	STM9132	4	5	3				
STM6189	6	1	18	STM6291	6	1	29	STM9135	4	5	2				
STM6192	6	1	21	STM6299	3	1	26	STM9164	4	3	13				
STM6196	3	1	46		3	2	16	STM9168	4	3	2				
STM6198	3	2	20	STM7059	6	1	13	STM9169	4	3	4				
STM6199	3	1	44	STM7056	6	1	16		4	4	4				
	3	2	22	STM7222	4	4	16	STM9170	4	3	5				
STM6207	4	3	18	STM7254	4	4	13	STM9171	4	3	6				
STM6229	4	1	12	STM7369	1	1	5	STM9172	4	3	7				
STM6235	3	1	25		3	4	9		4	4	5				
STM6236	3	2	40	STM7369	4	6	16	STM9173	4	3	8				
STM6238	4	2	14	STM7584	5	1	15	STM9174	4	3	9				
STM6242	3	1	2	STM7591	4	1	15	STM9177	4	3	20				
STM6243	3	1	1	STM7595	5	1	16	STM9180	4	3	14				
STM6244	3	2	2	STM7601	10	1	5	STM9184	4	1	3				
STM6245	3	2	1		10	2	5	STM9185	4	1	4				

vetus diesel b.v.

FOKKERSTRAAT 571 - 3125 BD SCHIEDAM - HOLLAND - TEL.: +31 (10) 4377700
FAX: +31 (10) 4621286 - 4373474 - 4153249 - 4372673 - E-MAIL: DIESEL@VETUS.NL