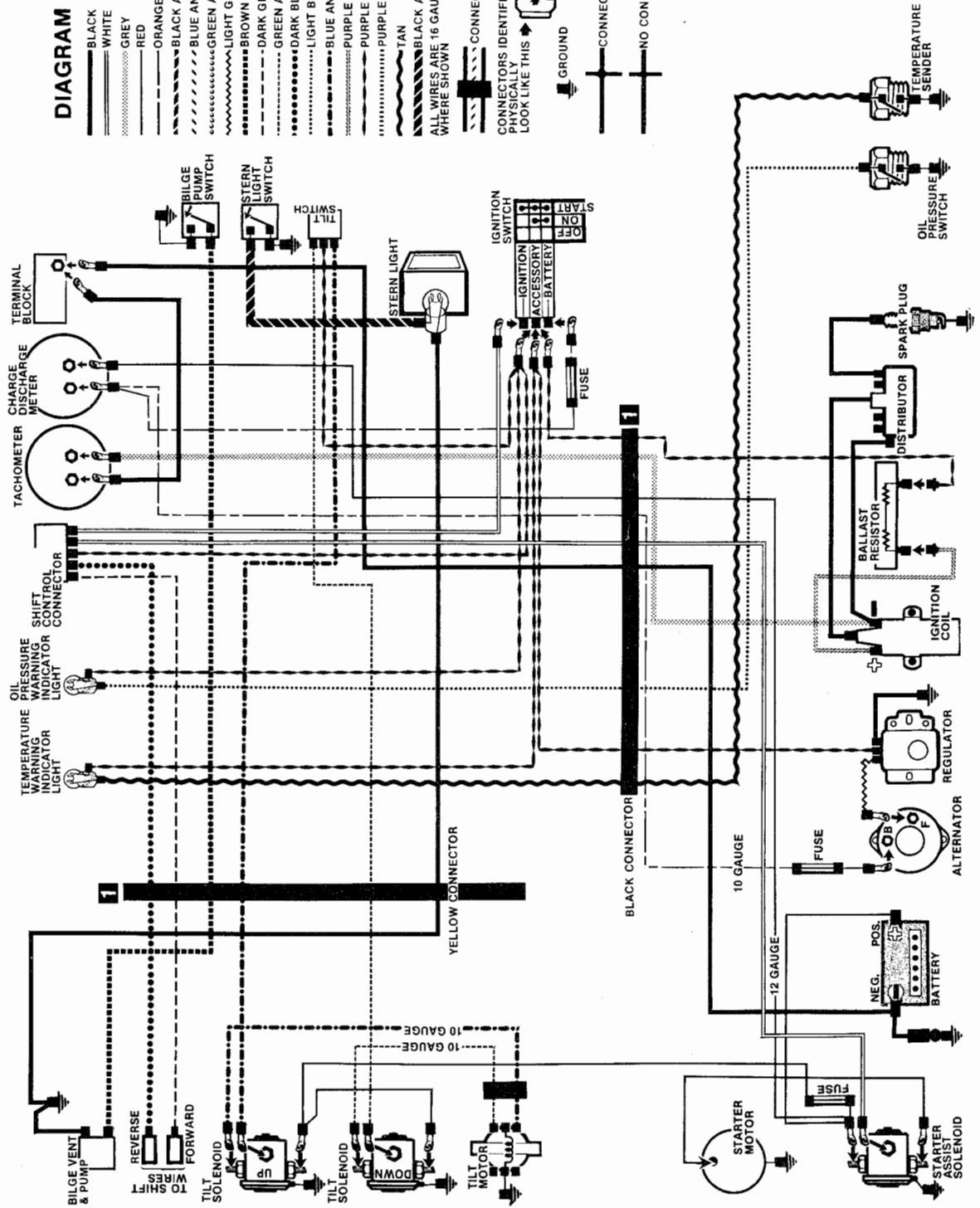
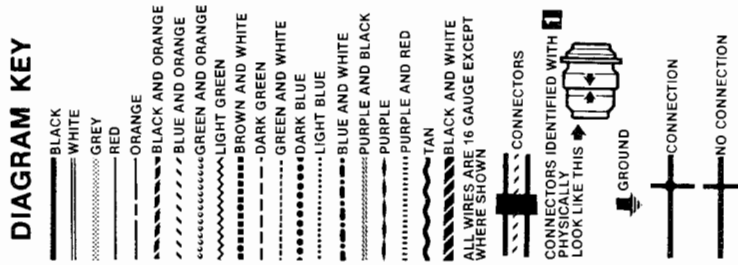
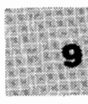
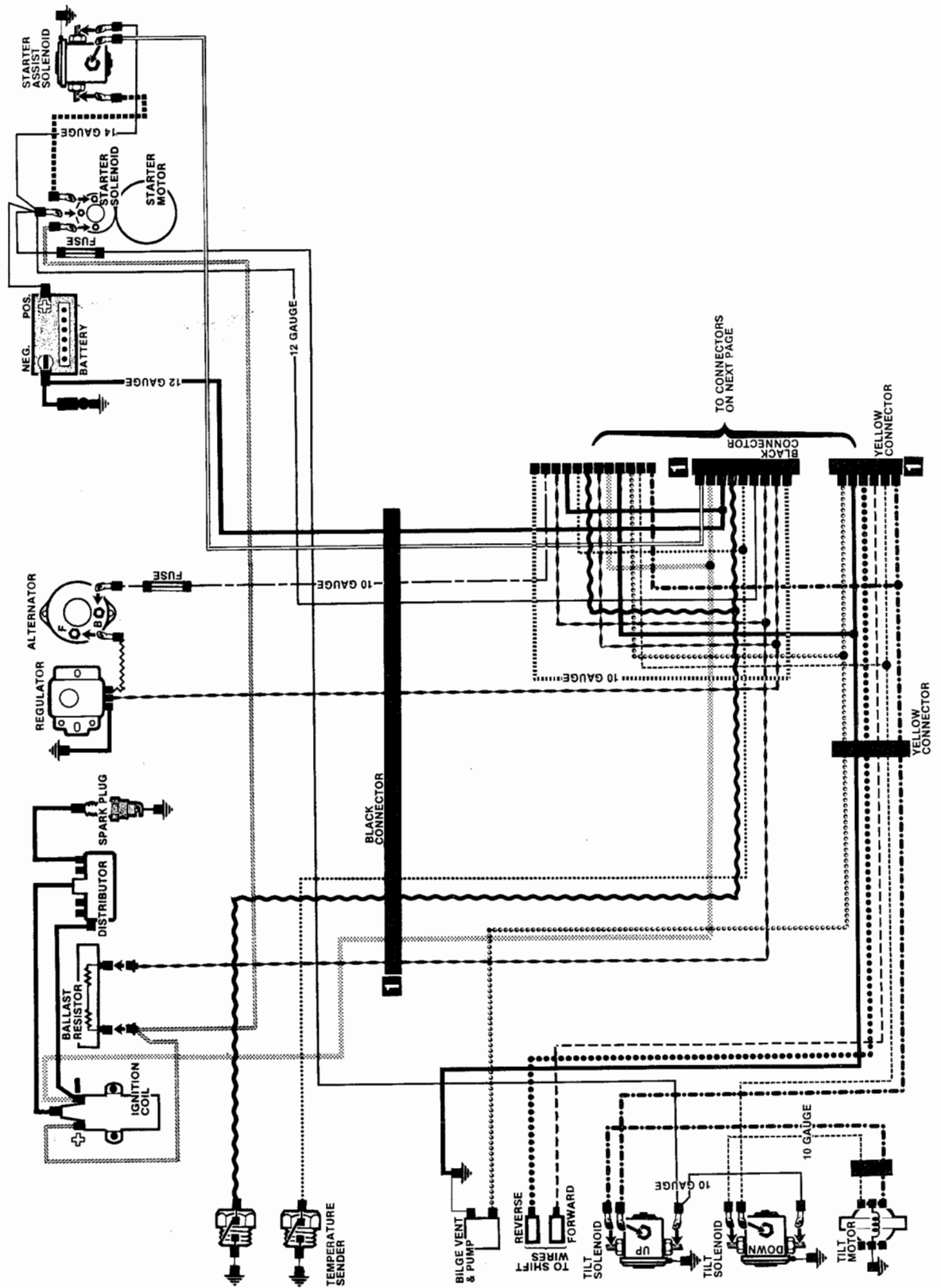


1964-1971 FIXED MOUNT, SINGLE STATION



1964-1971 FIXED MOUNTS, DUAL STATION



1964-1971 FIXED MOUNTS, DUAL STATION

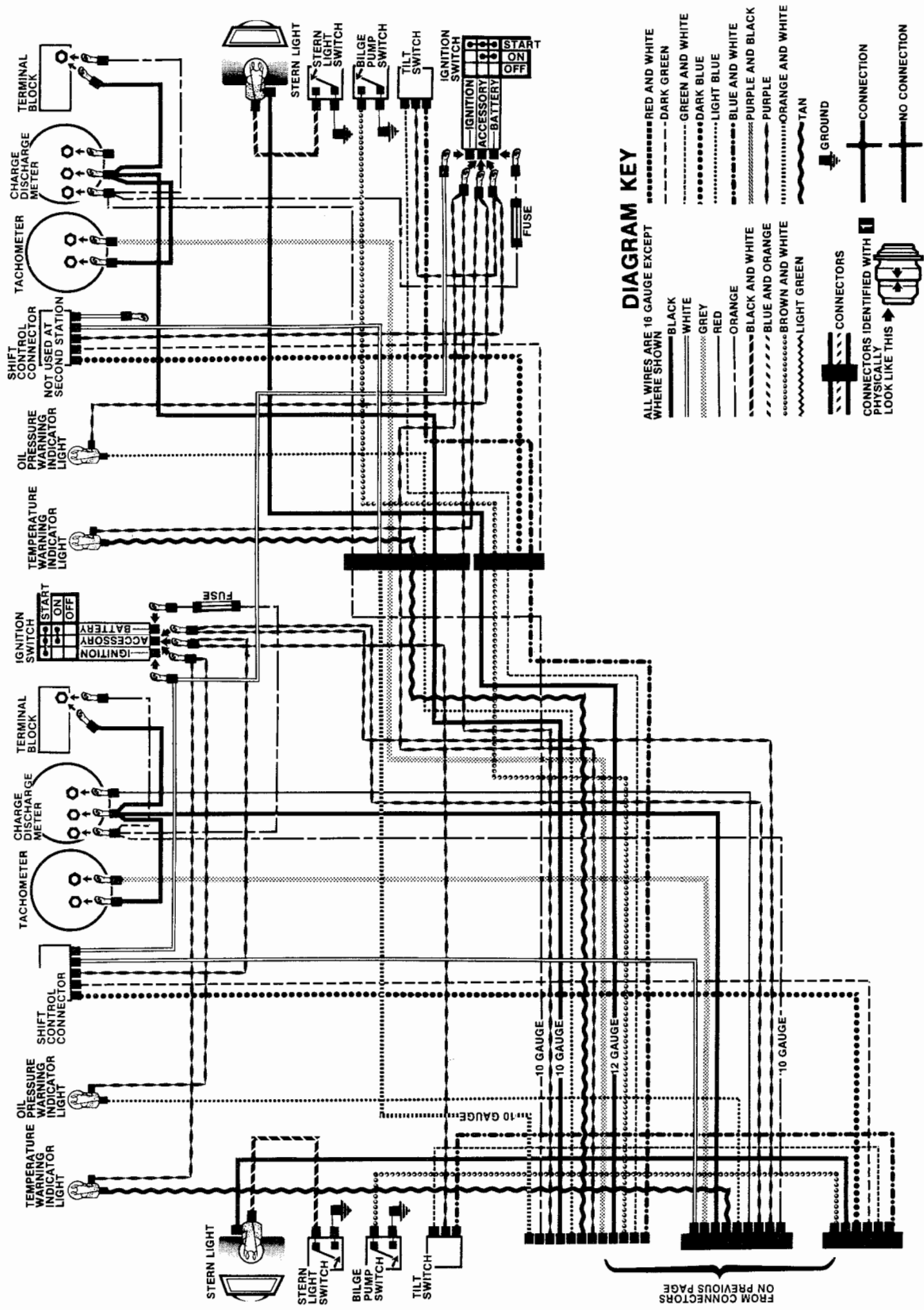
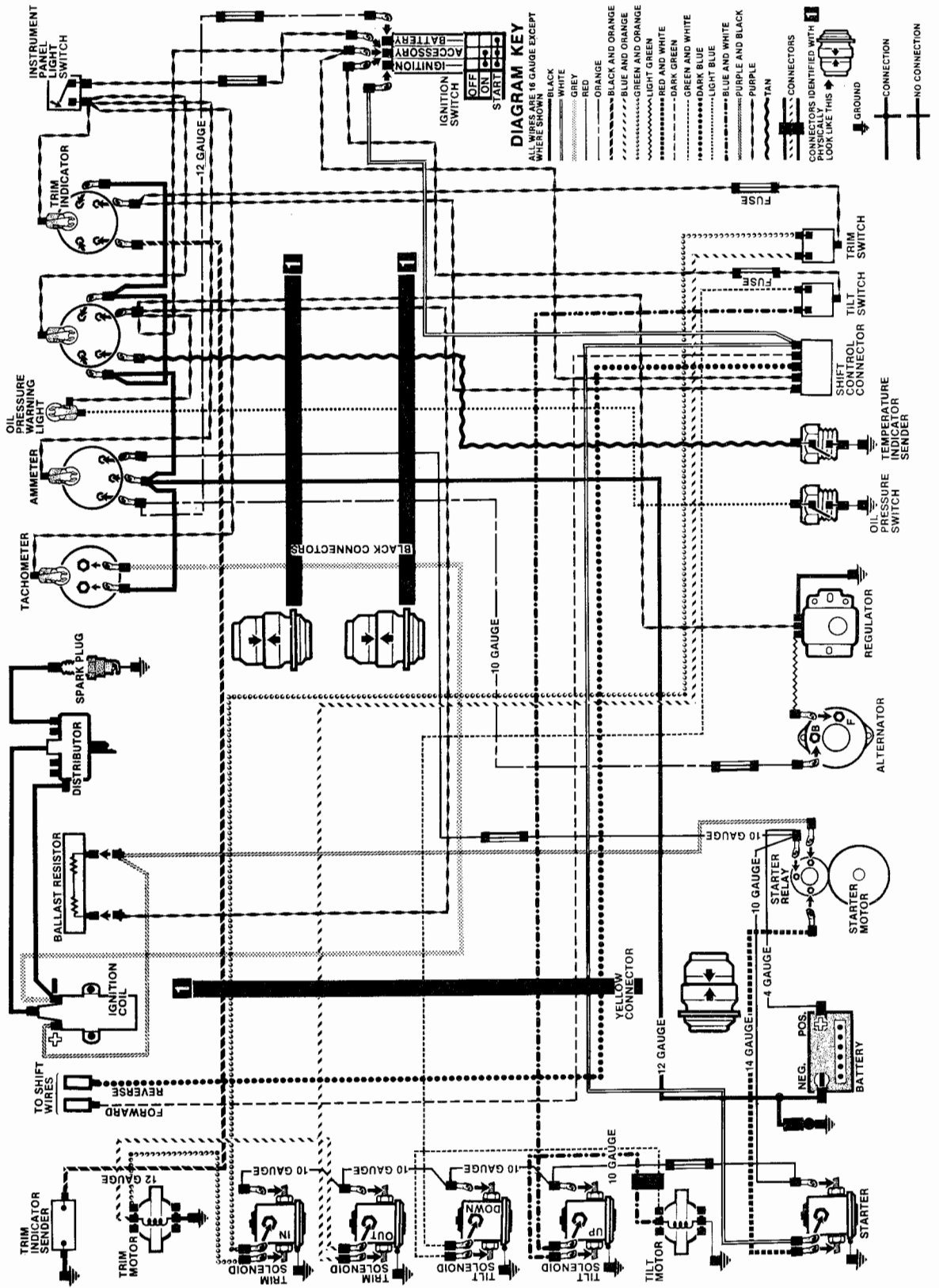


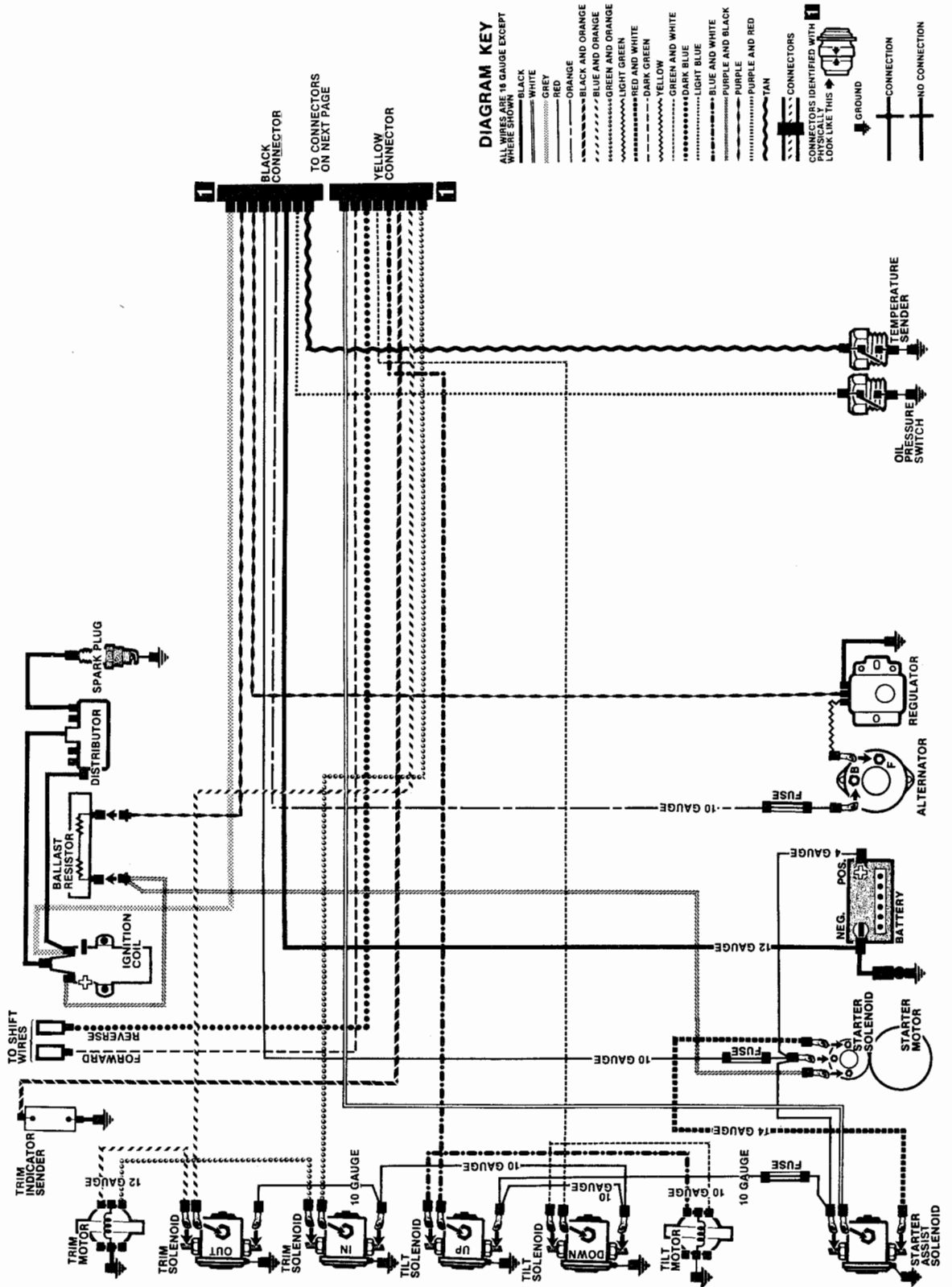
DIAGRAM KEY

- ALL WIRES ARE 16 GAUGE EXCEPT WHERE SHOWN
- BLACK
 - WHITE
 - GREY
 - RED
 - ORANGE
 - BLACK AND WHITE
 - BLUE AND ORANGE
 - BROWN AND WHITE
 - LIGHT GREEN
 - RED AND WHITE
 - DARK GREEN
 - GREEN AND WHITE
 - DARK BLUE
 - LIGHT BLUE
 - BLUE AND WHITE
 - PURPLE AND BLACK
 - PURPLE
 - ORANGE AND WHITE
 - TAN
- CONNECTORS IDENTIFIED WITH [Symbol] PHYSICALLY LOOK LIKE THIS [Symbol]
- CONNECTORS
- GROUND
- CONNECTION
- NO CONNECTION

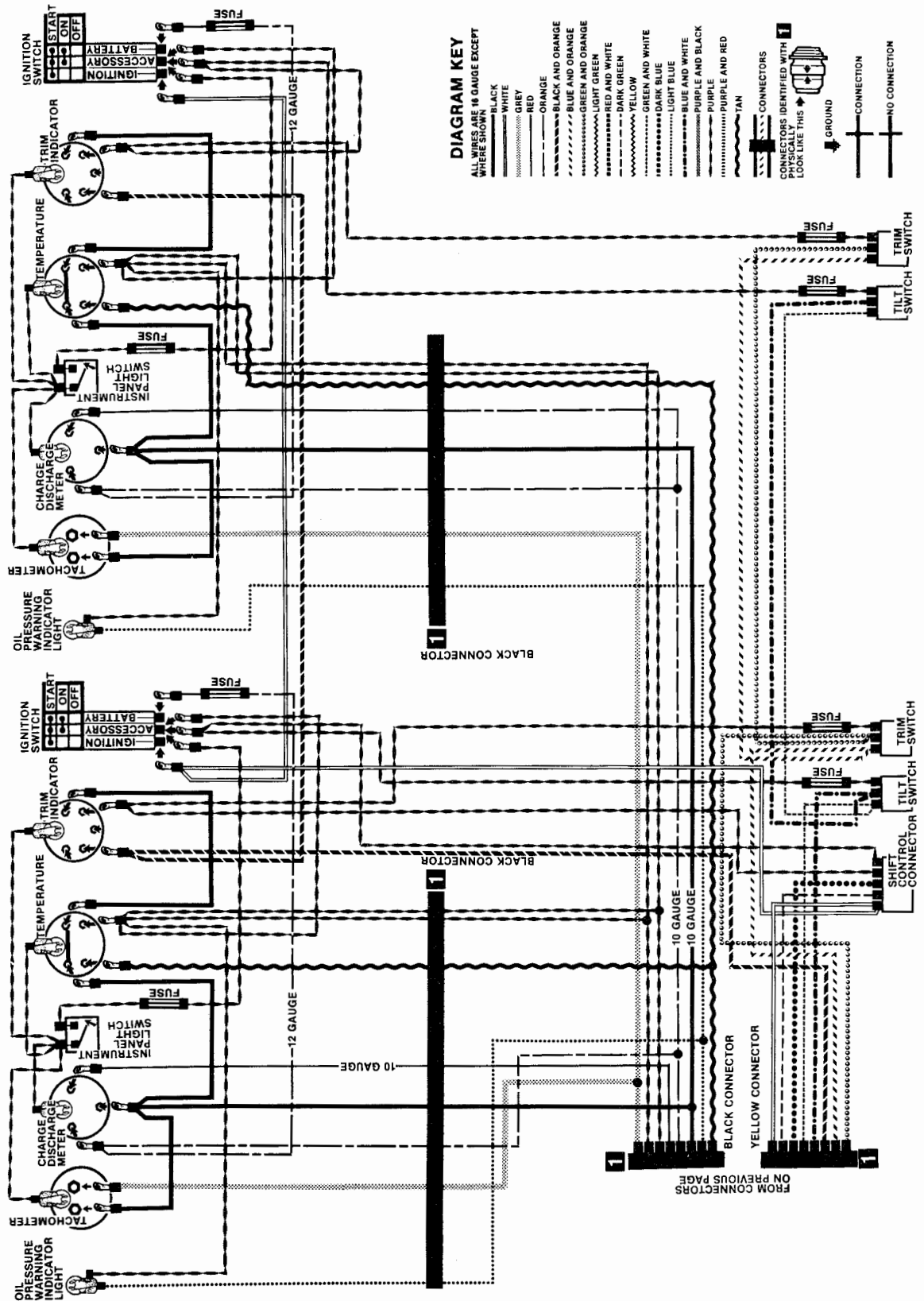
1964-1971 SELECTRIM, SINGLE STATION



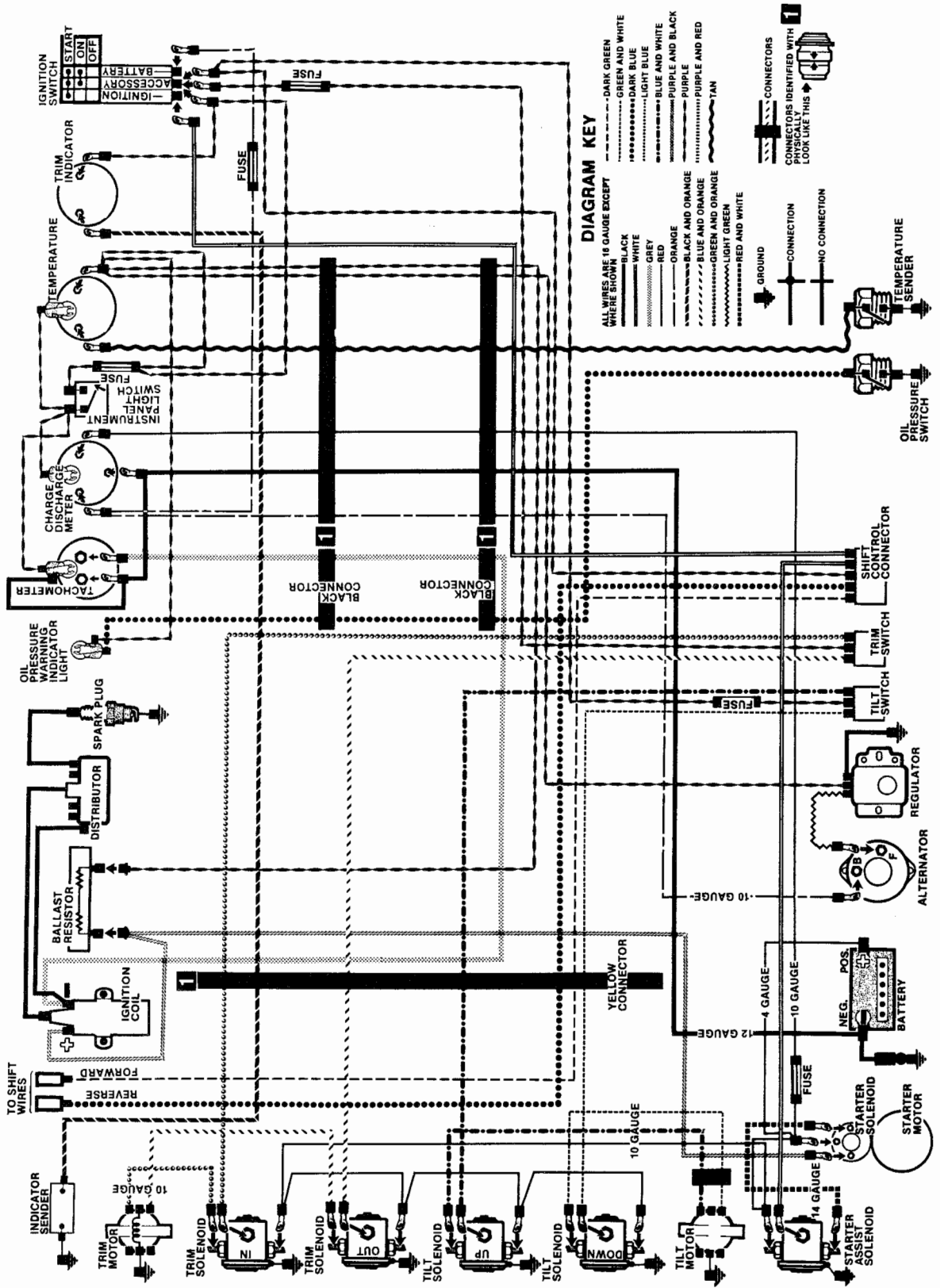
1964-1971 SELECTRIM, DUAL STATION



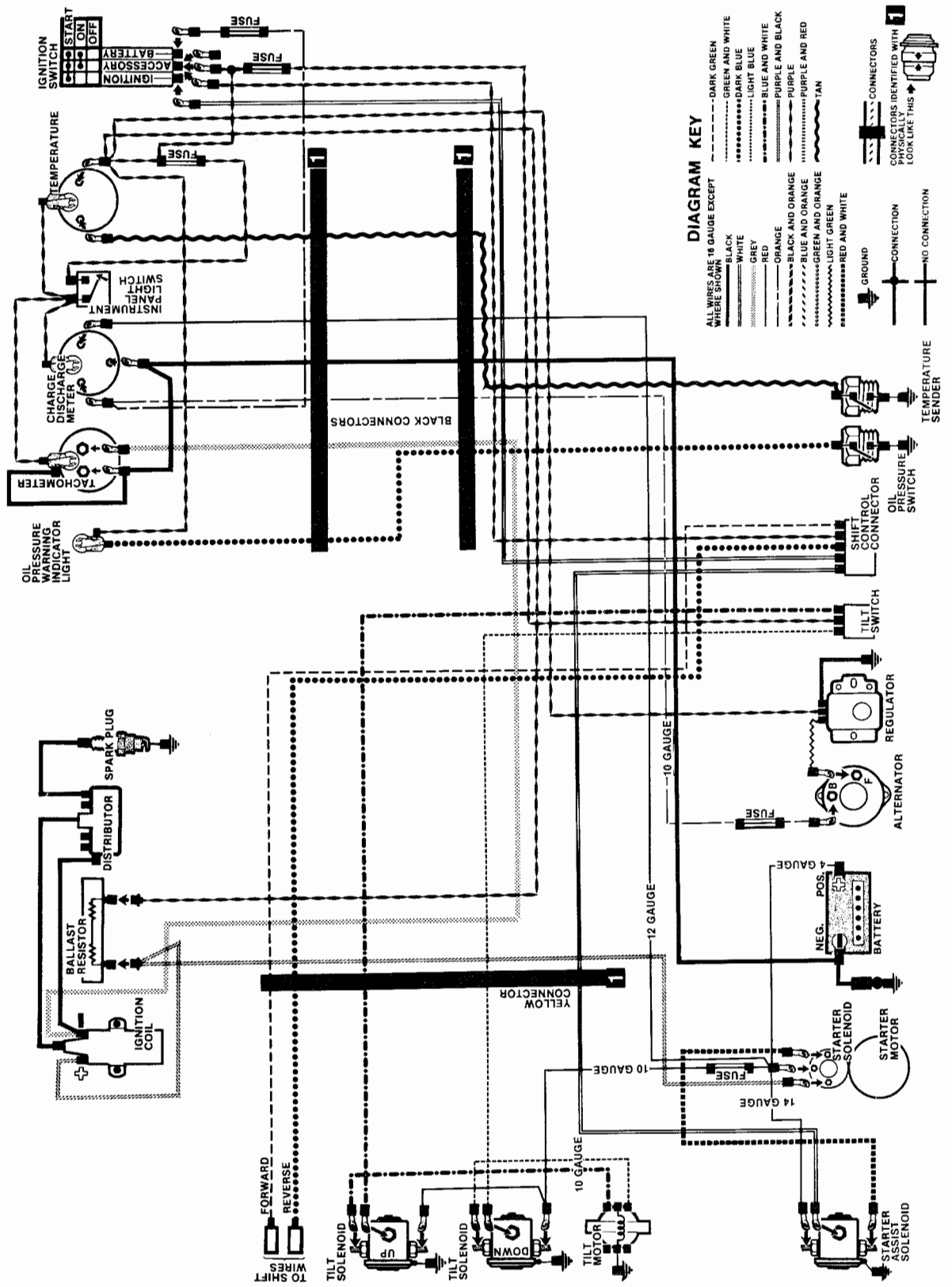
1964-1971 SELECTRIM, DUAL STATION



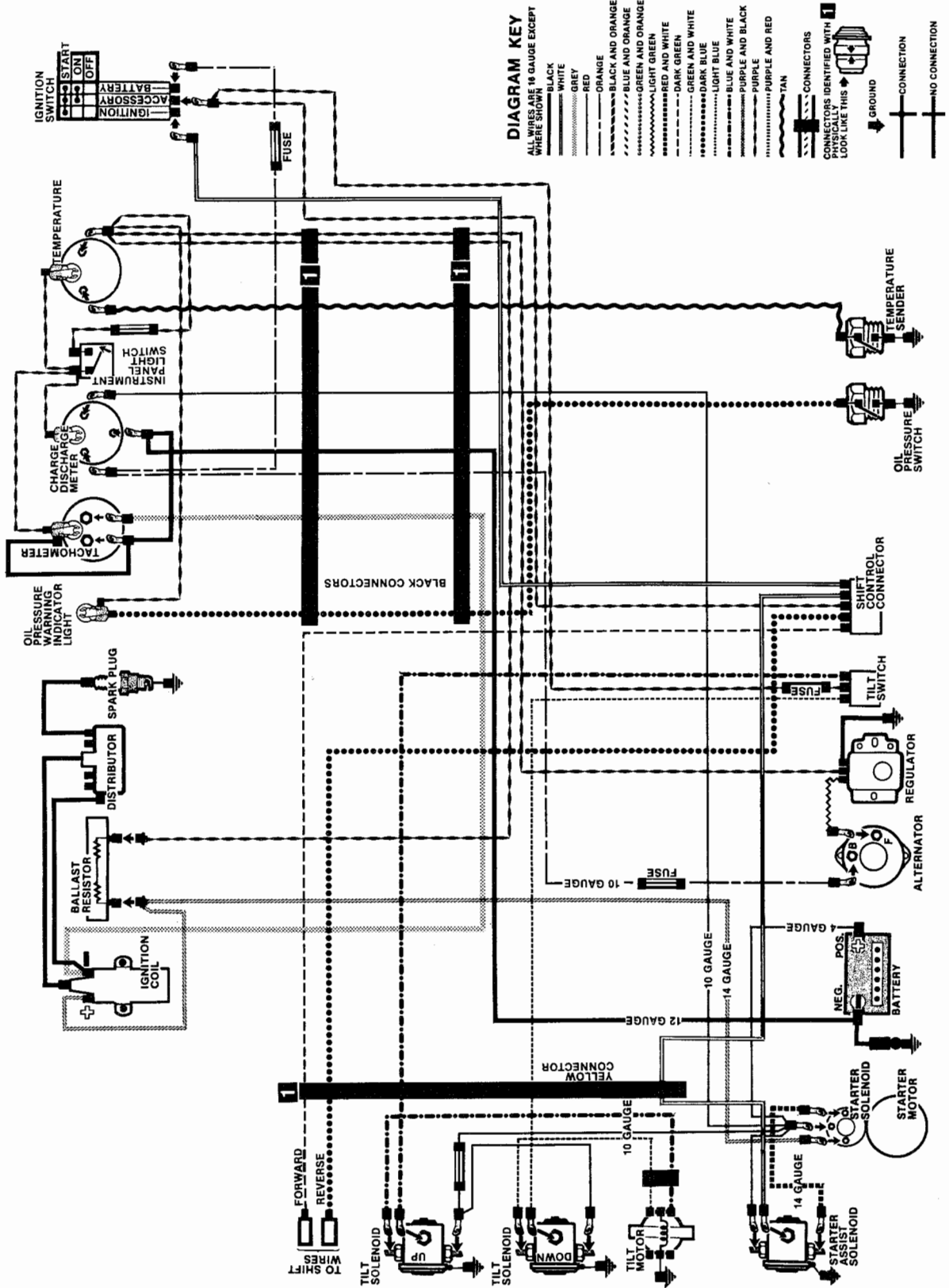
1974-1976 140 HP SELECTRIM



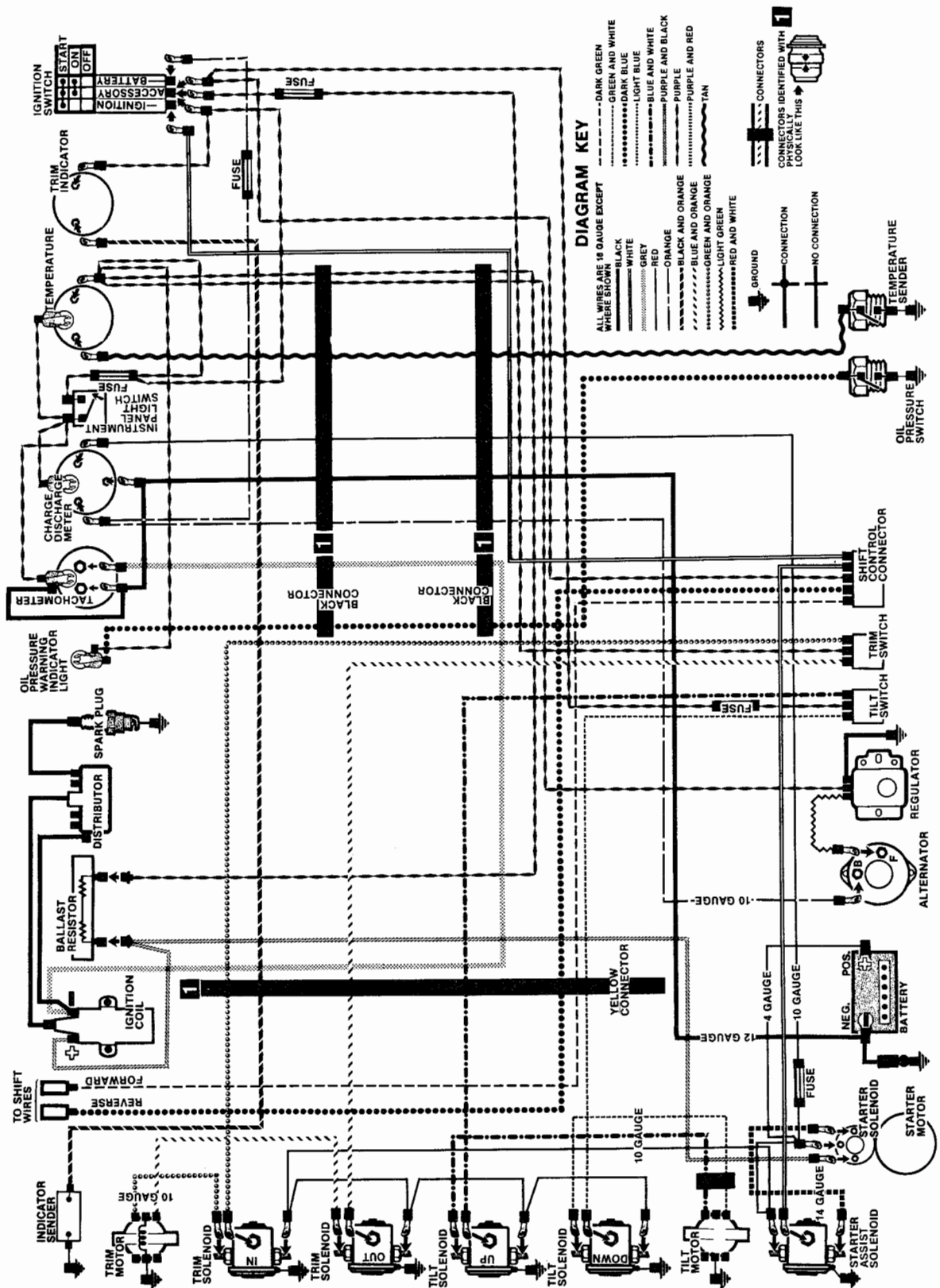
1972 100 HP



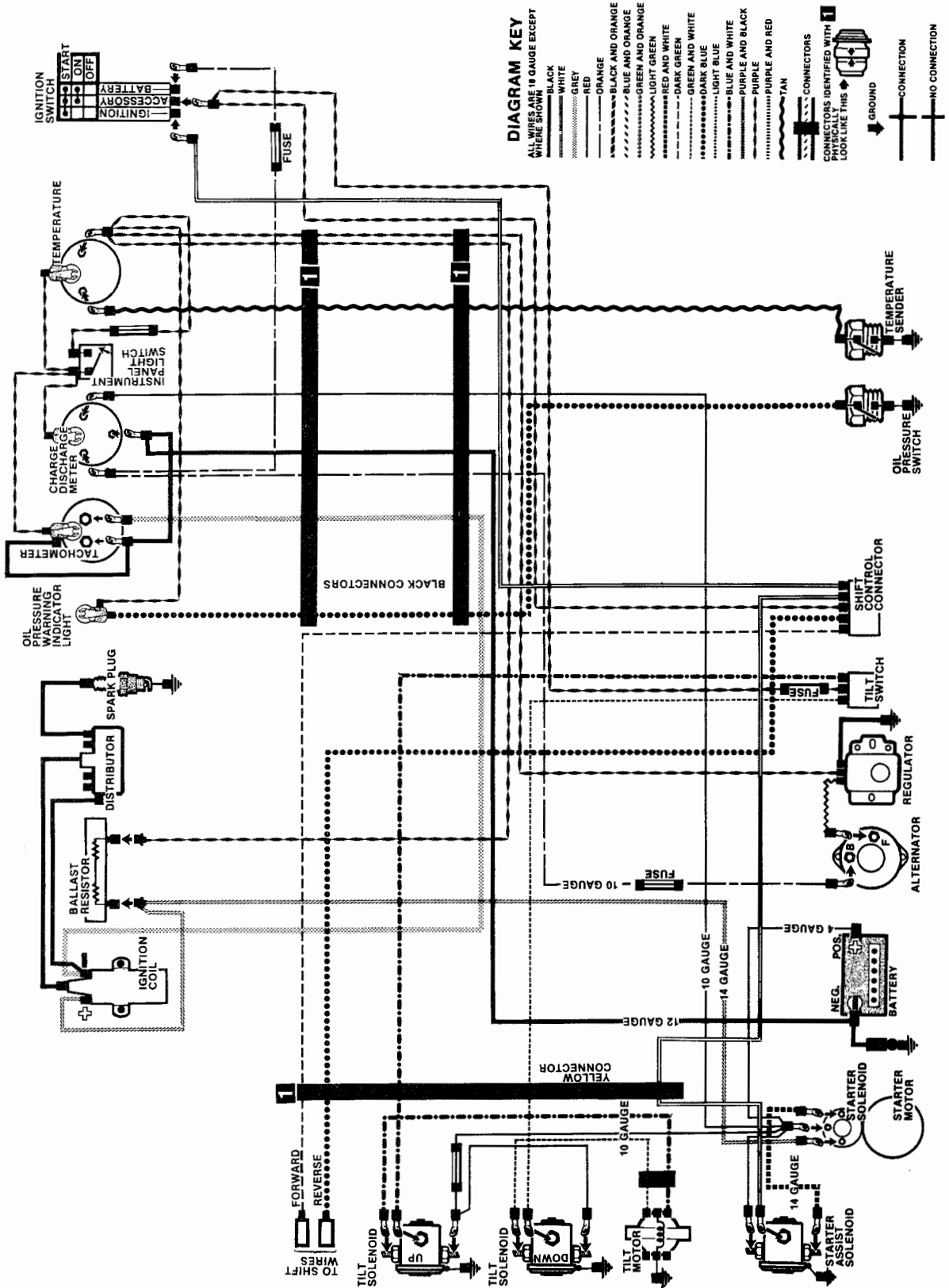
1974-1976 120/140/165/225 HP MANUAL TRIM



1972 120/165 HP SELECTRIM



1972 140/225/245 HP



**1972 100/225/245 HP
SECOND STATION**

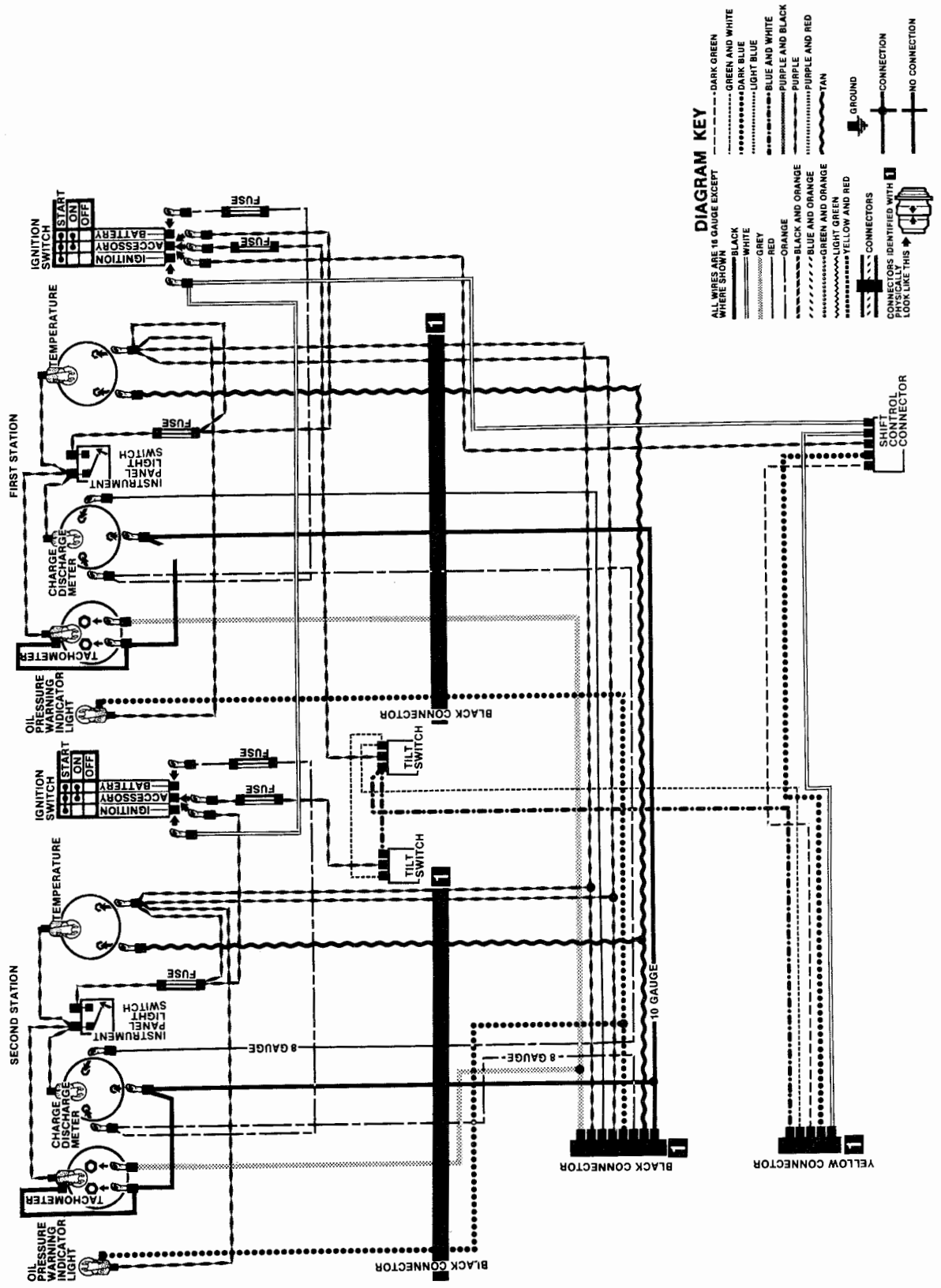
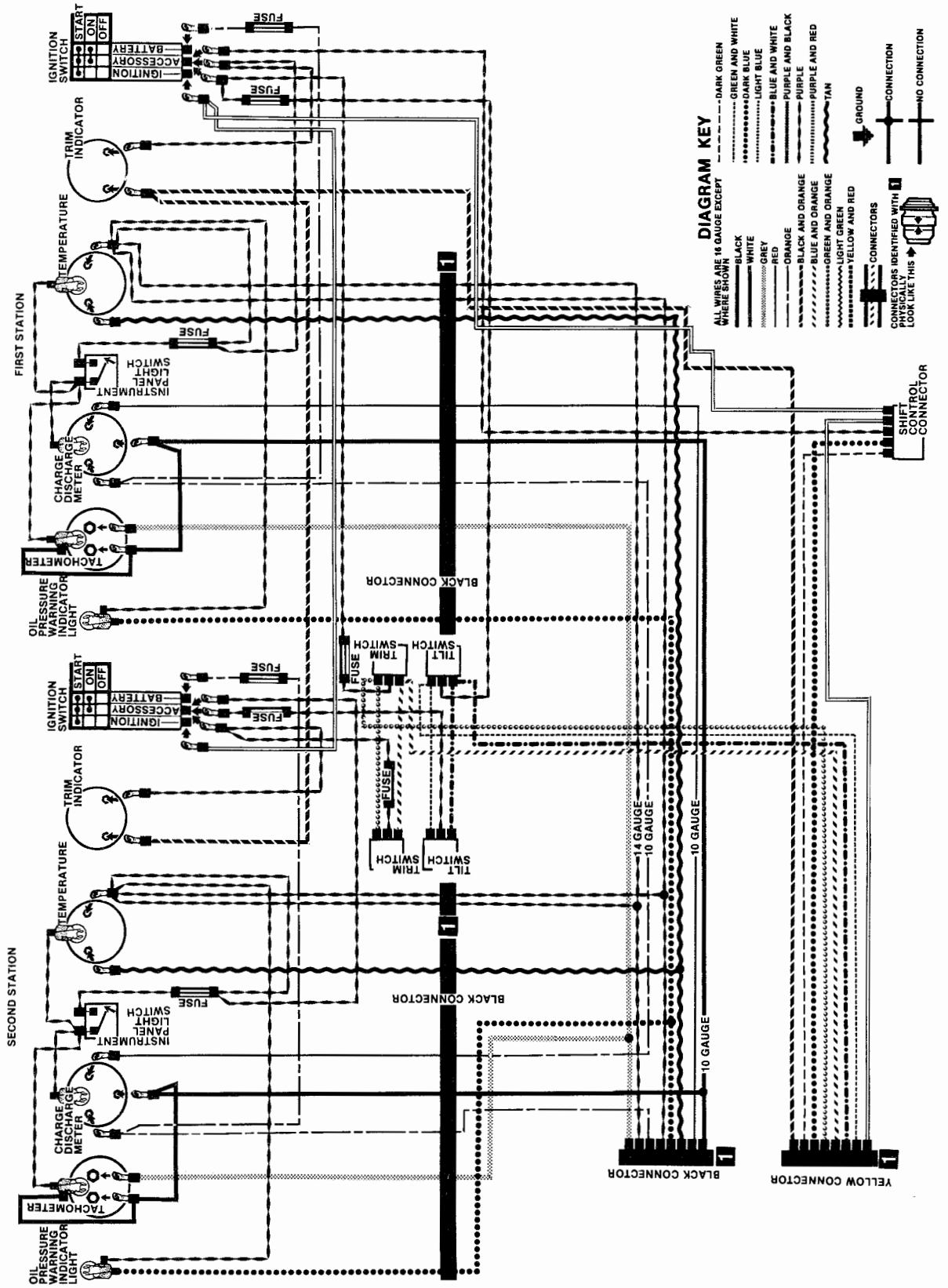


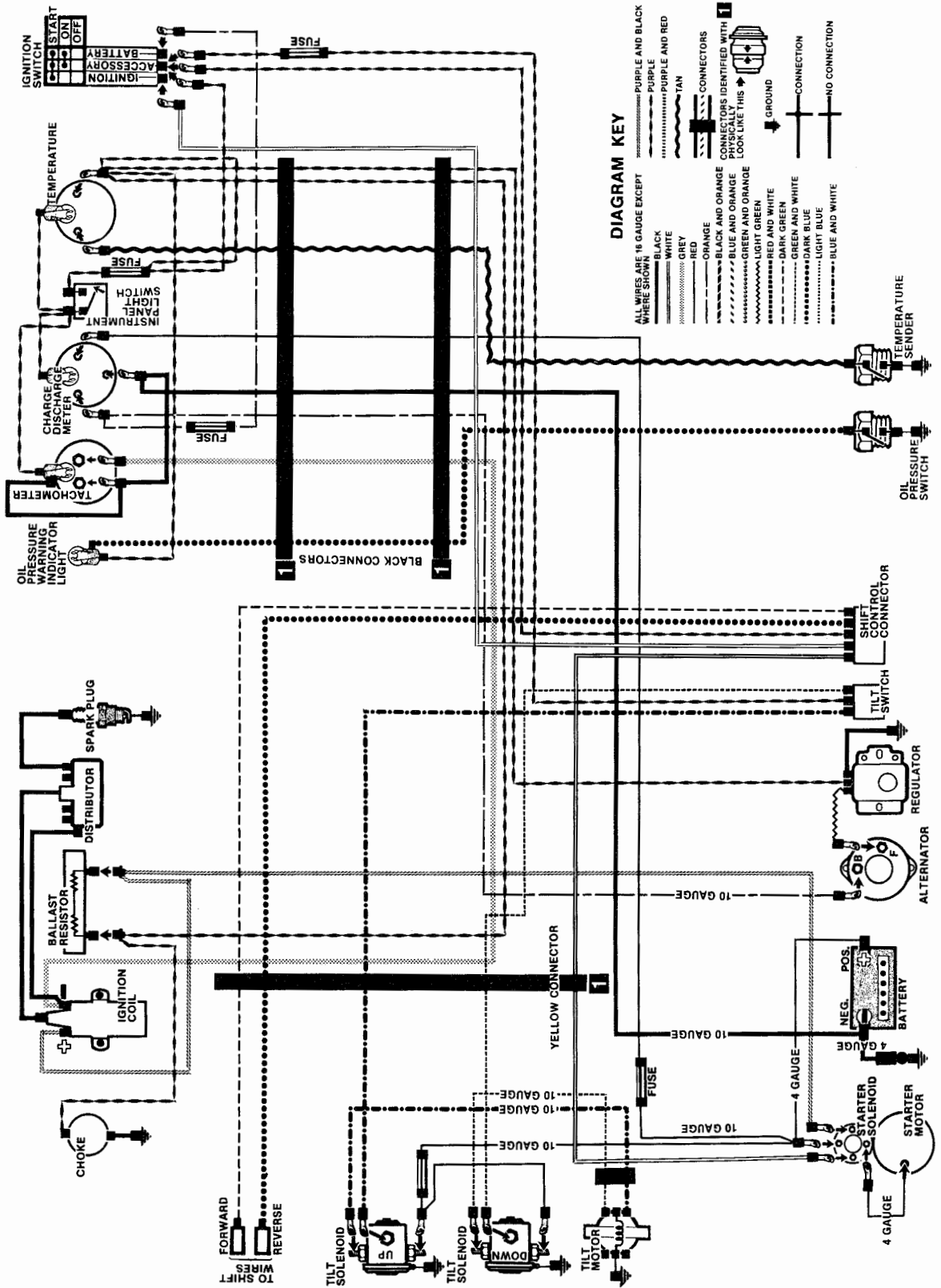
DIAGRAM KEY

- ALL WIRES ARE 16 GAUGE EXCEPT WHERE SHOWN
- BLACK
 - GREEN AND WHITE
 - DARK BLUE
 - DARK BLUE
 - LIGHT BLUE
 - WHITE
 - GREY
 - RED
 - ORANGE
 - ORANGE AND BLACK
 - BLACK AND ORANGE
 - BLUE AND ORANGE
 - PURPLE AND RED
 - PURPLE AND BLACK
 - PURPLE AND WHITE
 - PURPLE AND BLUE
 - PURPLE AND RED
 - TAN
 - LIGHT GREEN
 - GREEN AND ORANGE
 - YELLOW AND RED
- CONNECTORS IDENTIFIED WITH THIS SYMBOL
- CONNECTORS PHYSICALLY LOOK LIKE THIS
- GROUND
- CONNECTION
- NO CONNECTION

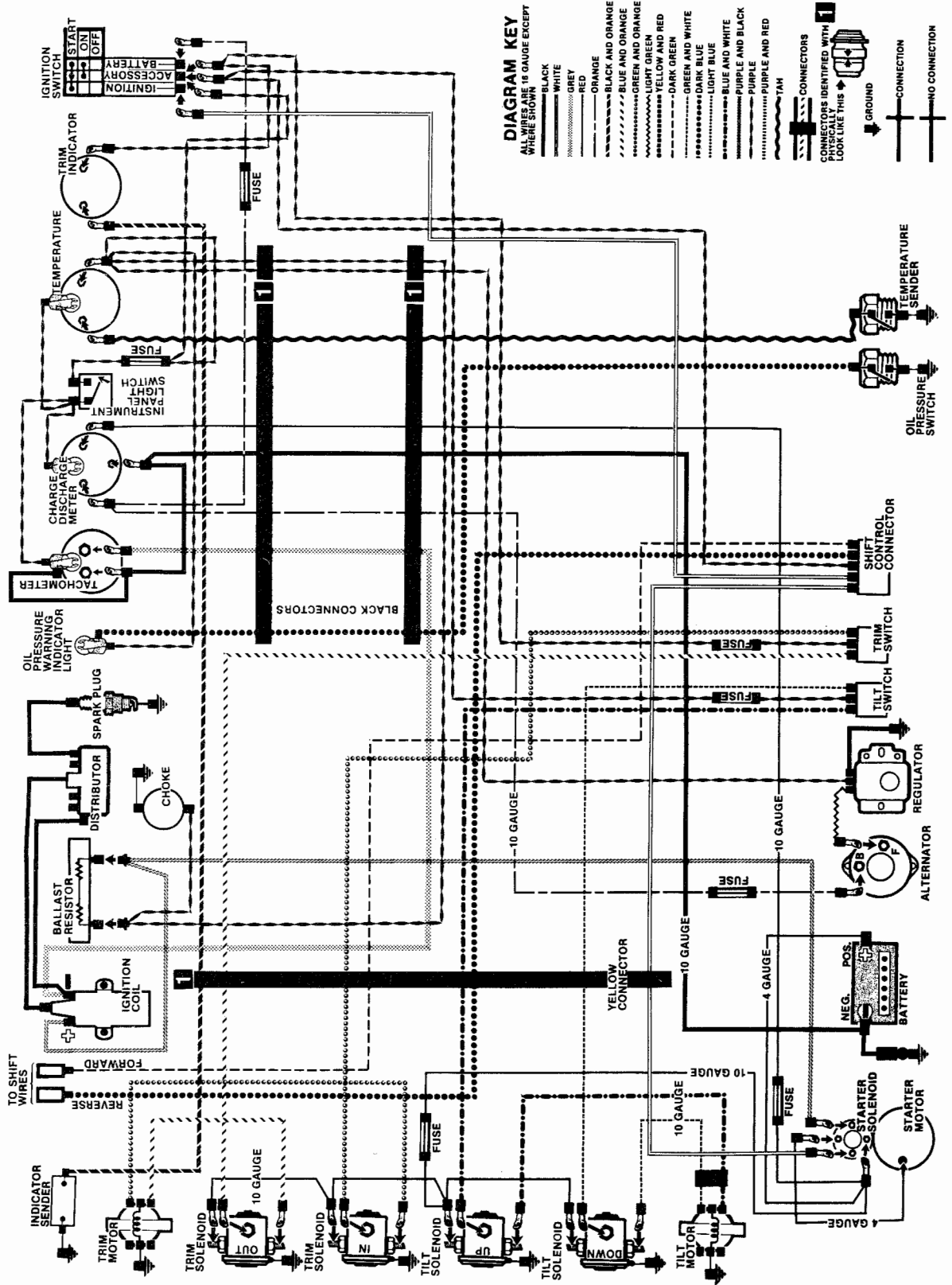
**1972 120/140/165 HP
SECOND STATION**



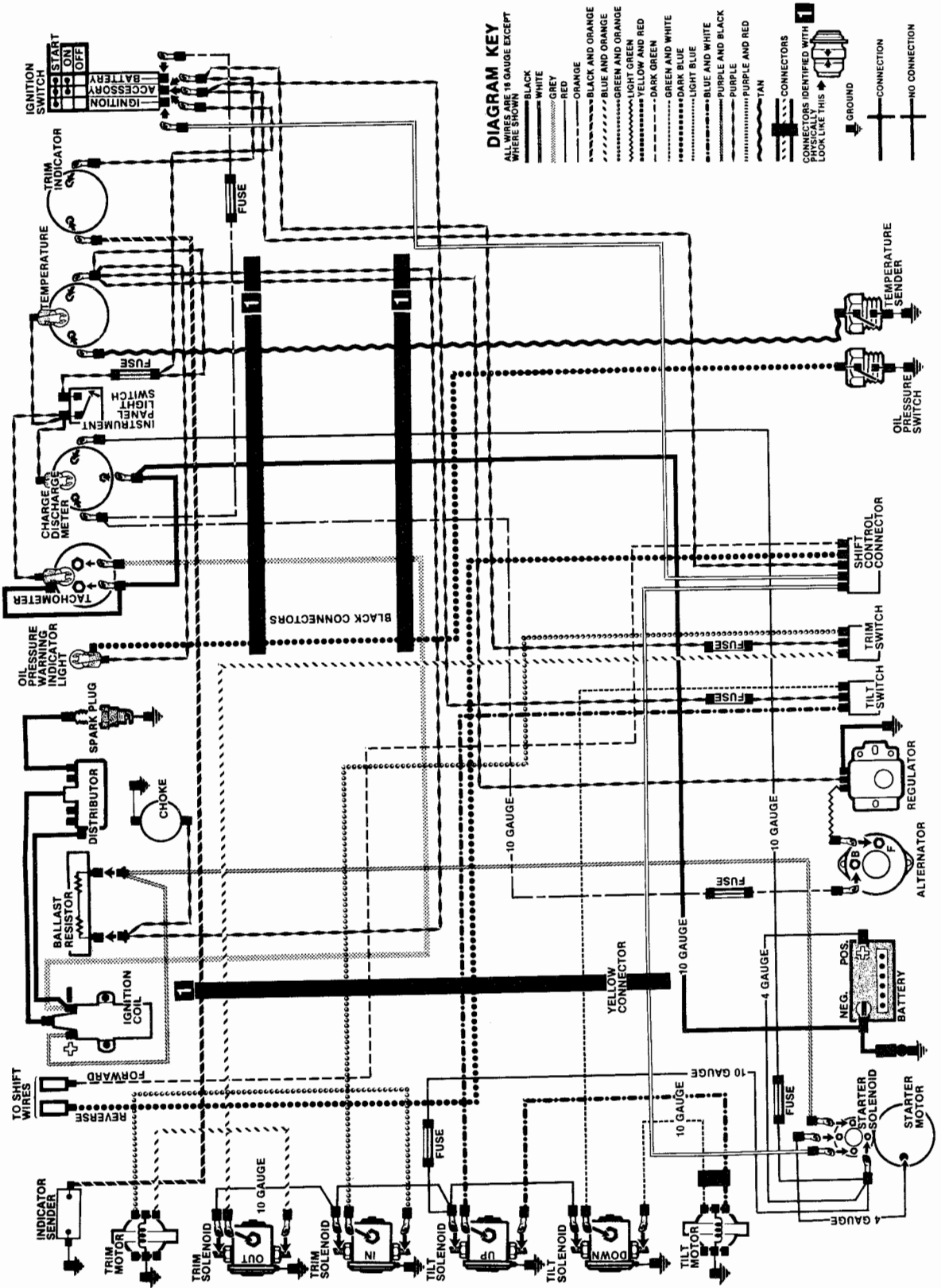
1973 175/190/235 HP FIXED MOUNT



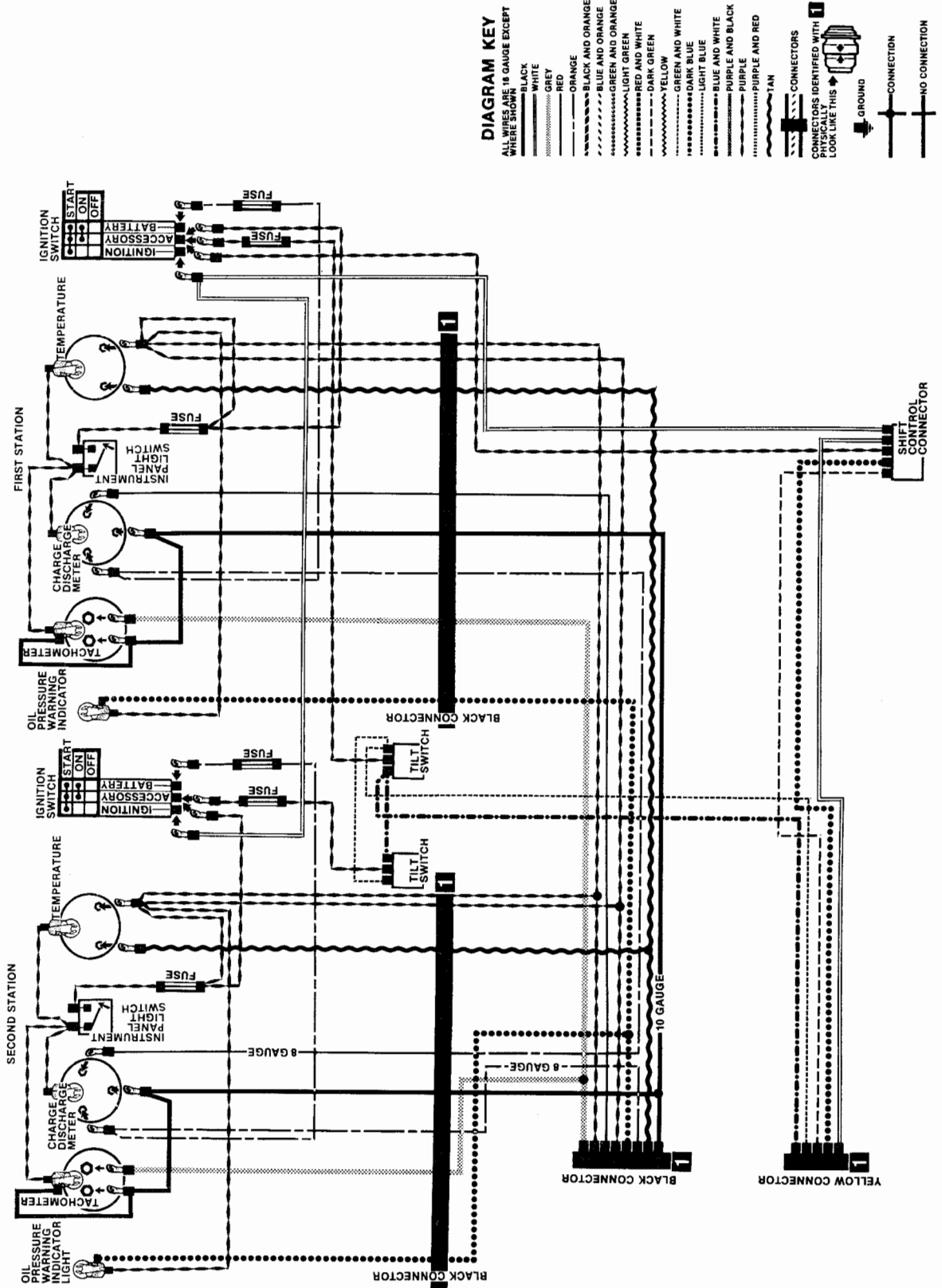
1973 175/190/235 HP SELECTRIM



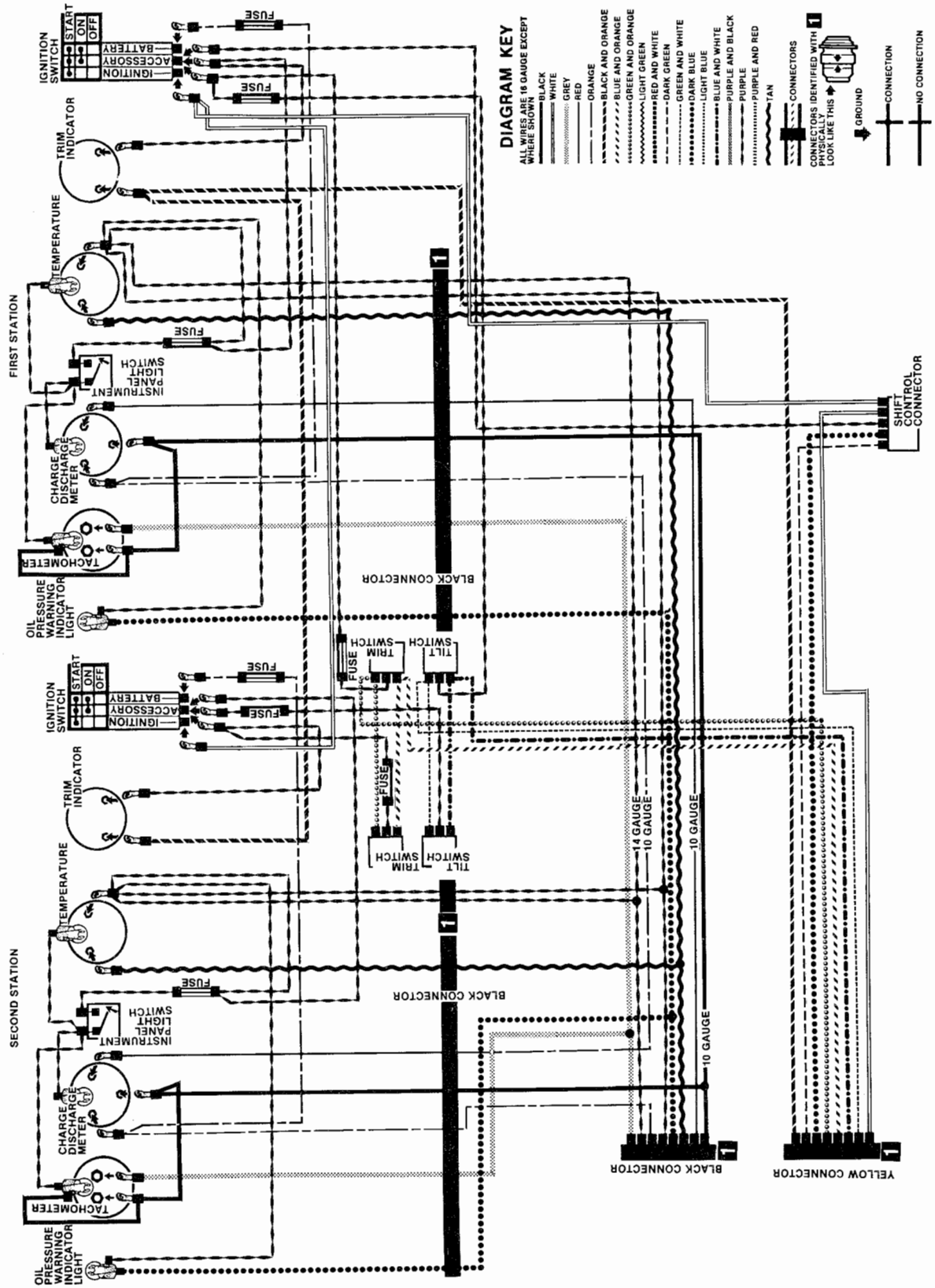
1974-1976 175/190/235 HP SELECTRIM



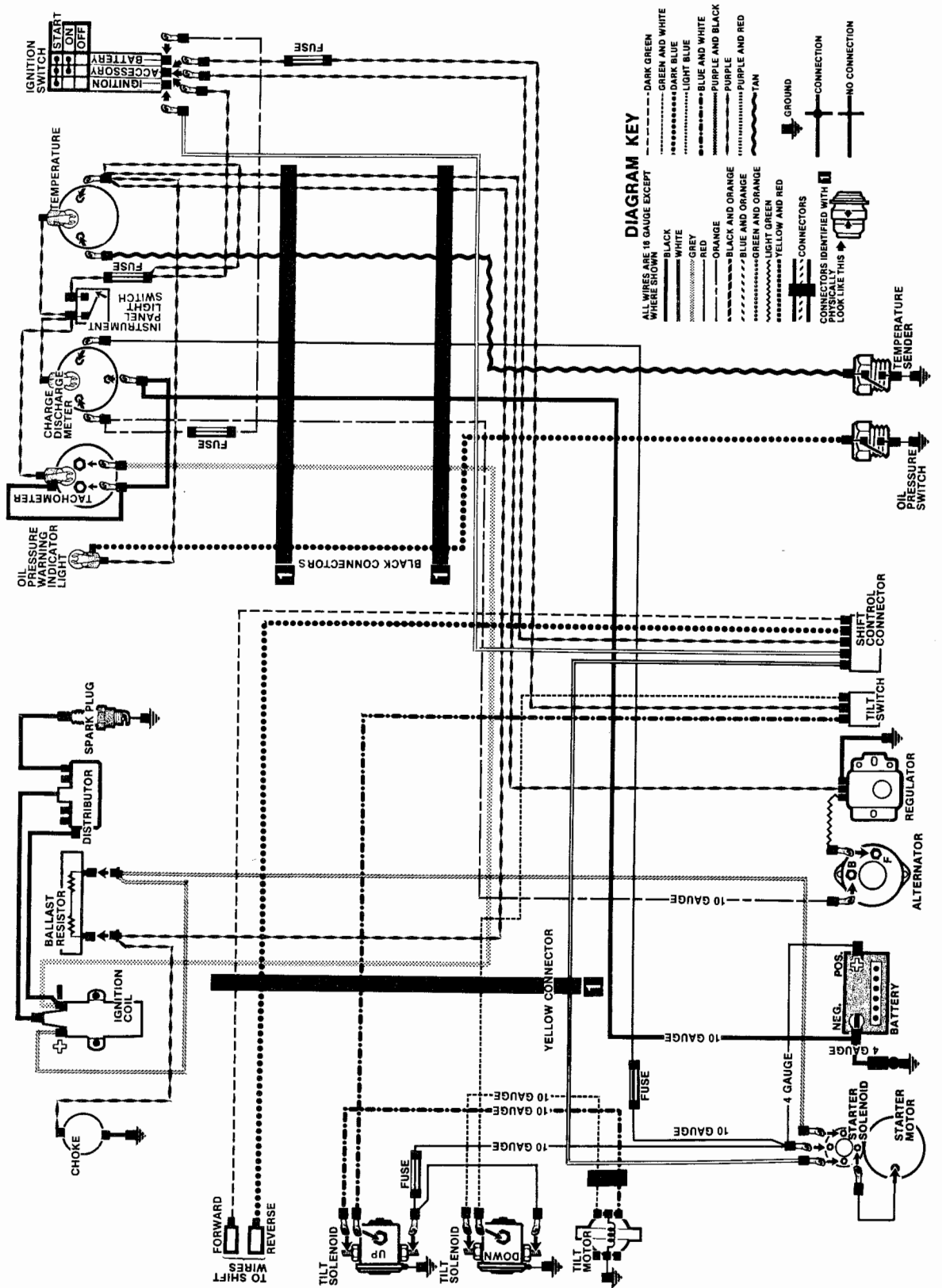
1973 SECOND STATION (FIXED MOUNT)



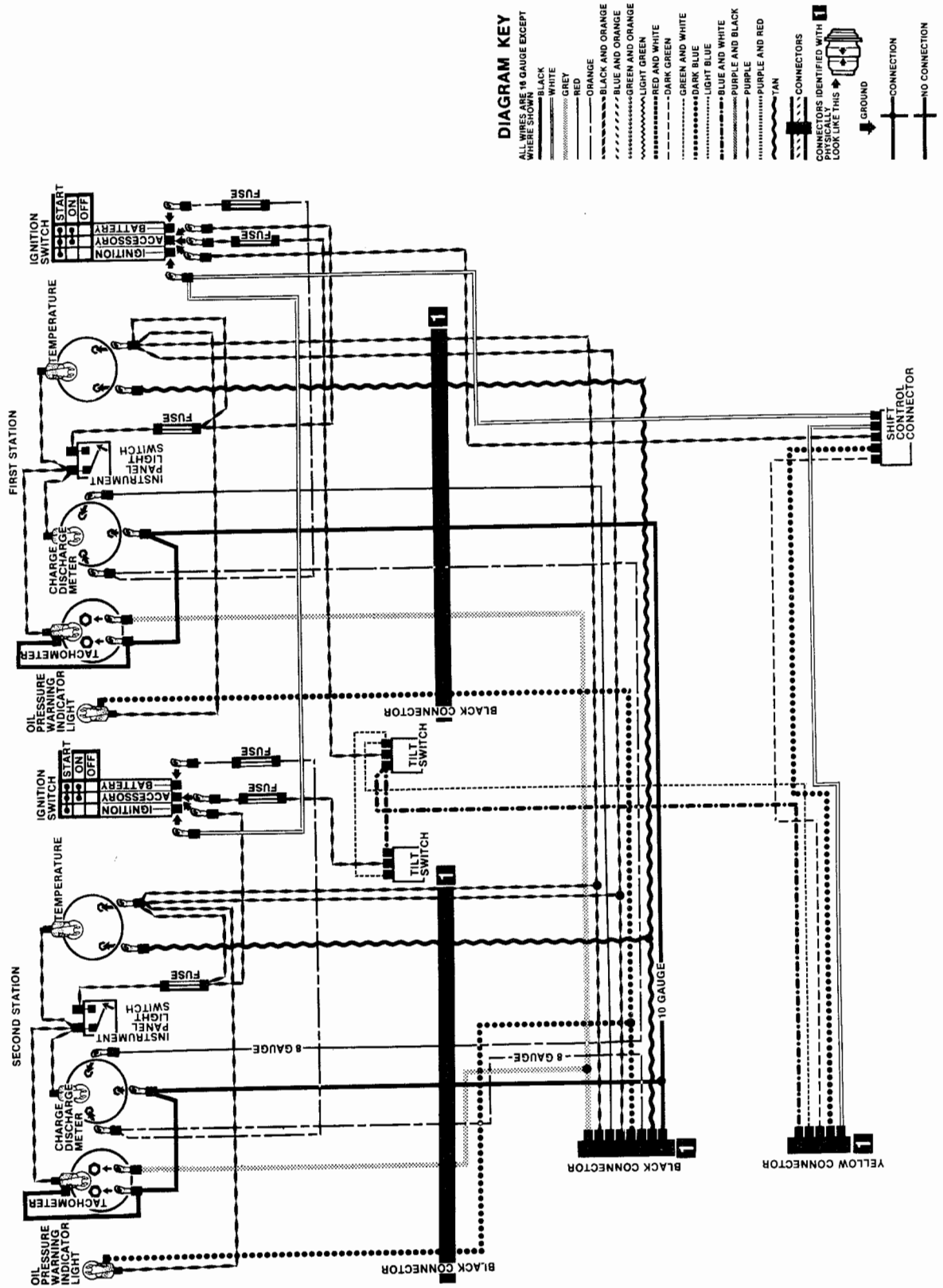
1973 SECOND STATION (SELECTRIM)



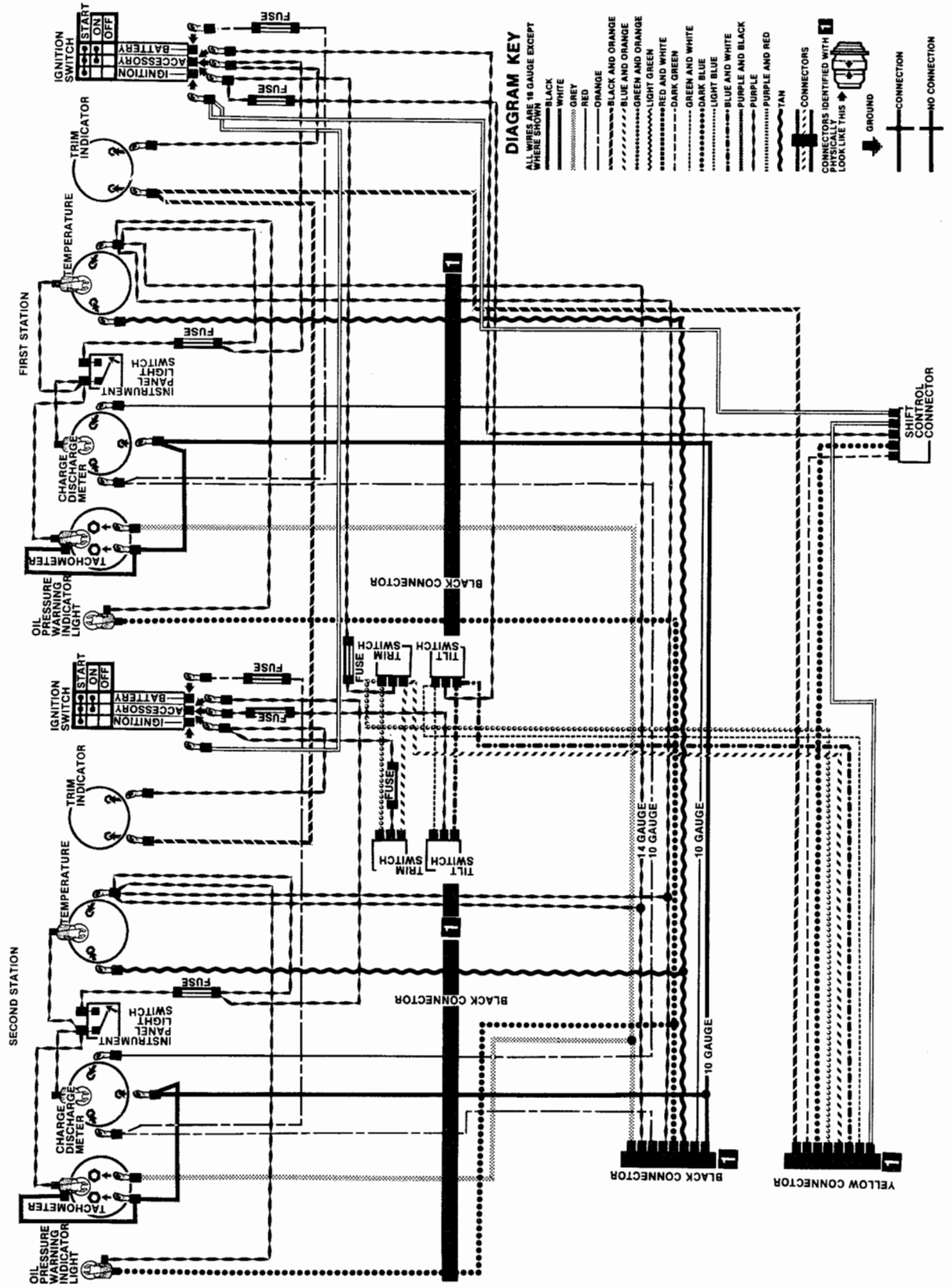
1974-1976 175/190/235 HP FIXED MOUNT



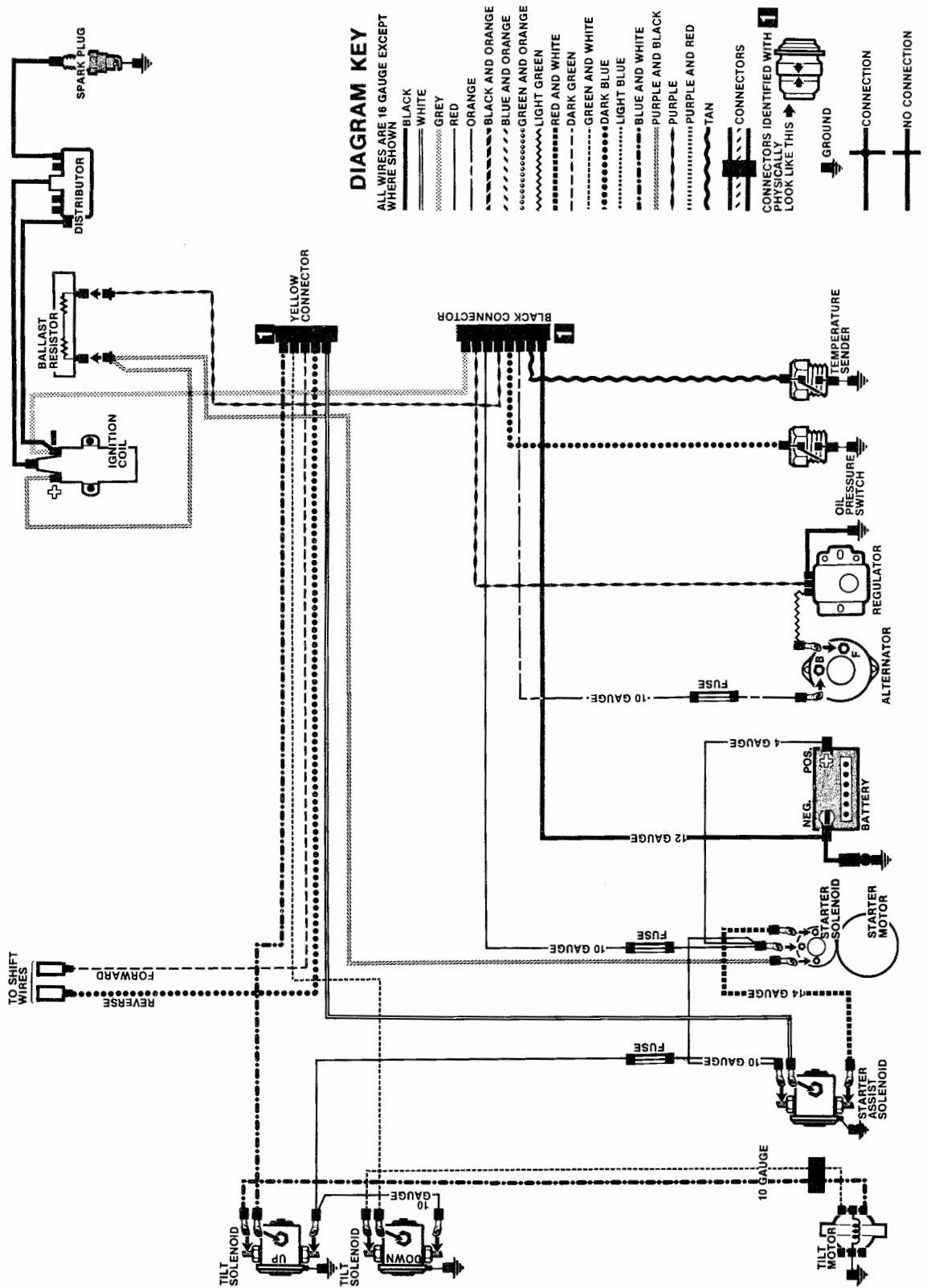
1974-1976 SECOND STATION (FIXED MOUNT)



1974-1976 SECOND STATION (SELECTRIM)



1977 120/140 HP MANUAL TRIM



1977 120/140 HP SELECTRIM

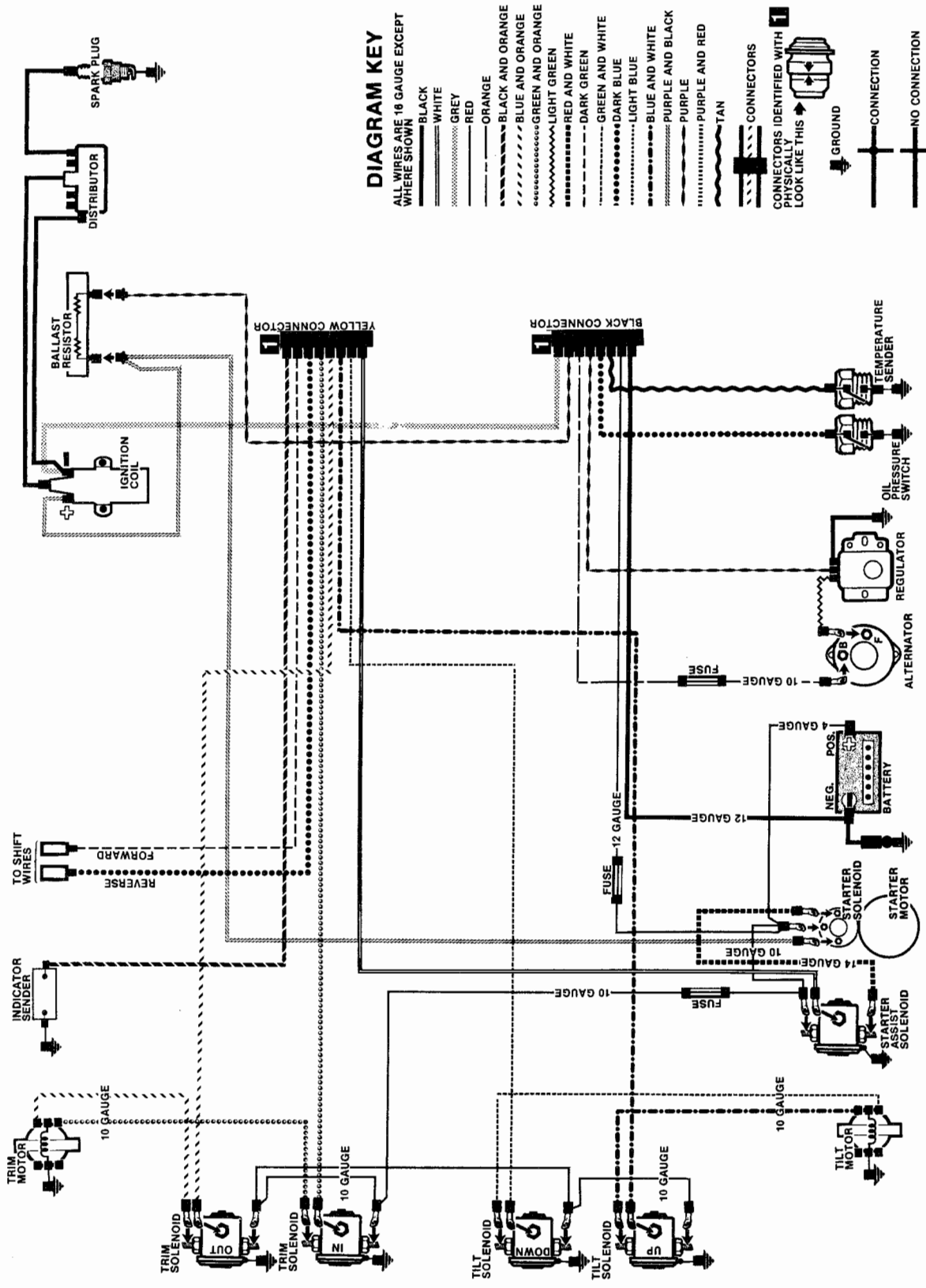
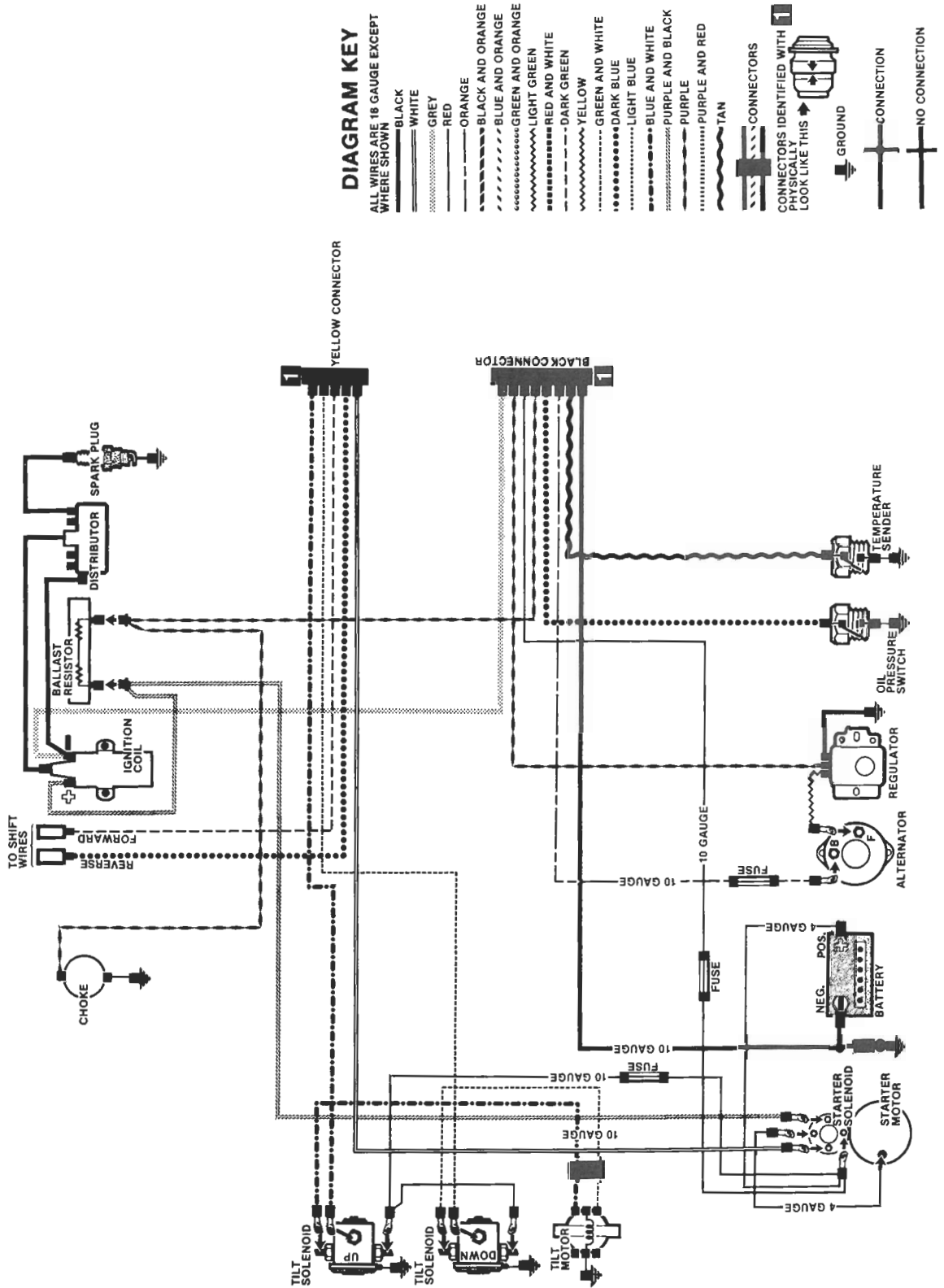


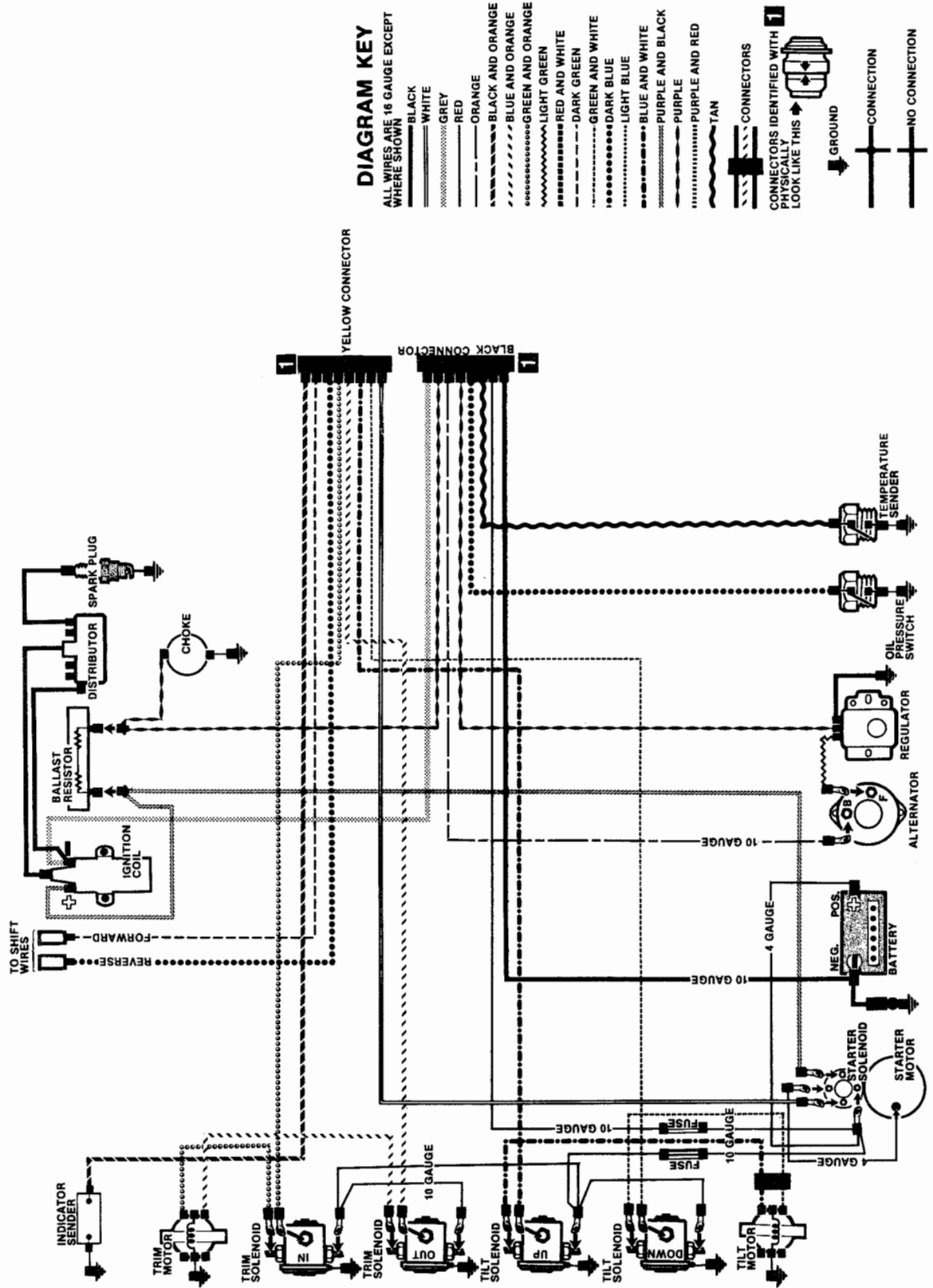
DIAGRAM KEY

- ALL WIRES ARE 18 GAUGE EXCEPT WHERE SHOWN
- BLACK
 - WHITE
 - GREY
 - RED
 - ORANGE
 - BLACK AND ORANGE
 - BLUE AND ORANGE
 - GREEN AND ORANGE
 - LIGHT GREEN
 - RED AND WHITE
 - DARK GREEN
 - GREEN AND WHITE
 - DARK BLUE
 - LIGHT BLUE
 - BLUE AND WHITE
 - PURPLE AND BLACK
 - PURPLE
 - PURPLE AND RED
 - TAN
- CONNECTORS IDENTIFIED WITH PHYSICAL SYMBOLS THAT LOOK LIKE THIS
- CONNECTORS
 - GROUND
 - CONNECTION
 - NO CONNECTION

1977 175/190/235 HP FIXED MOUNT



1977 175/190/235 HP SELECTRIM



1977 INSTRUMENTS

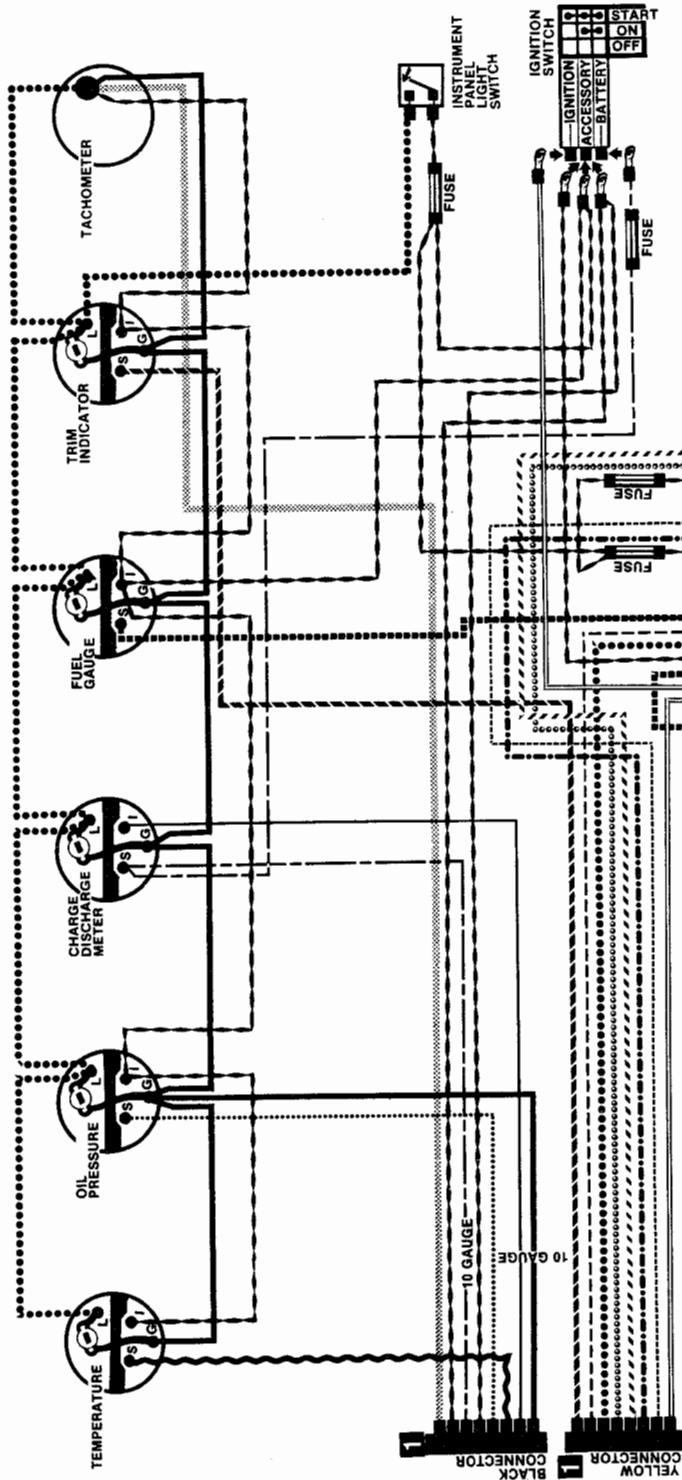
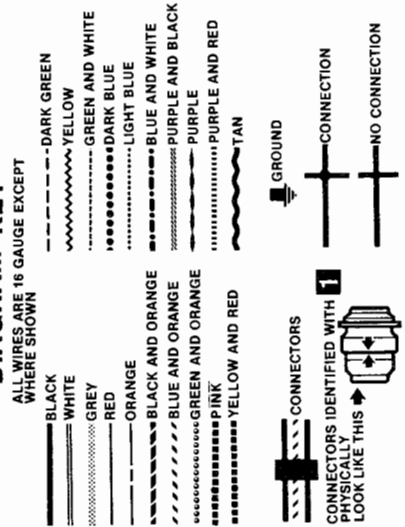
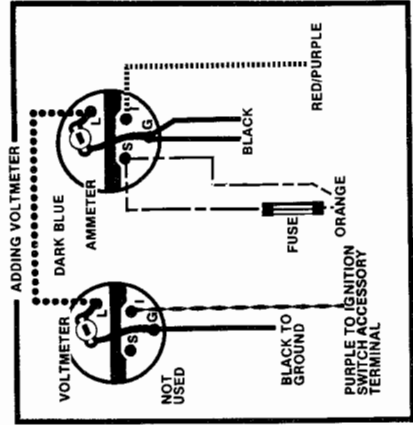
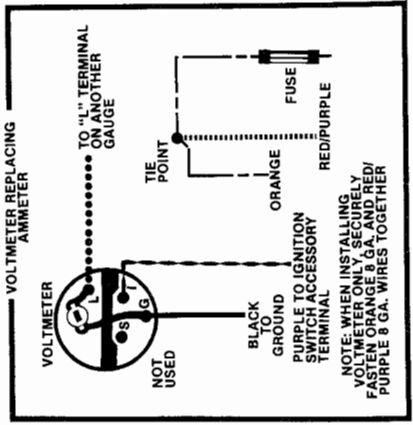


DIAGRAM KEY



TAPE PINK LEAD TO HARNESS



1977 SECOND STATION Y CONNECTOR

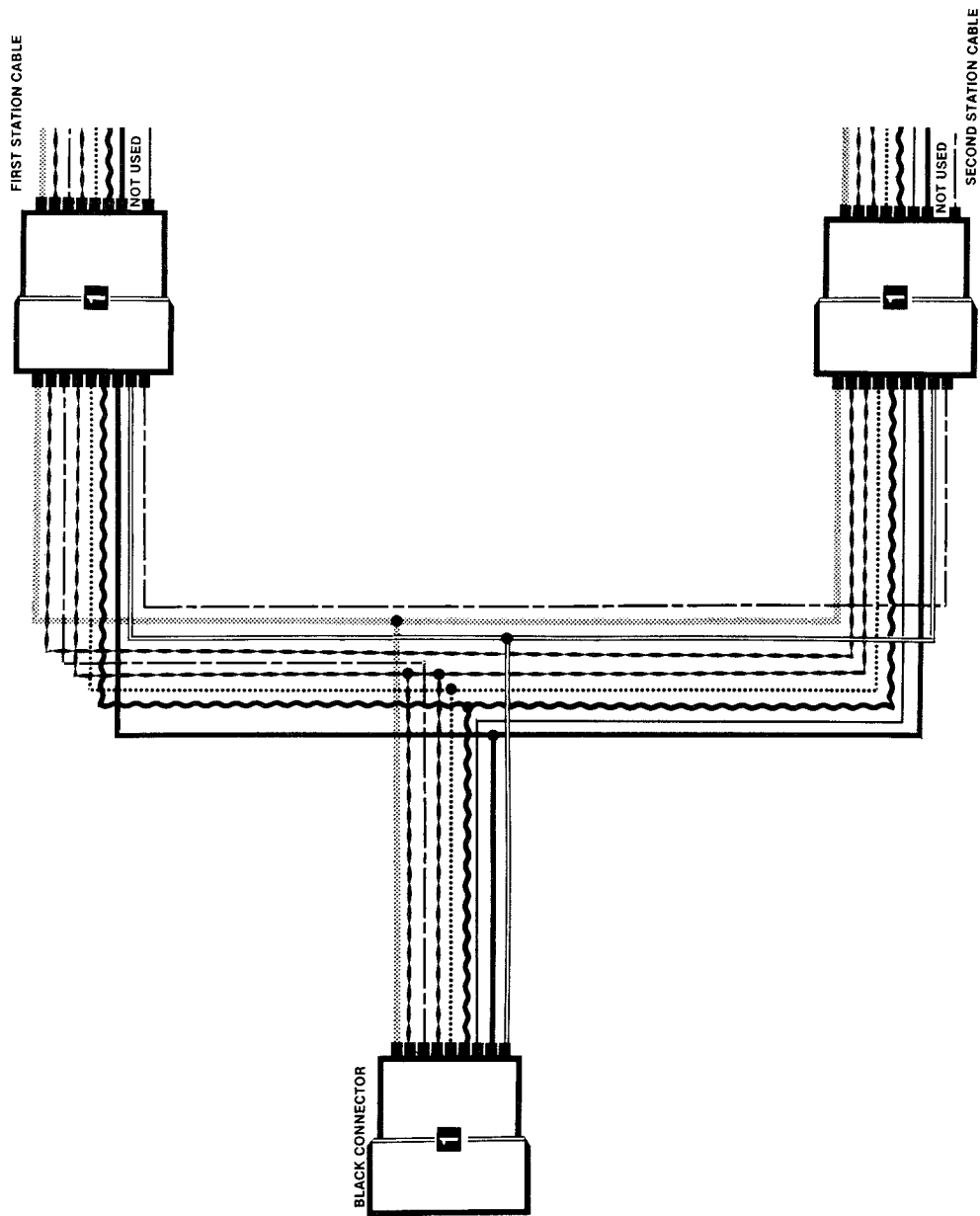
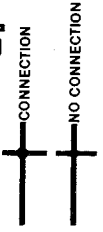


DIAGRAM KEY

- BLACK
- WHITE
- GREY
- RED
- ORANGE
- BLACK AND ORANGE
- BLUE AND ORANGE
- GREEN AND ORANGE
- YELLOW AND RED
- DARK GREEN
- YELLOW
- GREEN AND WHITE
- DARK BLUE
- LIGHT BLUE
- BLUE AND WHITE
- PURPLE AND BLACK
- PURPLE
- PURPLE AND RED
- TAN

CONNECTORS IDENTIFIED WITH  PHYSICALLY LOOK LIKE THIS 



1978 120/140 HP PRE-SET TRIM

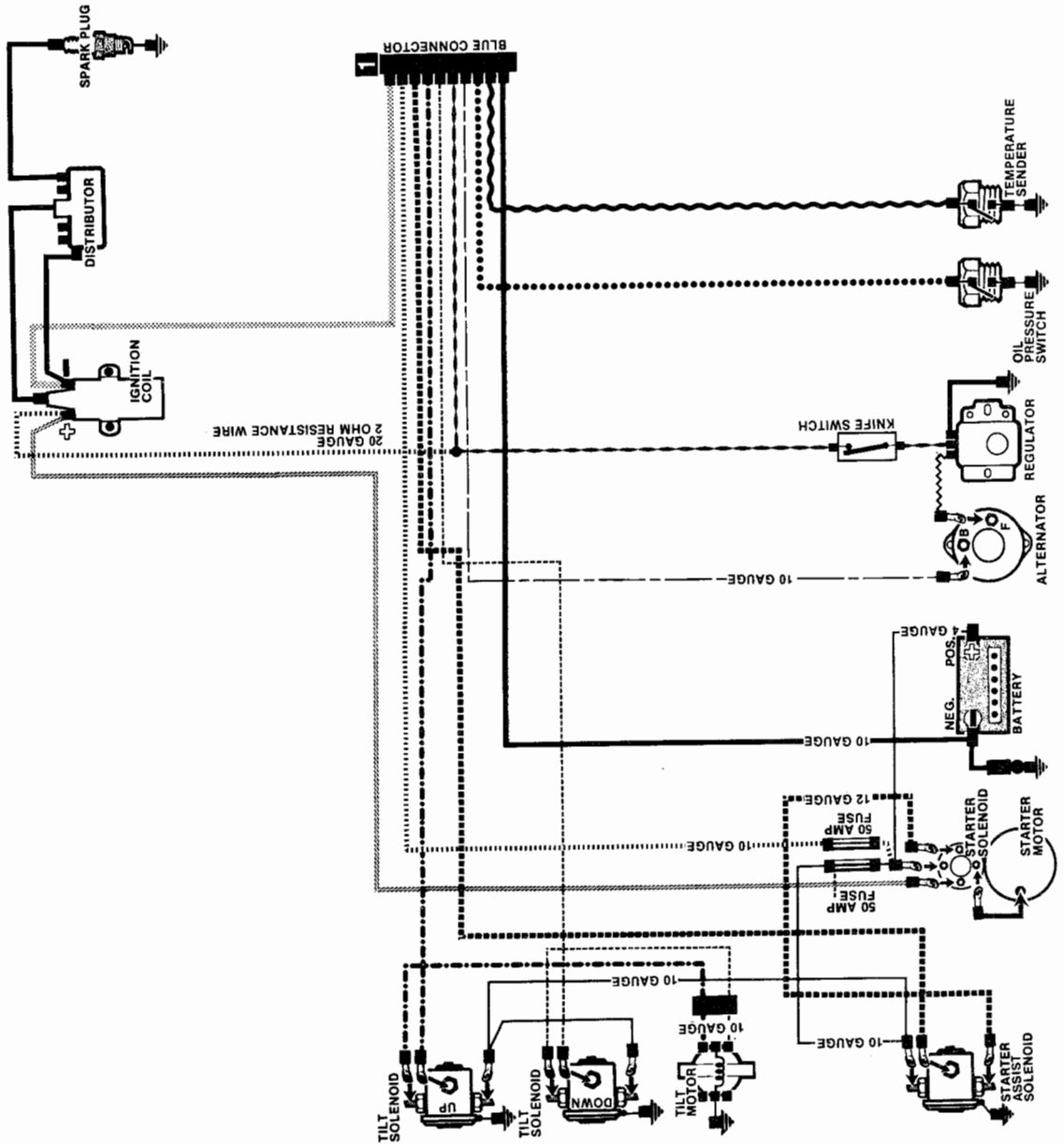


DIAGRAM KEY

ALL WIRES ARE 16 GAUGE EXCEPT WHERE SHOWN

- BLACK
- WHITE
- GREY
- RED
- ORANGE
- BLACK AND ORANGE
- BLUE AND ORANGE
- GREEN AND ORANGE
- YELLOW AND RED
- DARK GREEN
- YELLOW
- GREEN AND WHITE
- DARK BLUE
- LIGHT BLUE
- BLUE AND WHITE
- PURPLE AND BLACK
- PURPLE AND RED
- TAN

CONNECTORS IDENTIFIED WITH PHYSICALLY LOOK LIKE THIS



GROUND

CONNECTION

NO CONNECTION



1978 120/140 HP SELECTRIM

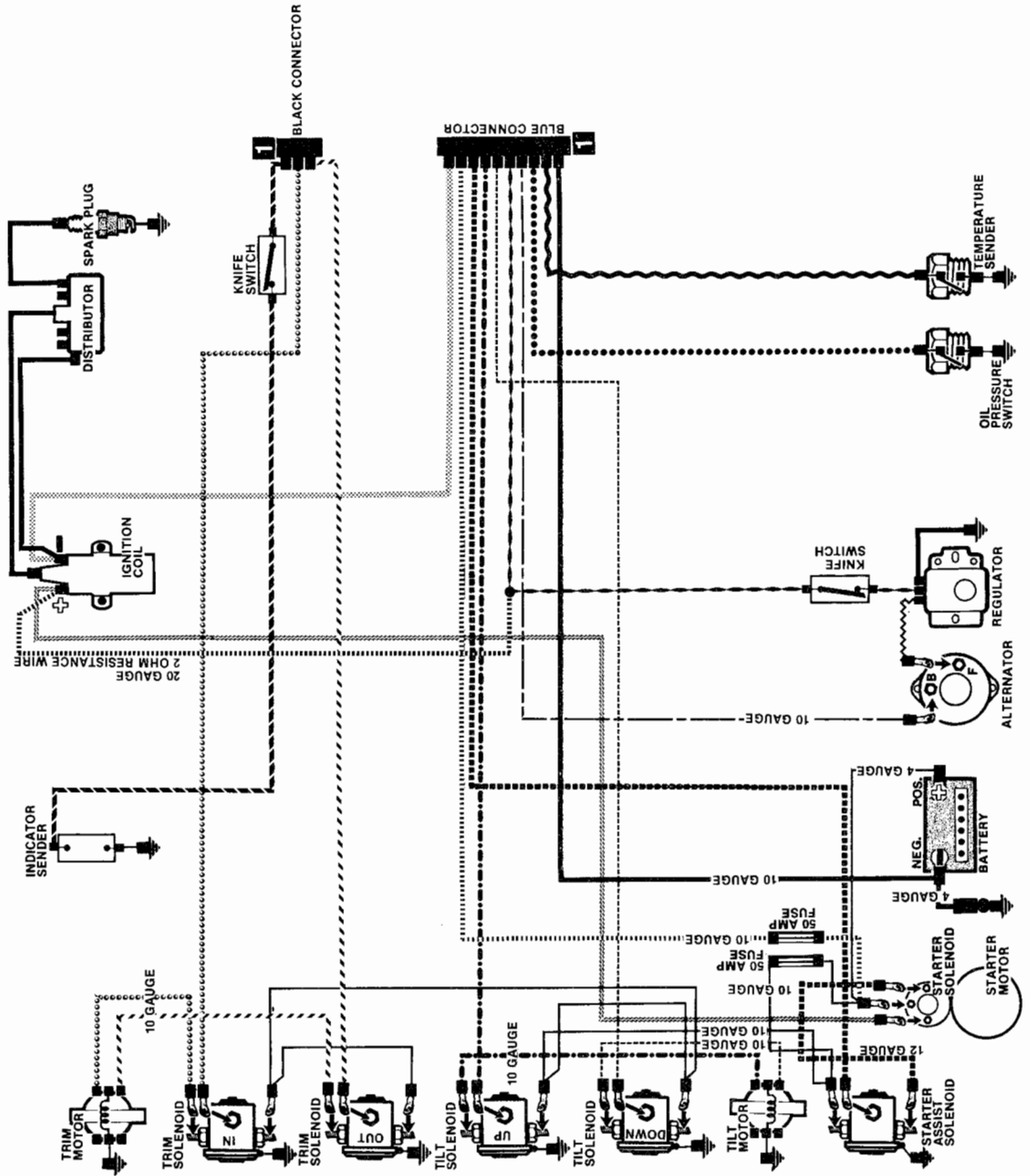


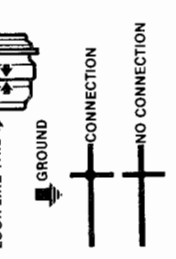
DIAGRAM KEY

ALL WIRES ARE 16 GAUGE EXCEPT WHERE SHOWN

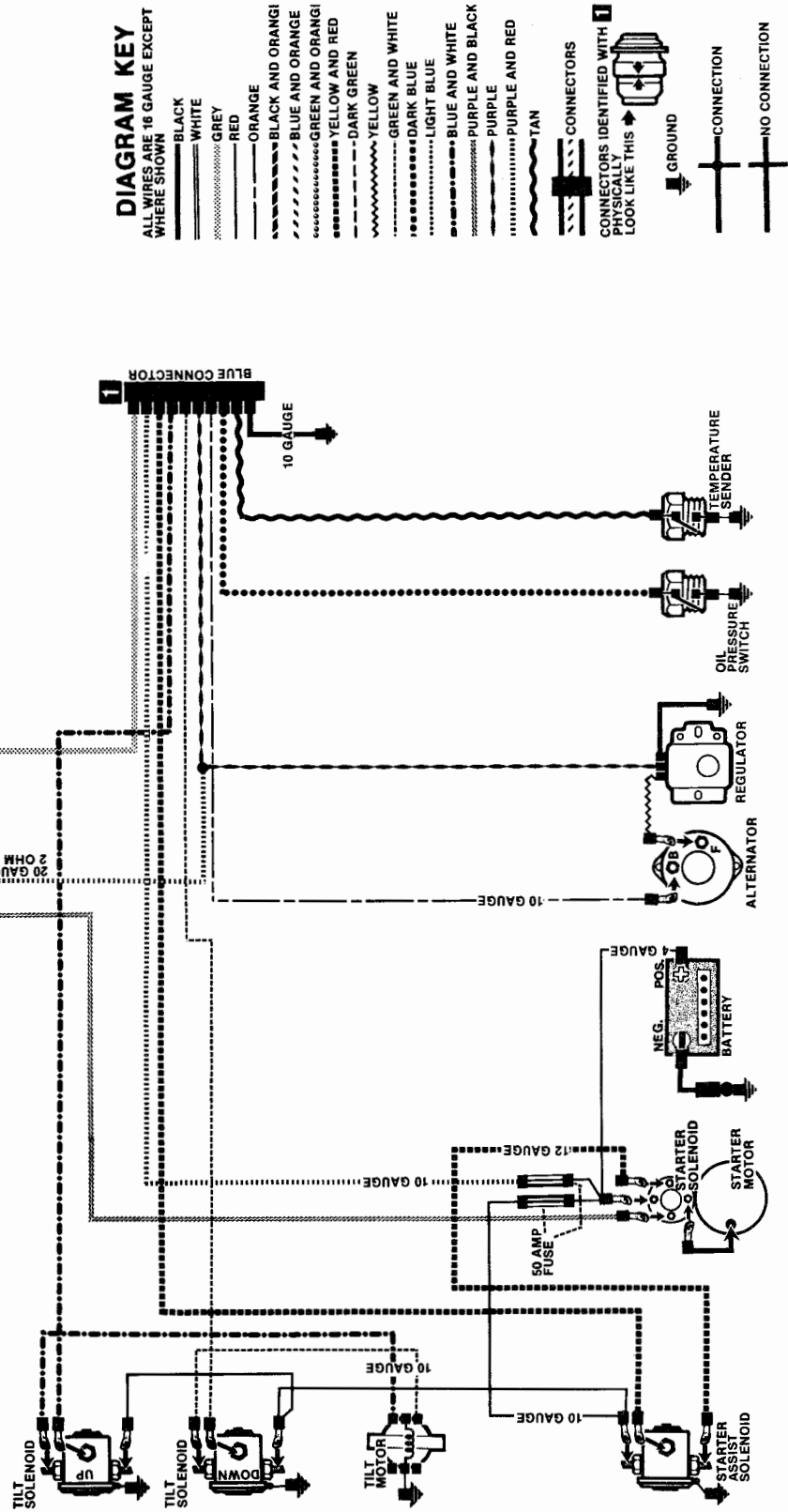
- BLACK
- WHITE
- GREY
- RED
- ORANGE
- BLACK AND ORANGE
- BLUE AND ORANGE
- GREEN AND ORANGE
- YELLOW AND RED
- DARK GREEN
- YELLOW
- GREEN AND WHITE
- DARK BLUE
- LIGHT BLUE
- BLUE AND WHITE
- PURPLE AND BLACK
- PURPLE AND RED
- TAN

CONNECTORS

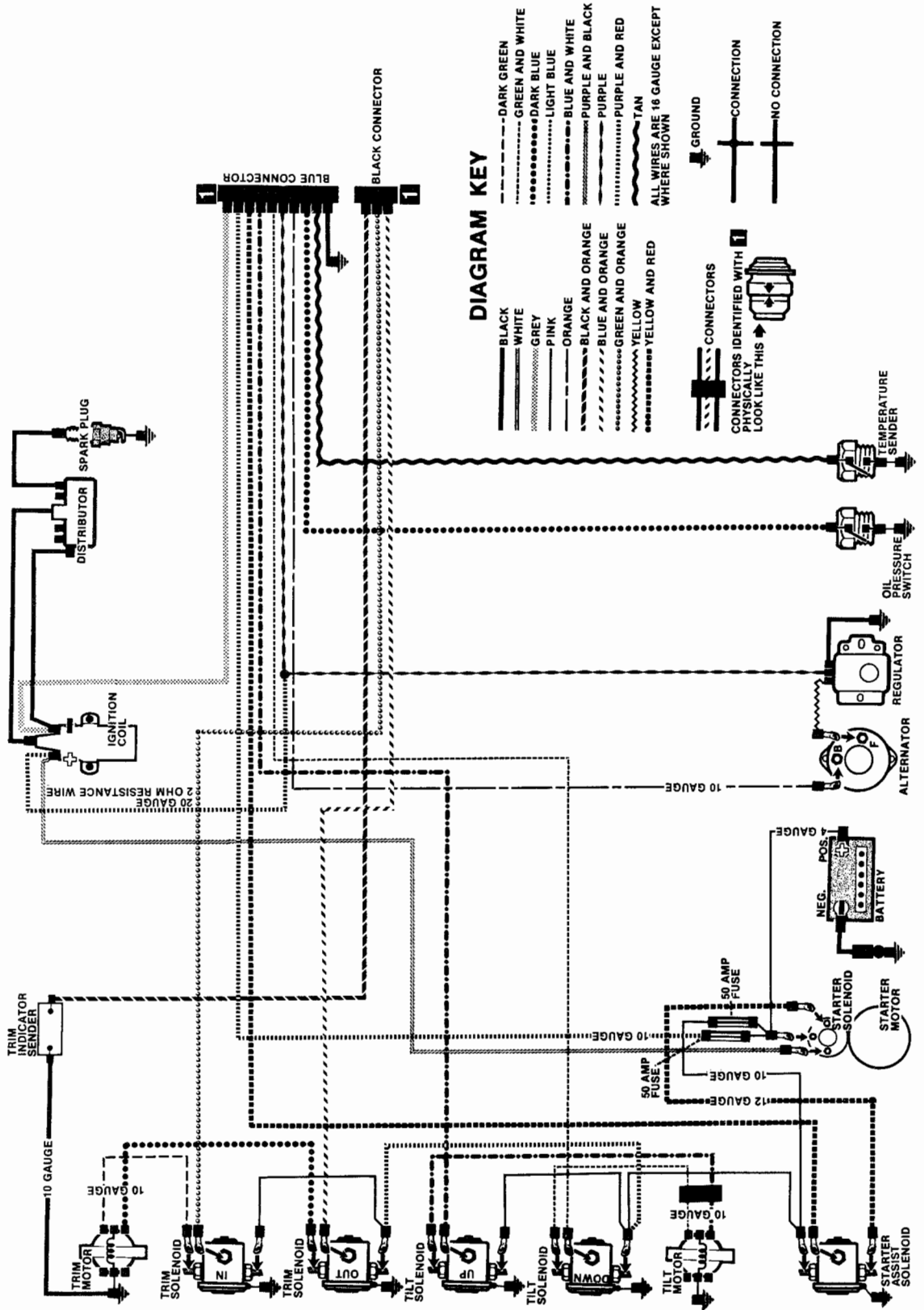
CONNECTORS IDENTIFIED WITH PHYSICALLY LOOK LIKE THIS



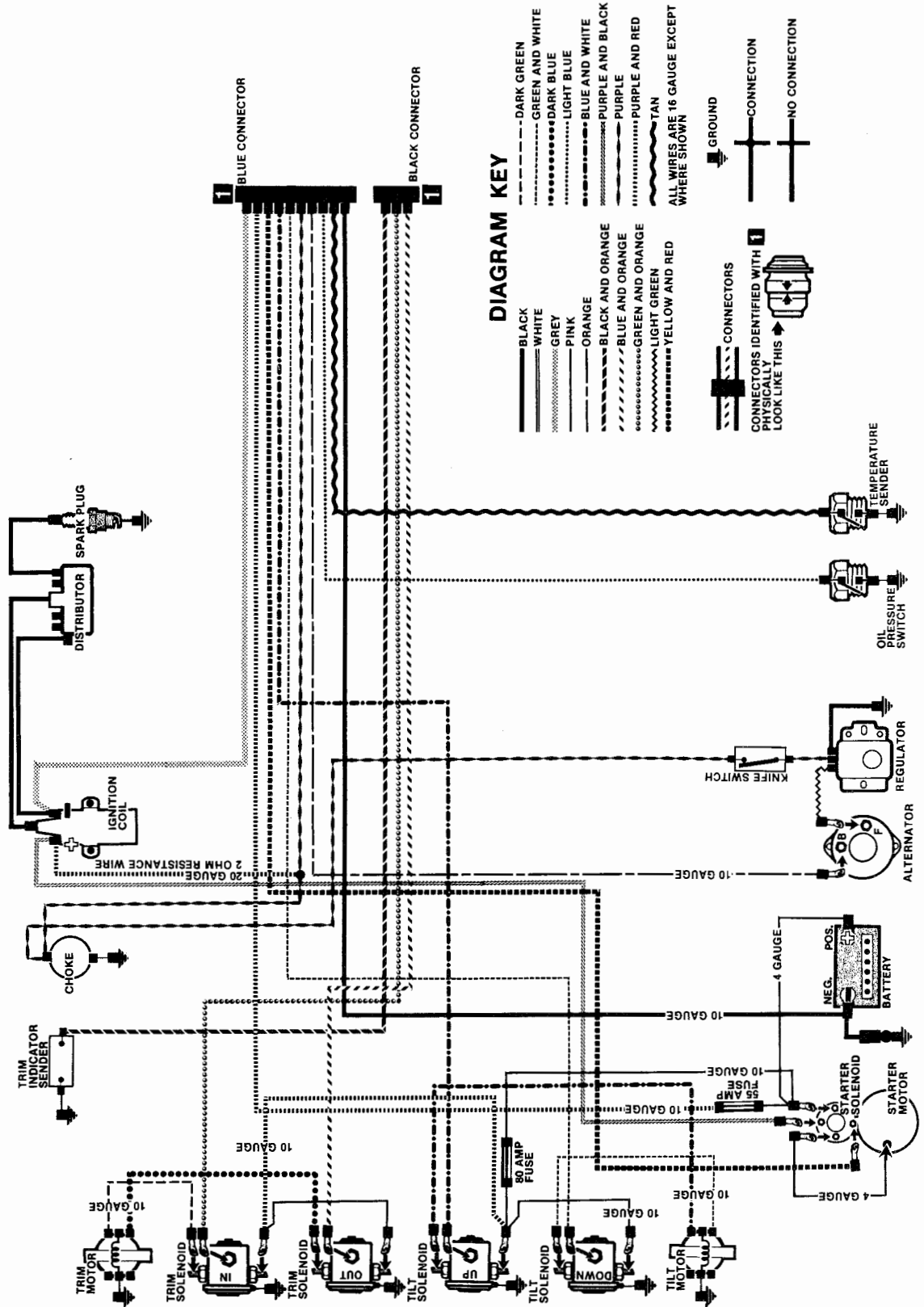
1978 185/200/230/260 HP PRE-SET TRIM



1978 185/200/230/260 HP SELECTRIM



1978 250 HP SELECTRIM



1978 INSTRUMENTS

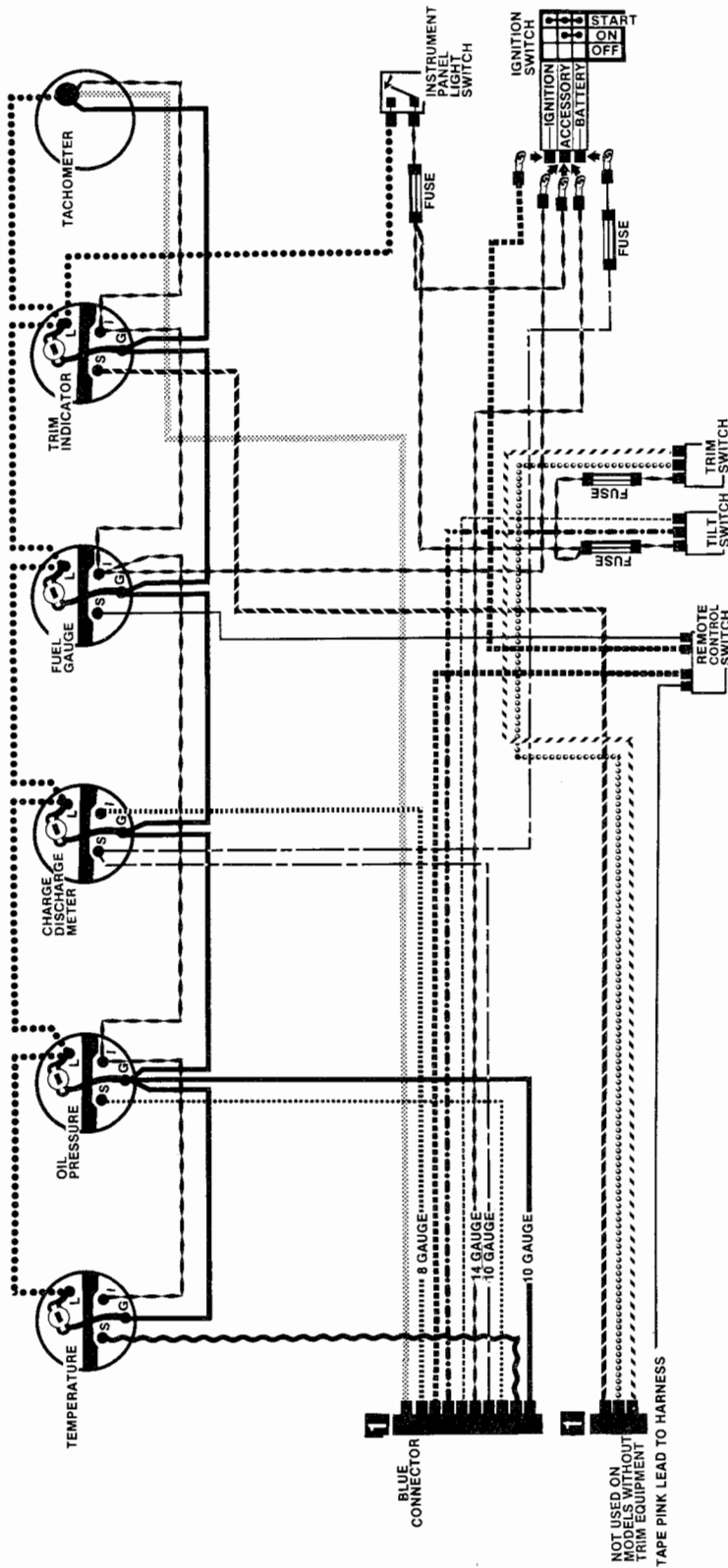
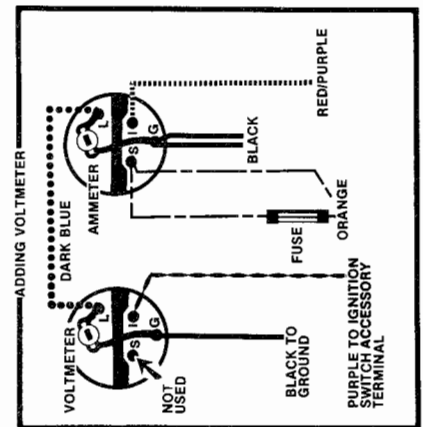
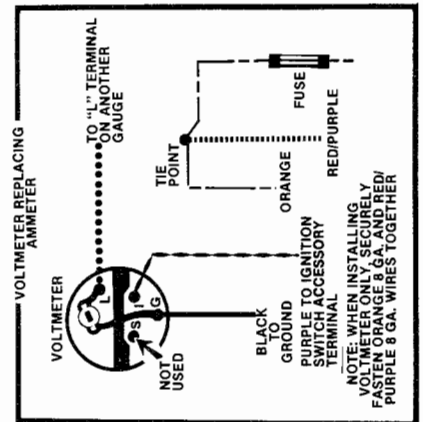
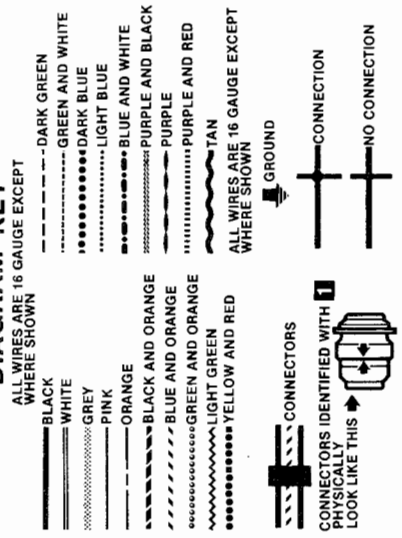


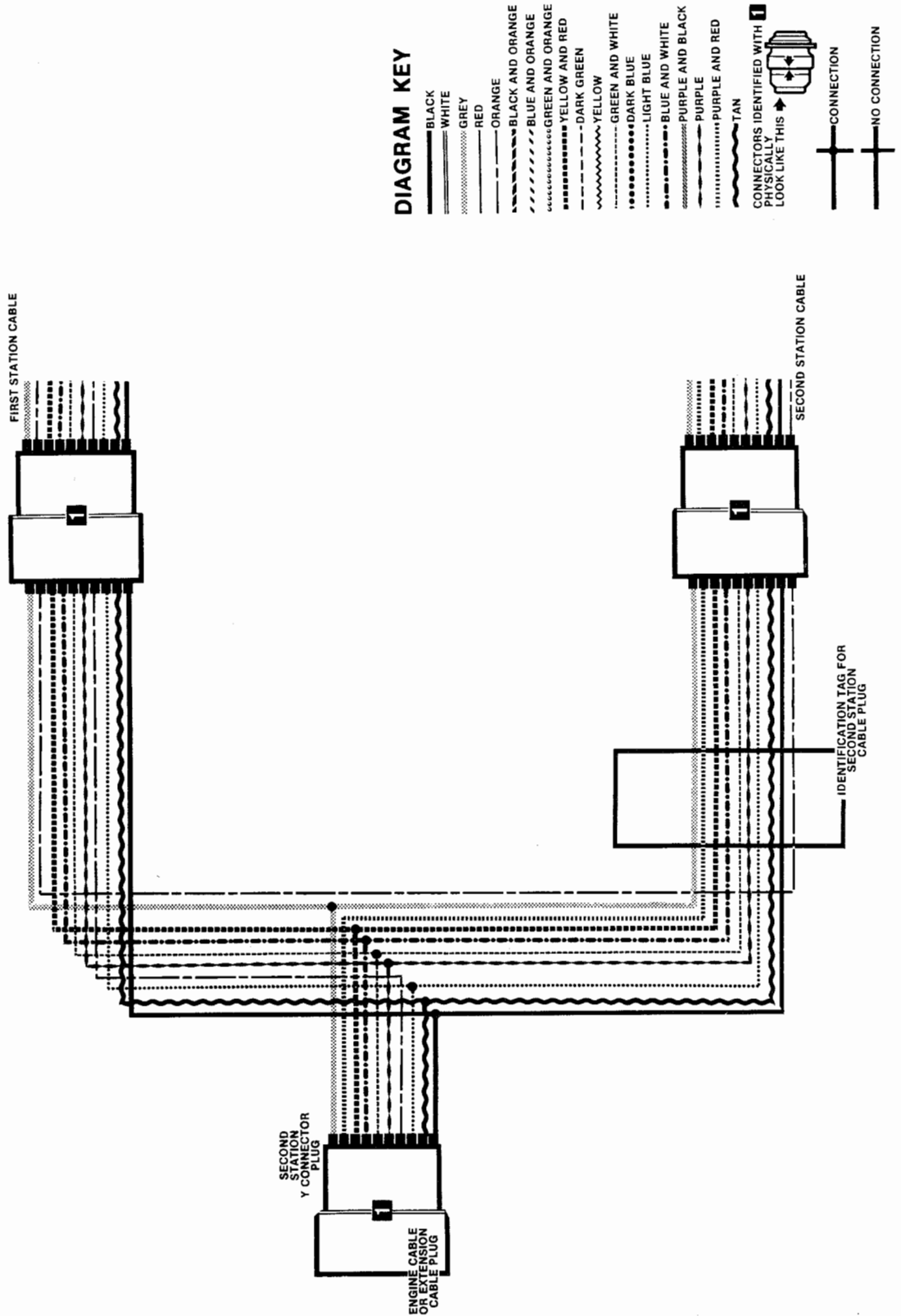
DIAGRAM KEY



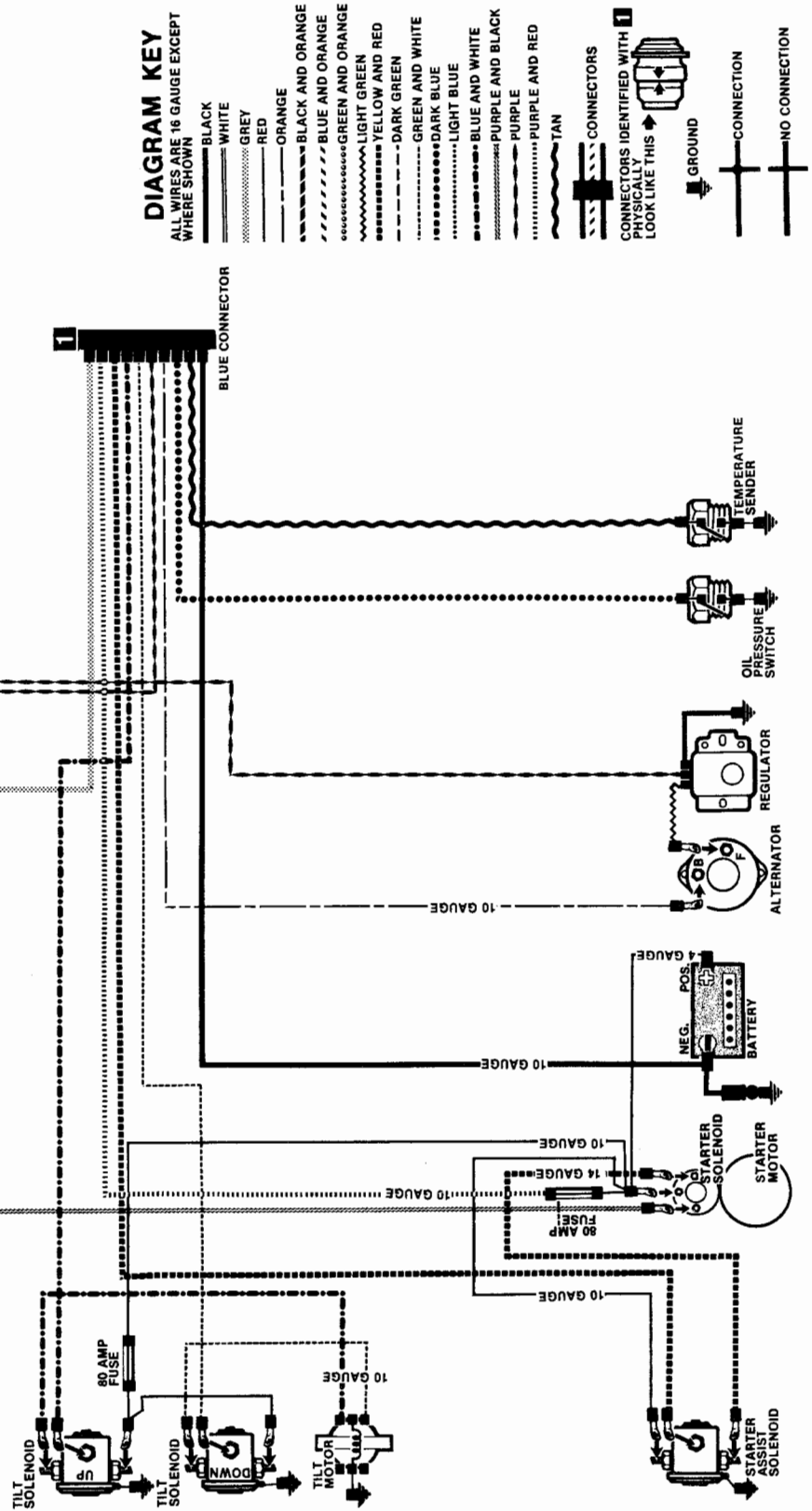
NOT USED ON MODELS WITHOUT TRIM EQUIPMENT

TAPE PINK LEAD TO HARNESS

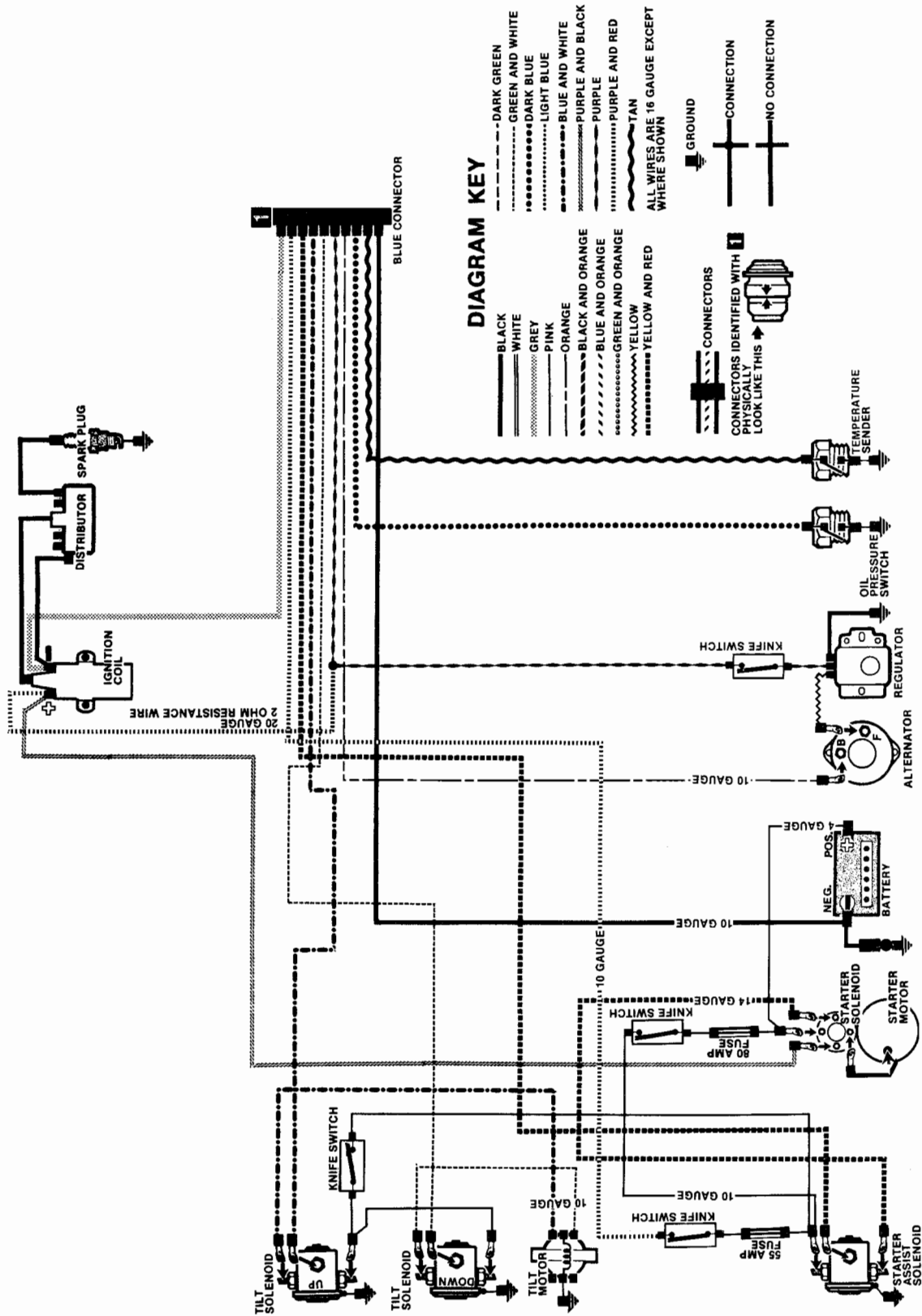
1978 SECOND STATION Y CONNECTOR



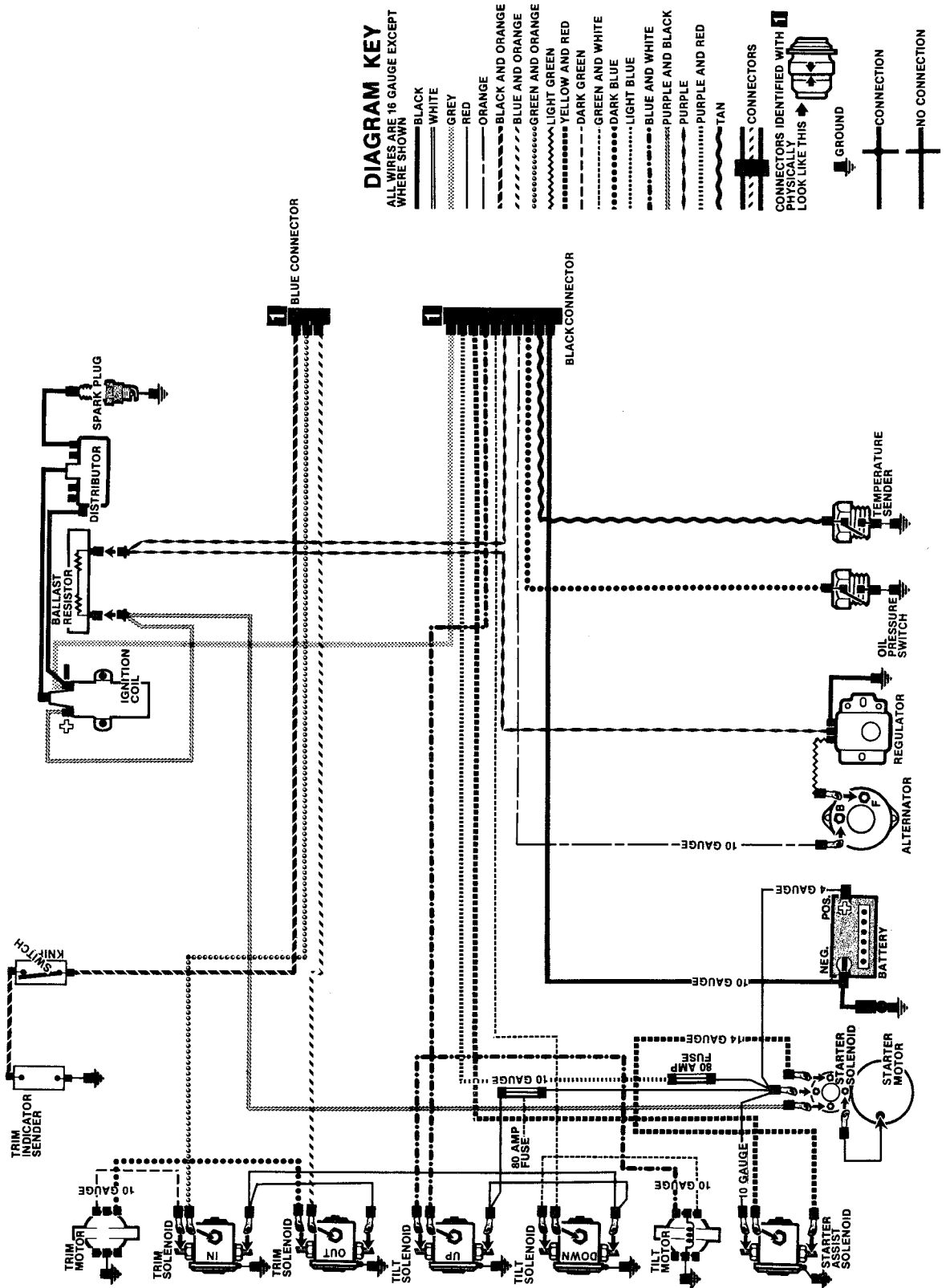
1979 120/140 HP PRE-SET TRIM MODEL D



1979 120/140 HP PRE-SET TRIM MODELS H & H1



1979 120/140 HP SELECTRIM MODEL D



1979 120/140 HP SELECTRIM MODELS H & H1

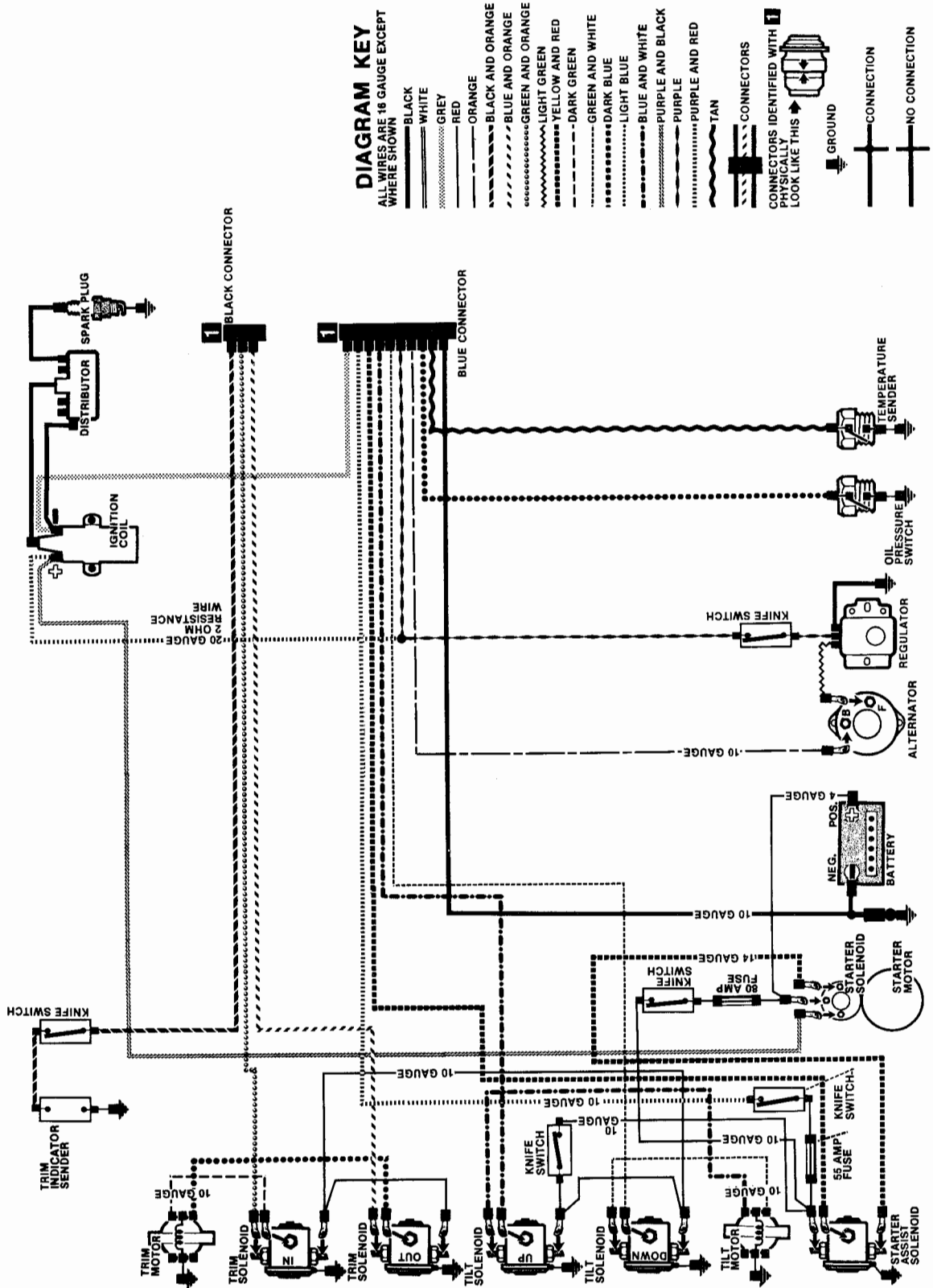
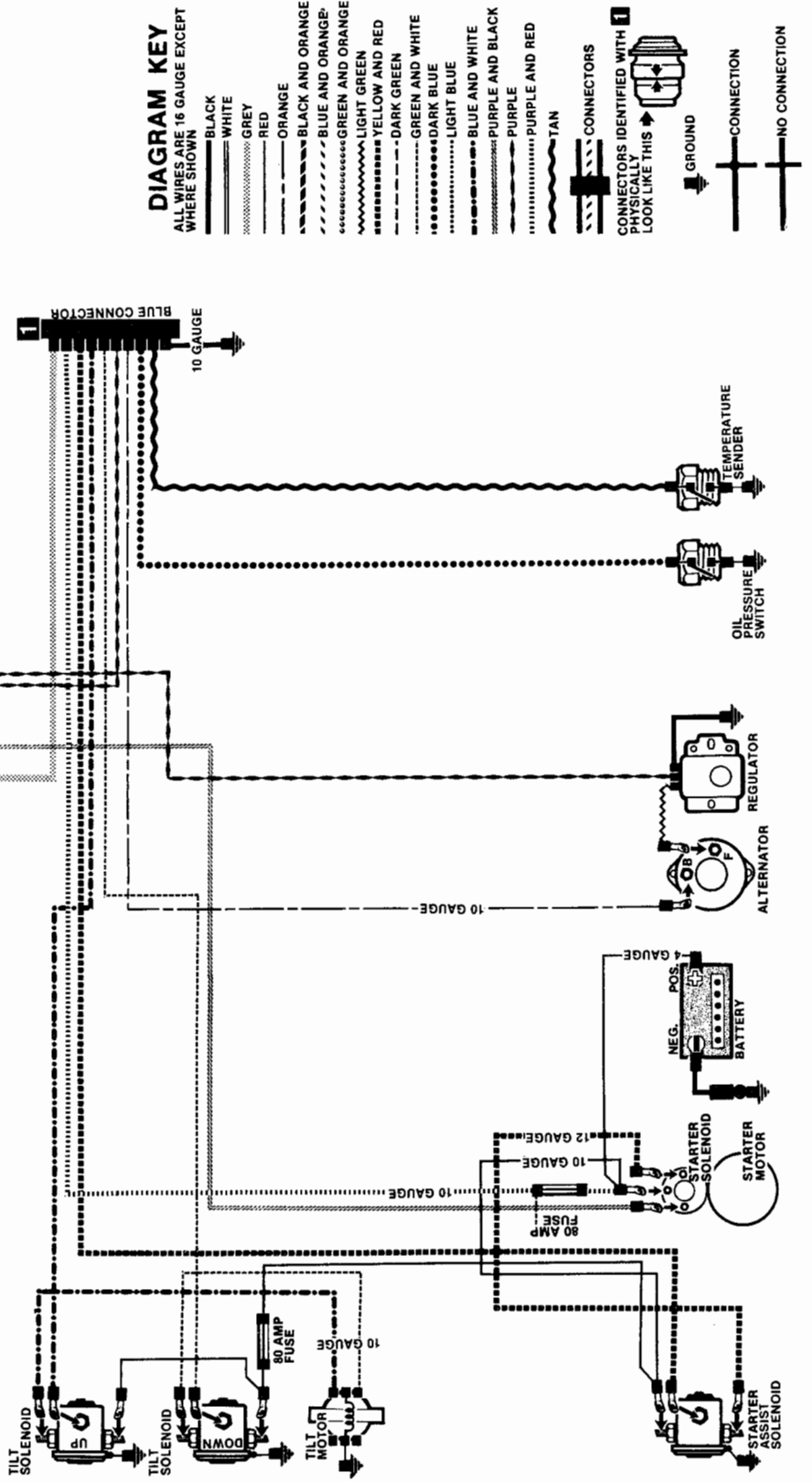


DIAGRAM KEY

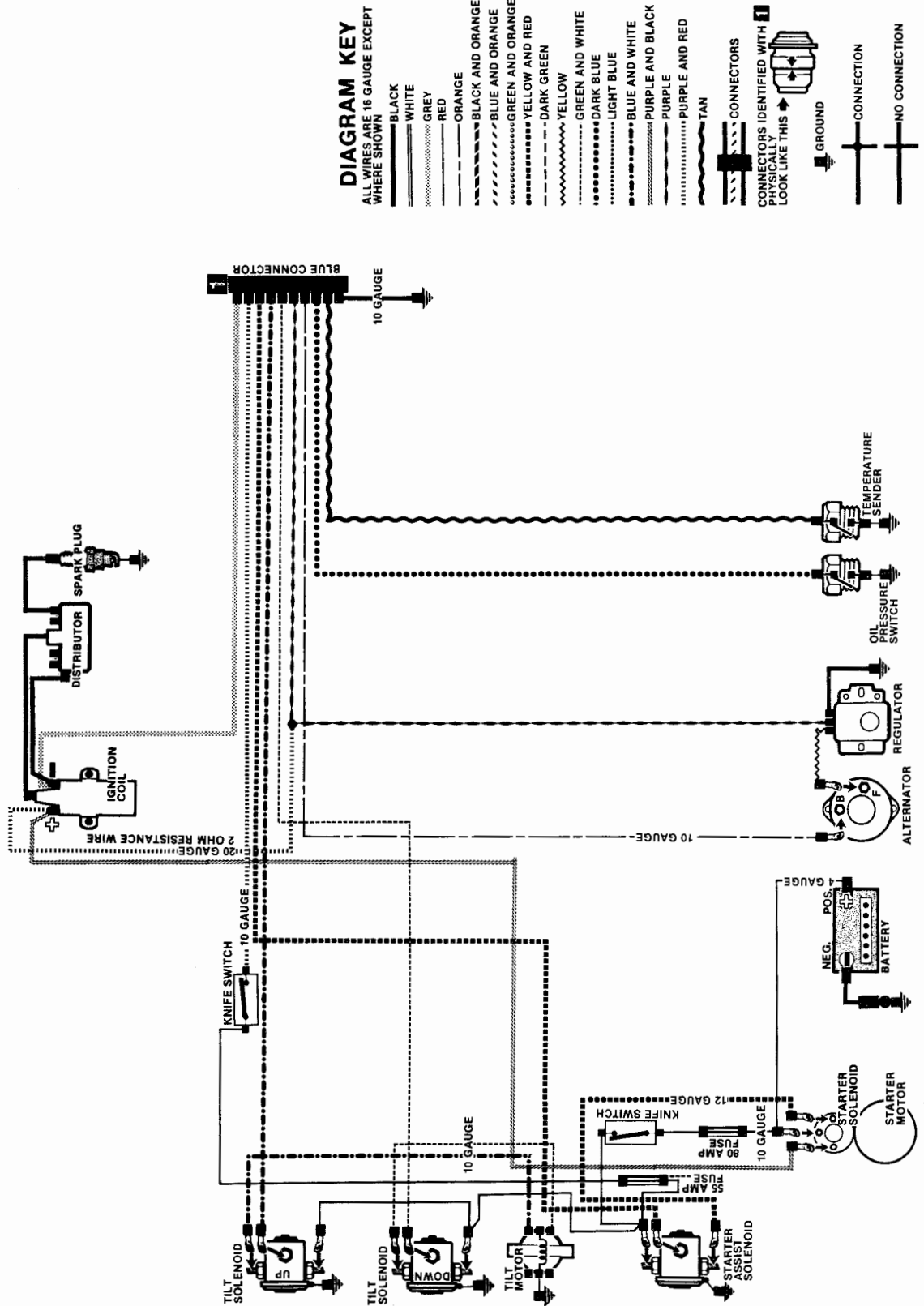
ALL WIRES ARE 18 GAUGE EXCEPT WHERE SHOWN

- BLACK
 - WHITE
 - GREY
 - RED
 - ORANGE
 - BLACK AND ORANGE
 - BLUE AND ORANGE
 - GREEN AND ORANGE
 - LIGHT GREEN
 - YELLOW AND RED
 - DARK GREEN
 - GREEN AND WHITE
 - DARK BLUE
 - LIGHT BLUE
 - BLUE AND WHITE
 - PURPLE AND BLACK
 - PURPLE
 - PURPLE AND RED
 - TAN
- CONNECTORS
- CONNECTORS IDENTIFIED WITH PHYSICALLY LOOK LIKE THIS
- GROUND
- CONNECTION
- NO CONNECTION

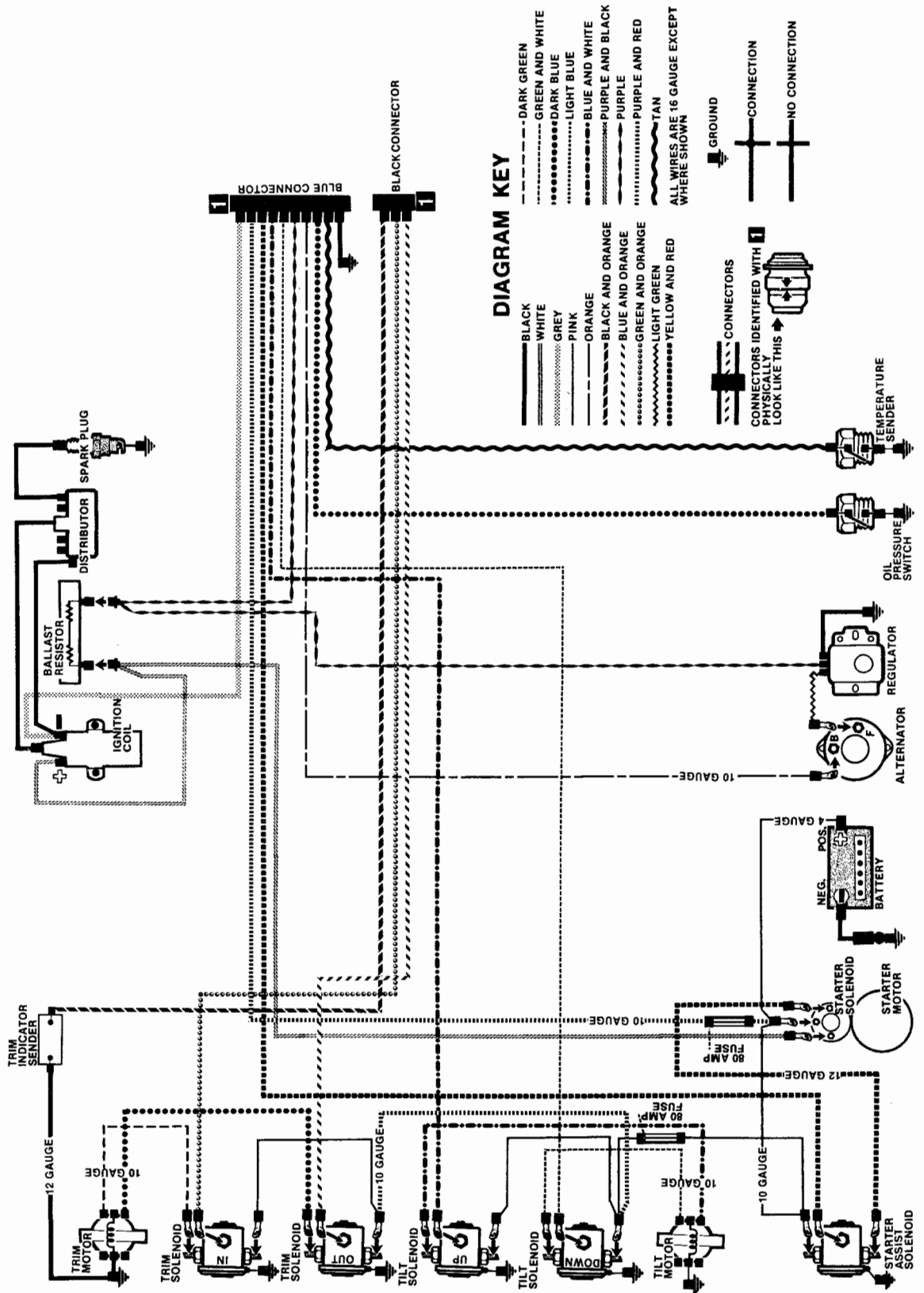
1979 185/225 HP PRE-SET TRIM MODEL D



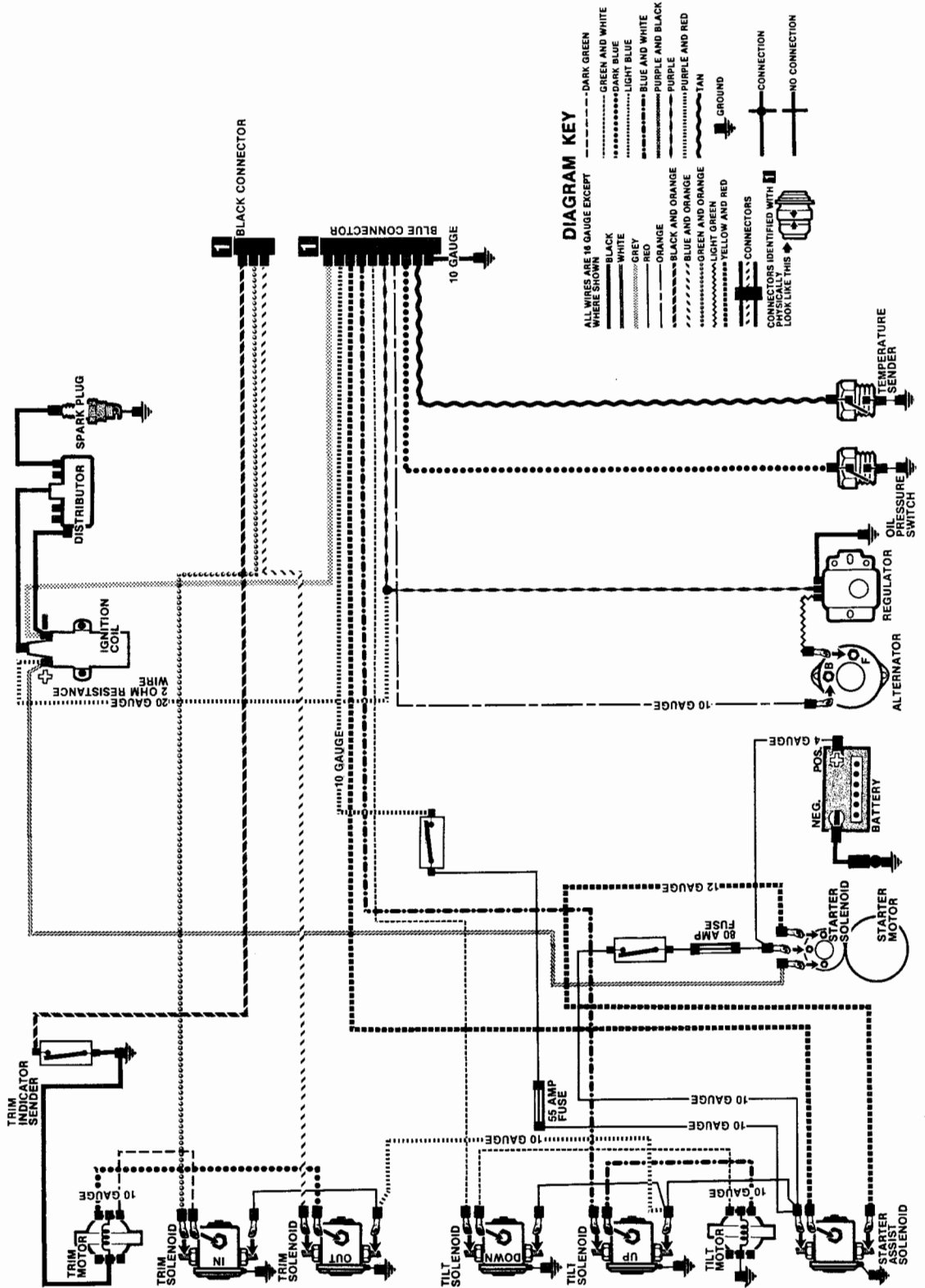
1979 185/225 HP PRE-SET TRIM MODELS H & H1



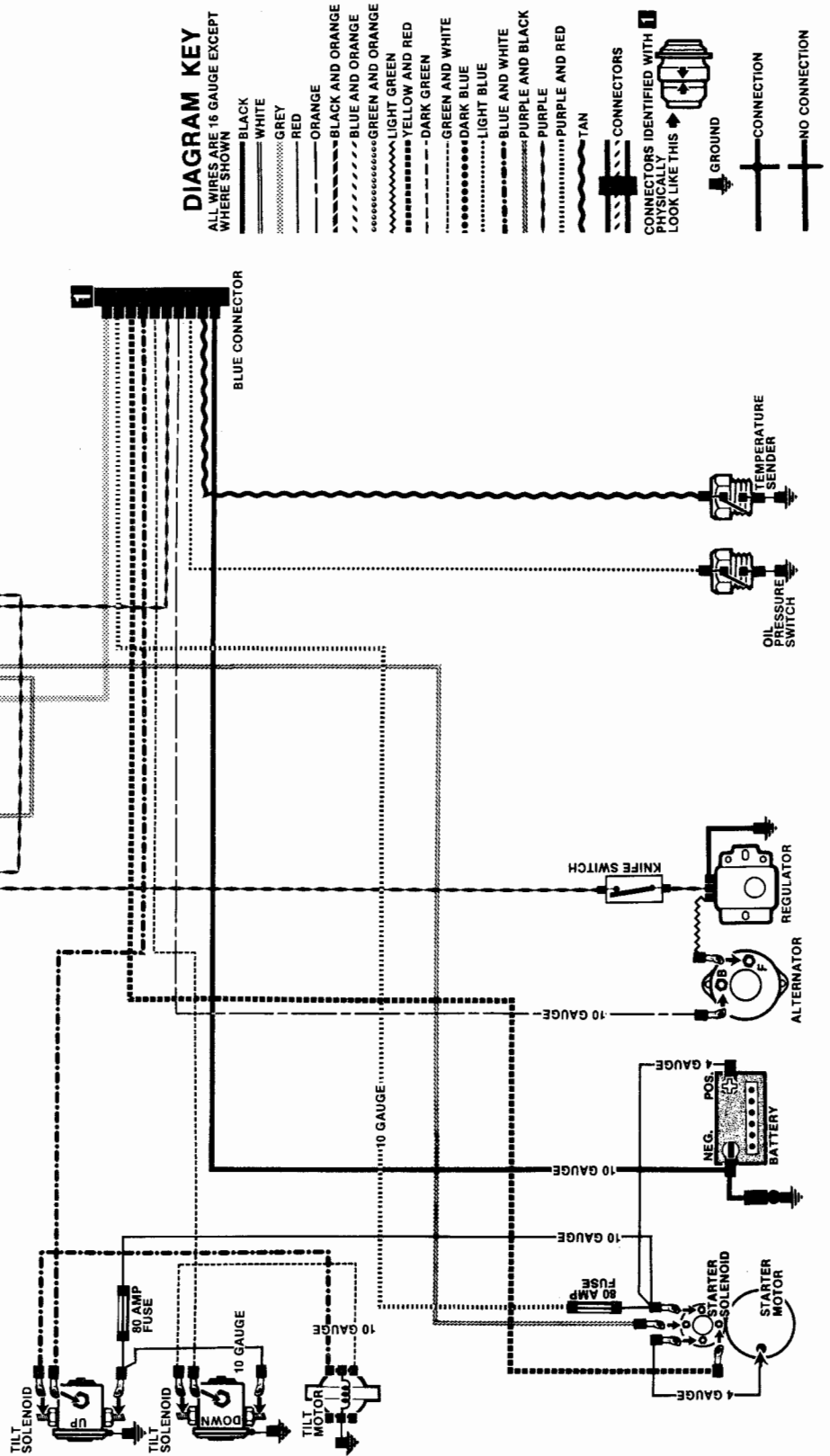
1979 185/225 HP SELECTRIM MODEL D



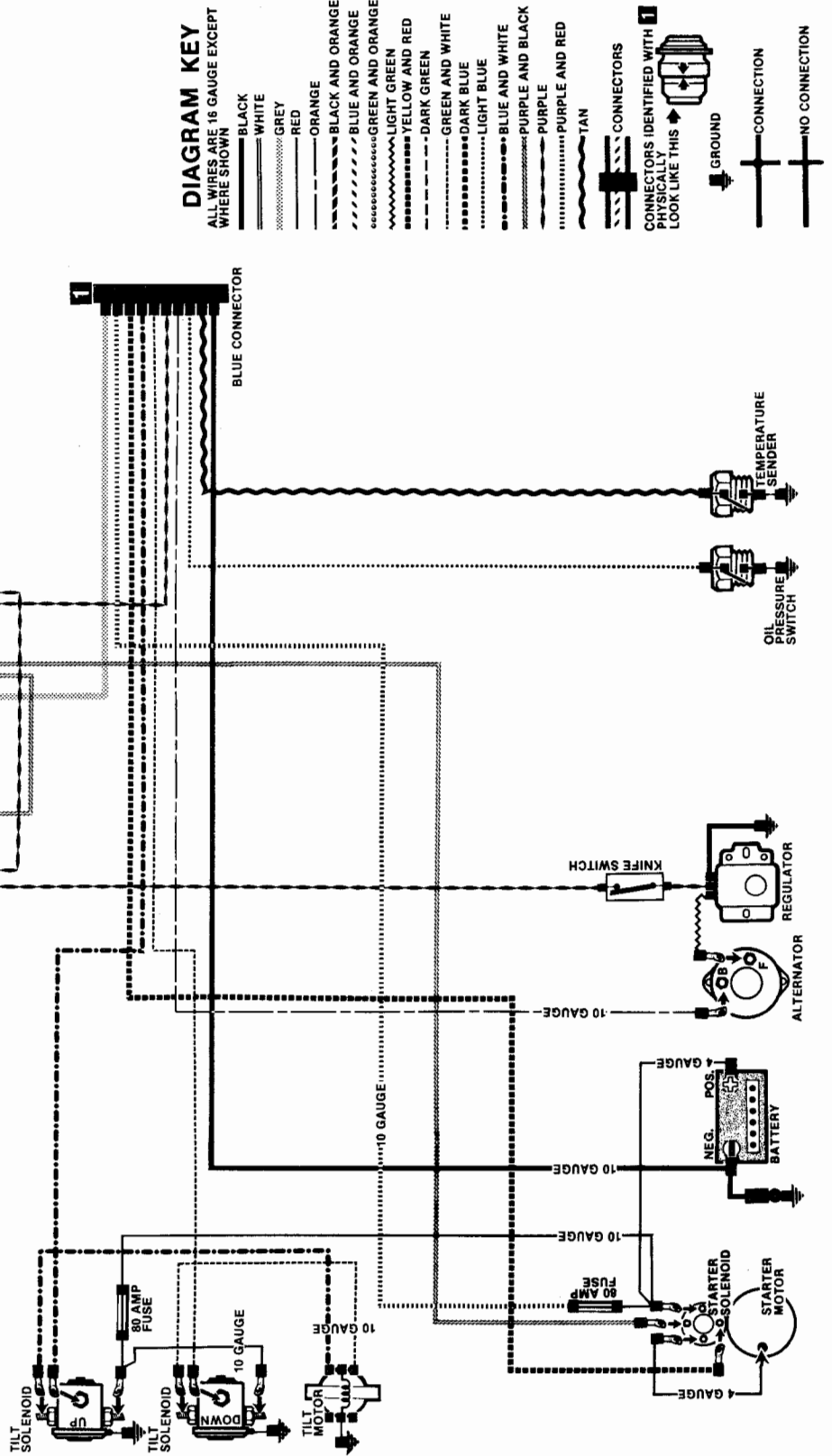
1979 185/225 HP SELECTRIM MODELS H & J



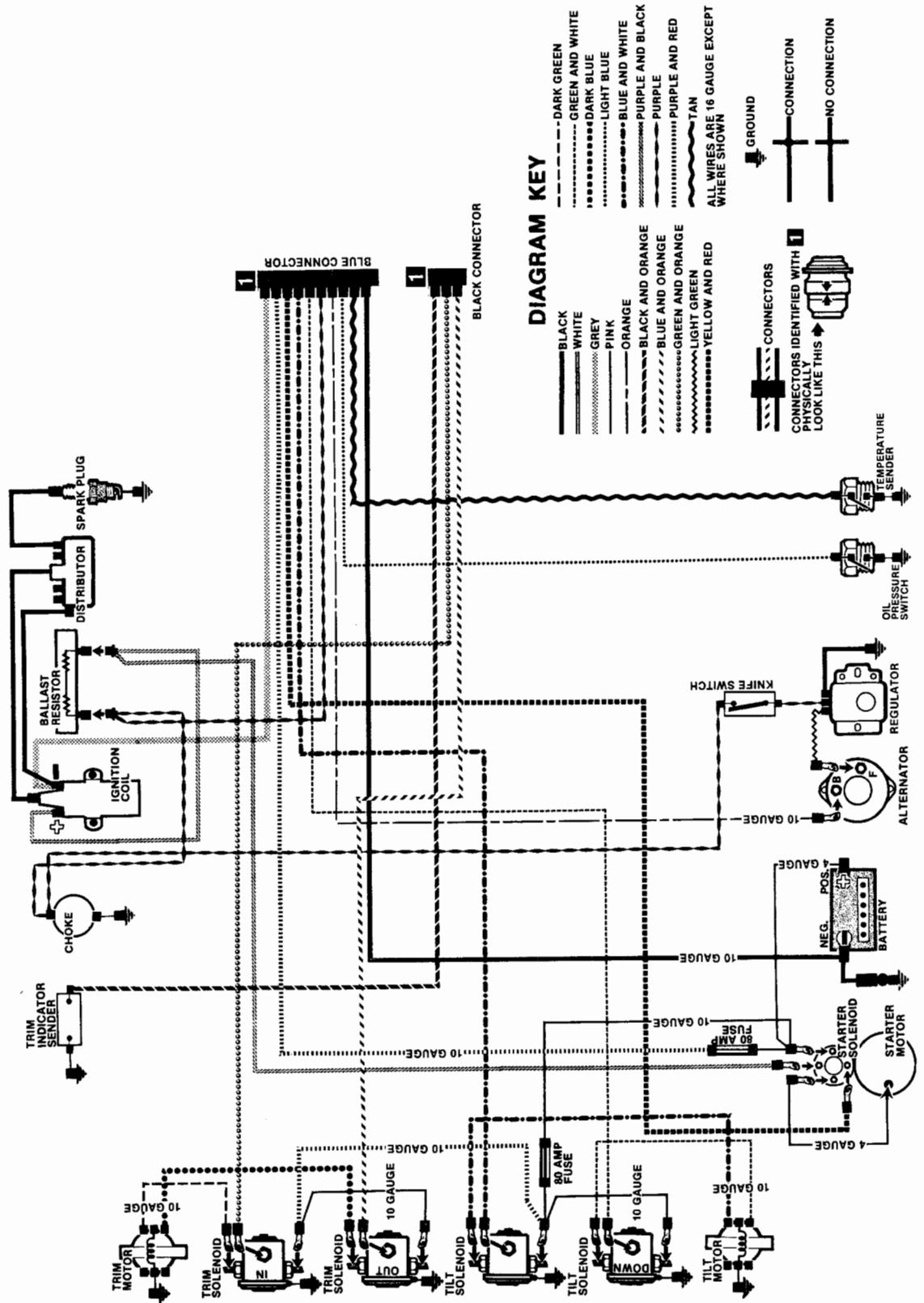
1979 240 HP PRE-SET TRIM MODEL D



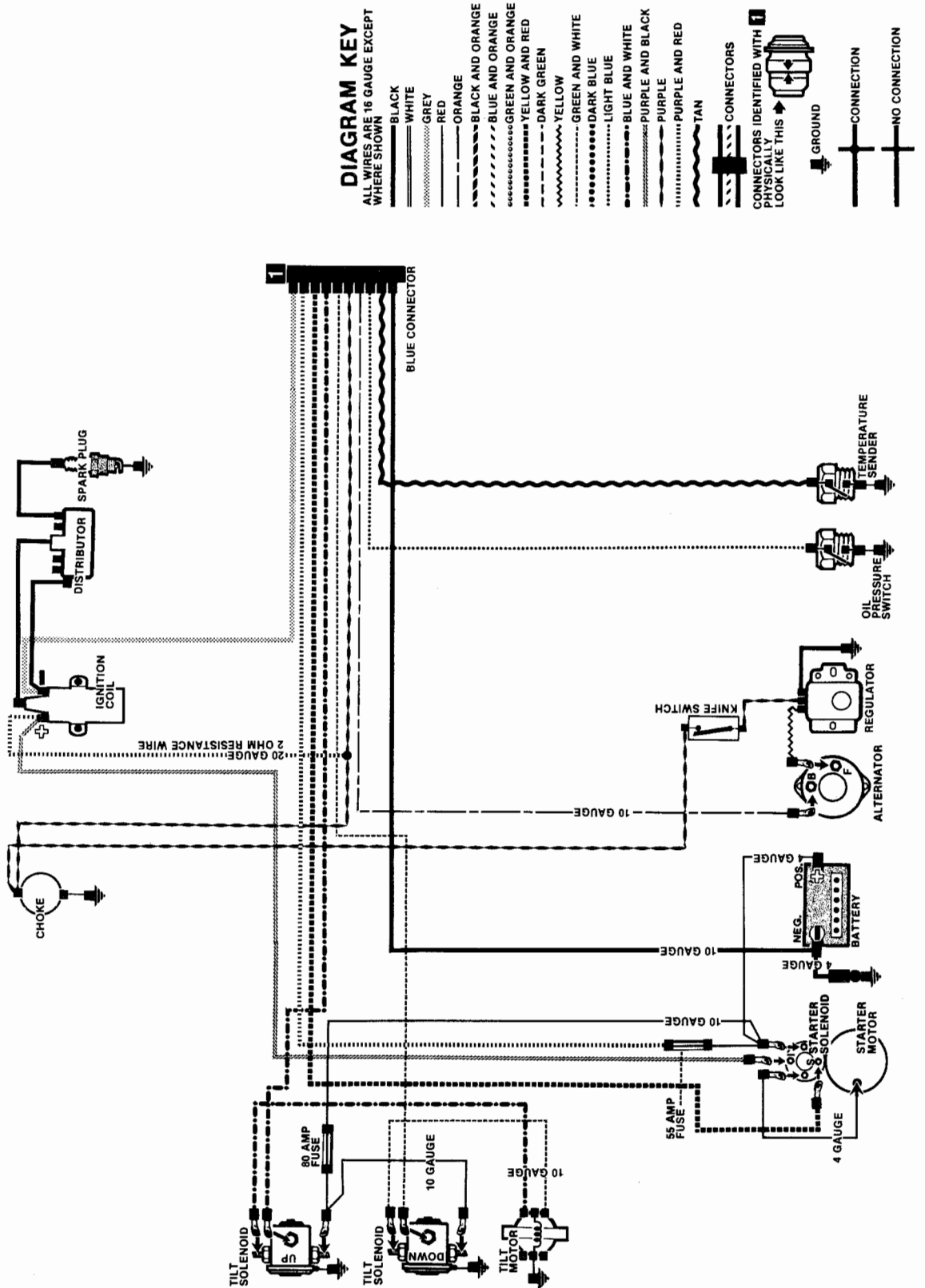
1979 240 HP PRE-SET TRIM MODEL D



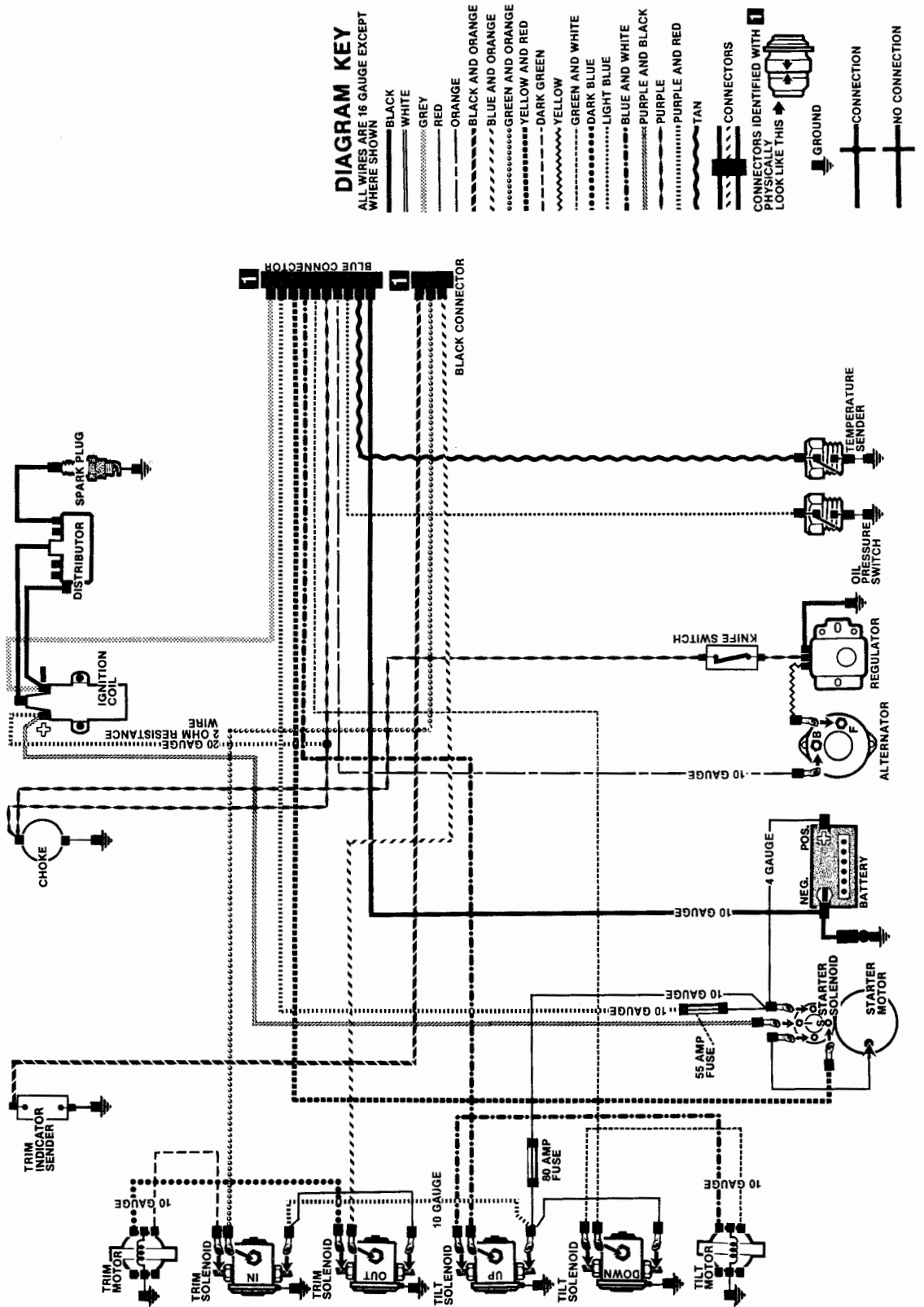
1979 240 HP SELECTRIM MODEL D



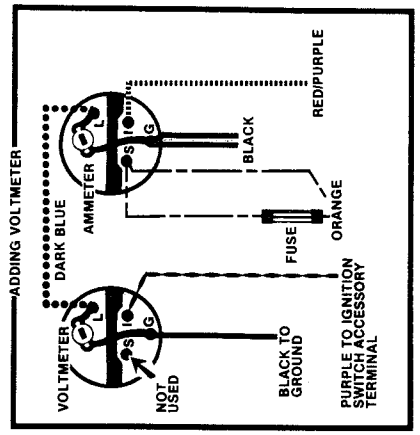
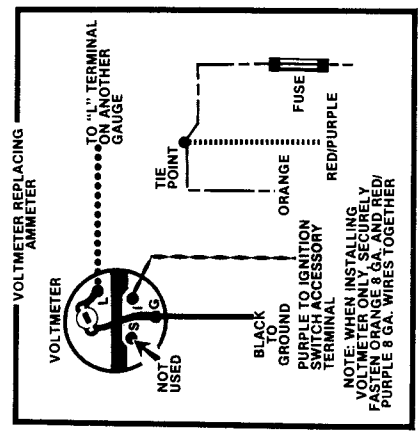
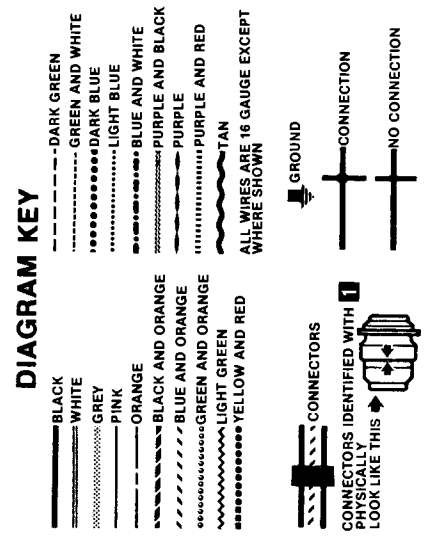
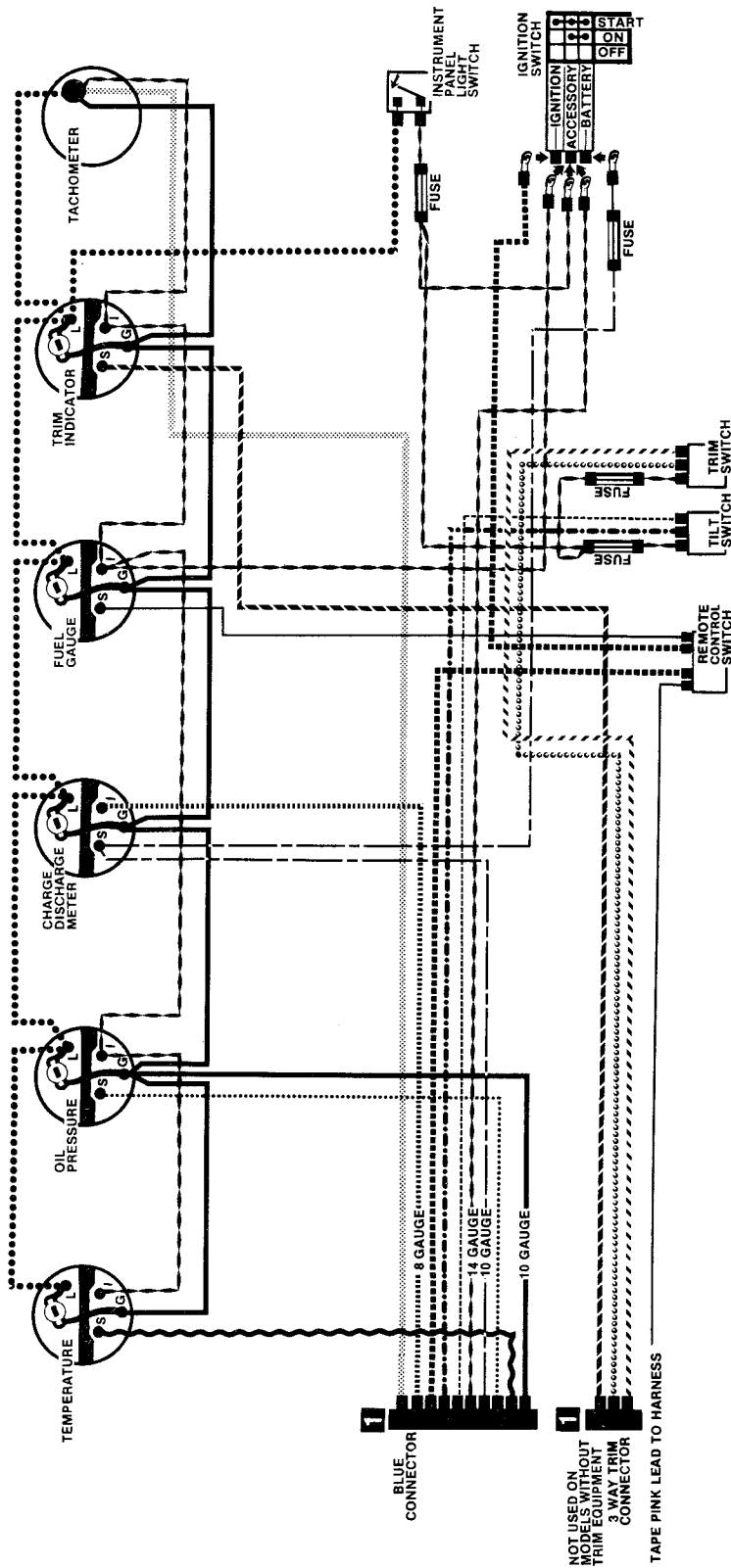
1979 240 HP PRE-SET TRIM MODELS H & J



1979 240 HP SELECTRIM MODELS H & J



1979-ON INSTRUMENTS



BLUE CONNECTOR

NOT USED ON MODELS WITHOUT TRIM EQUIPMENT

3-WAY TRIM CONNECTOR

TAPE PINK LEAD TO HARNESS

1979 SECOND STATION Y CONNECTOR

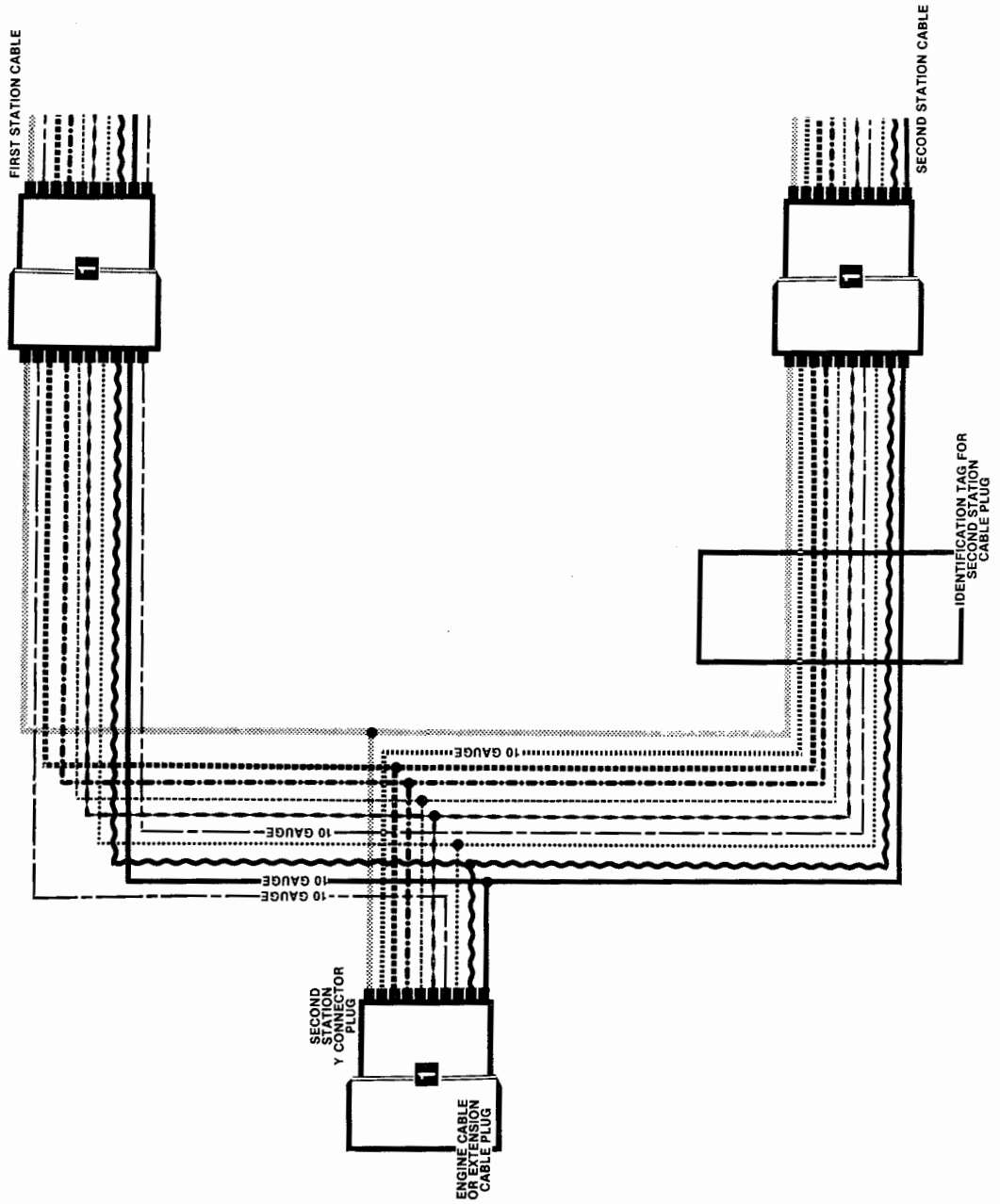


DIAGRAM KEY

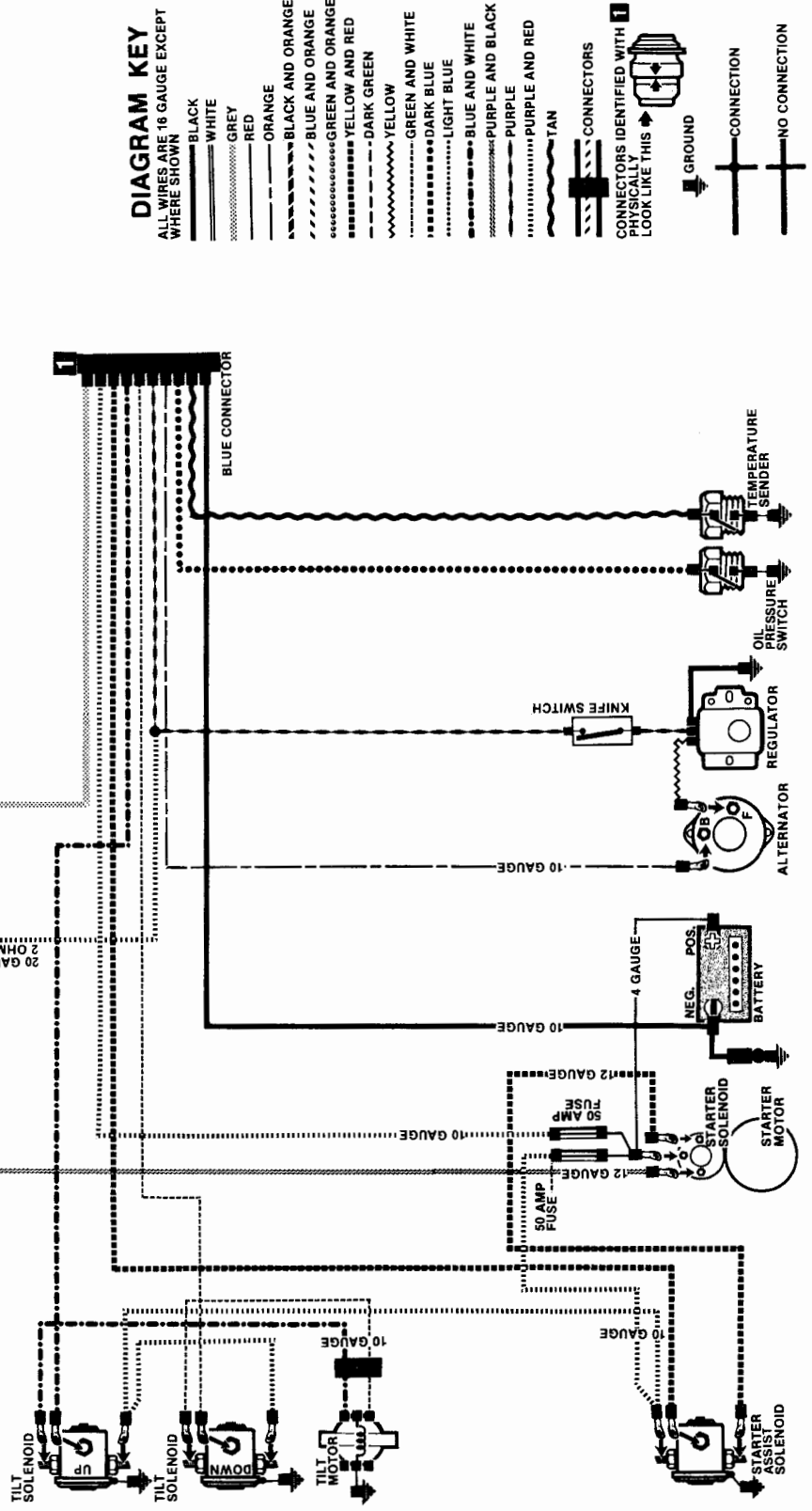
- BLACK
- WHITE
- GREY
- RED
- ORANGE
- BLACK AND ORANGE
- BLUE AND ORANGE
- GREEN AND ORANGE
- YELLOW AND RED
- DARK GREEN
- YELLOW
- GREEN AND WHITE
- DARK BLUE
- LIGHT BLUE
- BLUE AND WHITE
- PURPLE AND BLACK
- PURPLE
- PURPLE AND RED
- TAN

CONNECTORS IDENTIFIED WITH THIS SYMBOL SHOULD BE IDENTIFIED BY LOOKING AT THE PHYSICAL TAG ON THIS

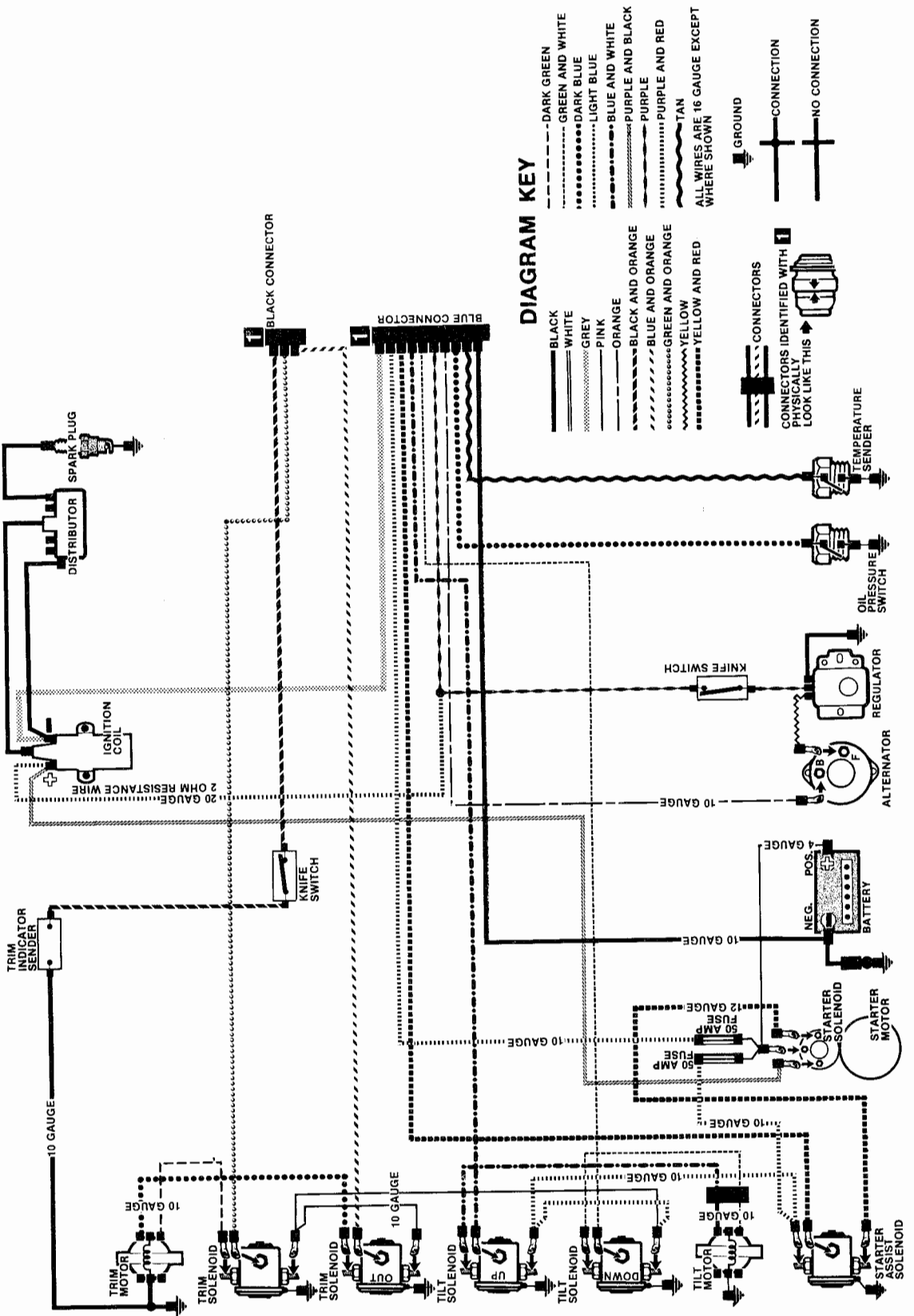


- CONNECTION
- NO CONNECTION

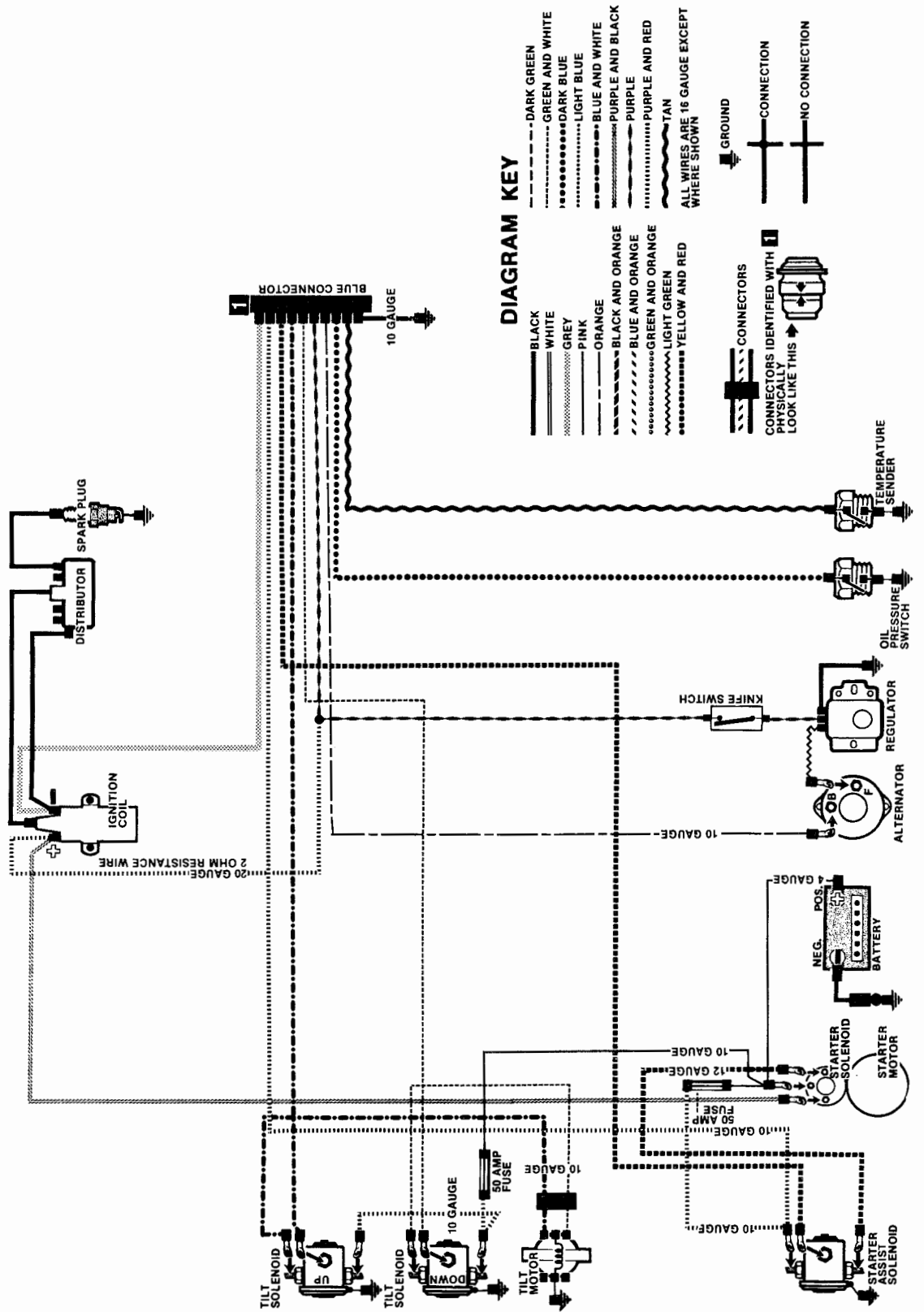
1980-ON 120/140 HP 2.5/3.0L PRE-SET TRIM



1980-ON 120/140 HP 2.5/3.0L SELECTRIM



1980-ON V8 PRE-SET TRIM



1980-ON V8 SELECTRIM

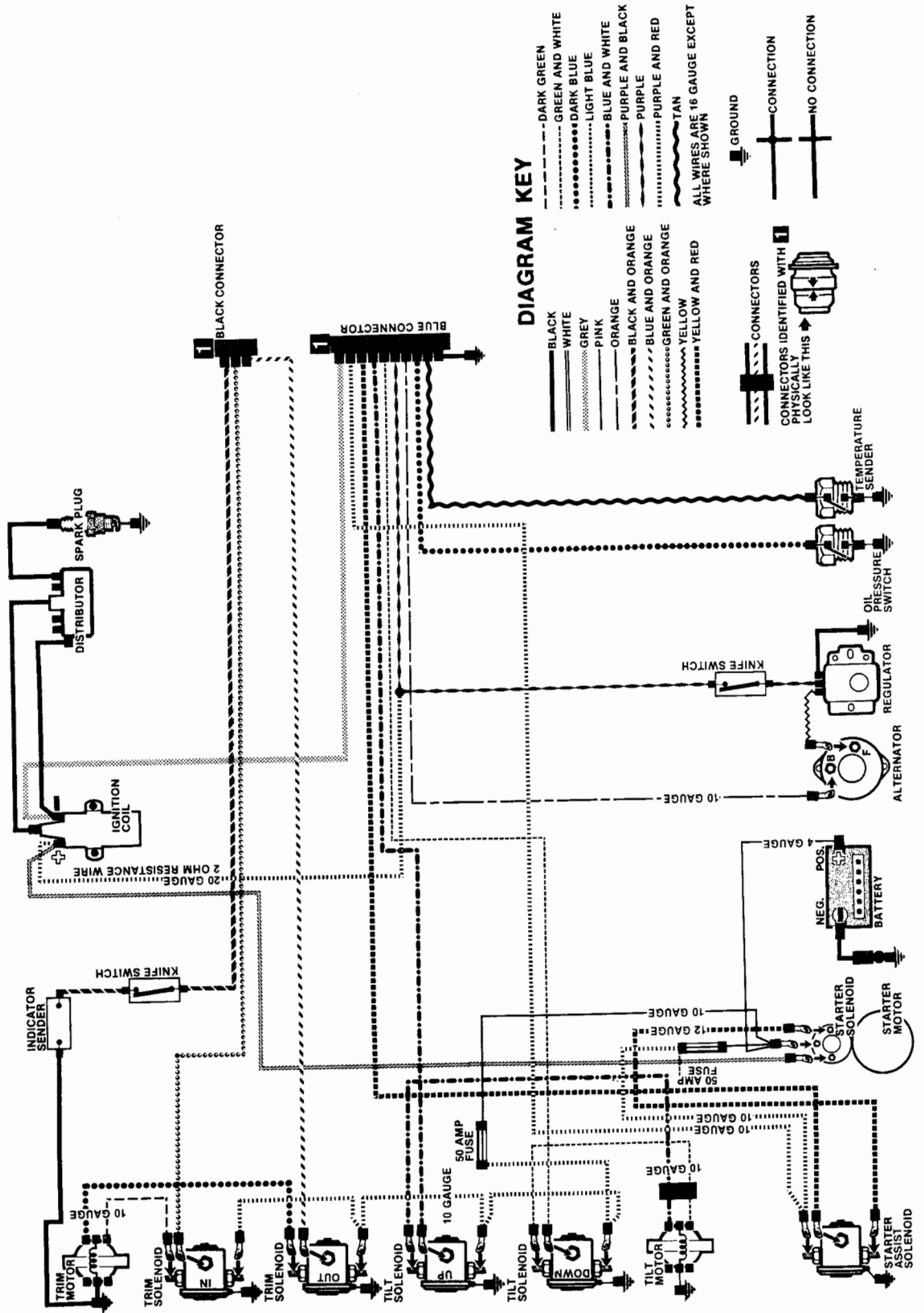
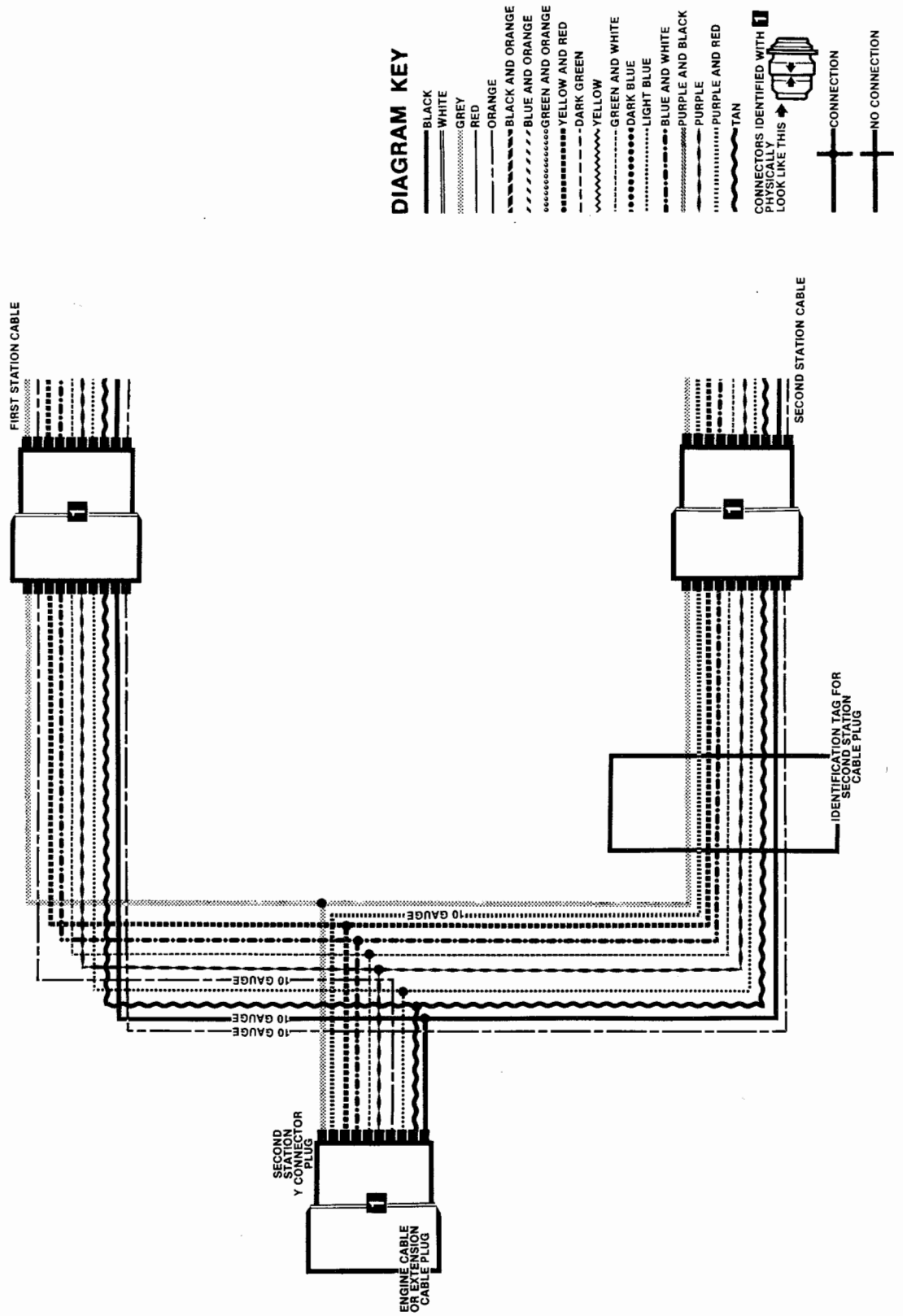


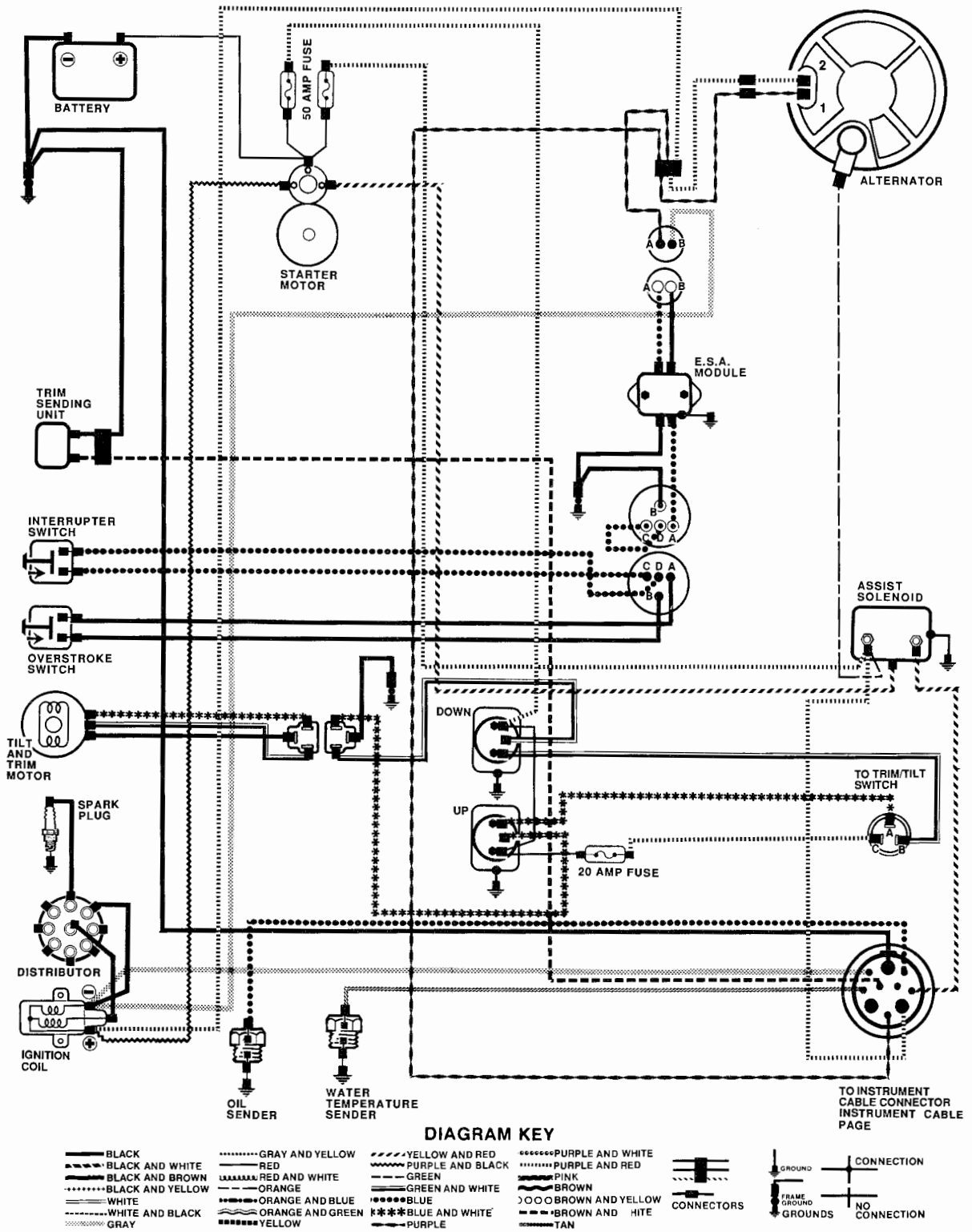
DIAGRAM KEY

- BLACK
- WHITE
- GREY
- PINK
- ORANGE
- BLACK AND ORANGE
- BLUE AND ORANGE
- GREEN AND ORANGE
- YELLOW
- YELLOW AND RED
- DARK GREEN
- GREEN AND WHITE
- DARK BLUE
- LIGHT BLUE
- BLUE AND WHITE
- PURPLE AND BLACK
- PURPLE
- PURPLE AND RED
- TAN
- ALL WIRES ARE 16 GAUGE EXCEPT WHERE SHOWN
- CONNECTORS IDENTIFIED WITH 1
- CONNECTORS IDENTIFIED WITH 2
- CONNECTION
- NO CONNECTION
- GROUND

1980-ON SECOND STATION Y CONNECTOR



1986 OMC COBRA ENGINE CABLE



1986 OMC COBRA INSTRUMENT CABLE

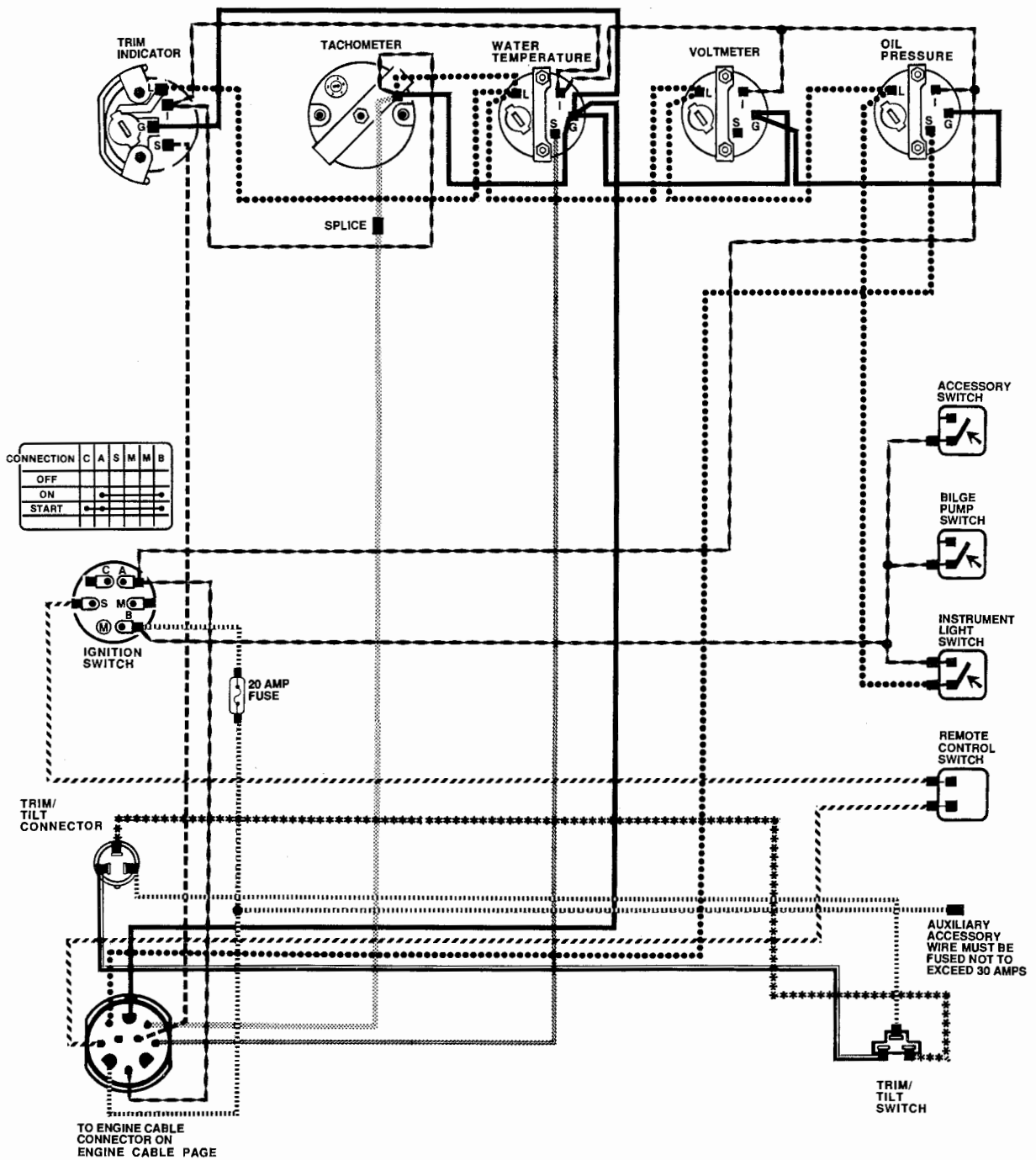


DIAGRAM KEY

- | | | | | | |
|------------------------|------------------------|----------------------|------------------------|----------------------|-----------------|
| — BLACK | GRAY AND YELLOW | ——— YELLOW AND RED | PURPLE AND WHITE | — GROUND | — CONNECTION |
| ——— BLACK AND WHITE | — RED | ——— PURPLE AND BLACK | PURPLE AND RED | — FRAME GROUND | — NO CONNECTION |
| ——— BLACK AND BROWN | ——— RED AND WHITE | ——— GREEN | PINK | — CONNECTORS | |
| BLACK AND YELLOW | — ORANGE | ——— GREEN AND WHITE | ——— BROWN | ○ ○ BROWN AND YELLOW | |
| — WHITE | ORANGE AND BLUE | BLUE | BROWN AND WHITE | — TAN | |
| WHITE AND BLACK | ORANGE AND GREEN | *** BLUE AND WHITE | | | |
| GRAY | YELLOW | ——— PURPLE | | | |

AUXILIARY ACCESSORY WIRE MUST BE FUSED NOT TO EXCEED 30 AMPS

TO ENGINE CABLE CONNECTOR ON ENGINE CABLE PAGE

Wiring Diagrams

1986 OMC COBRA ENGINE CABLE

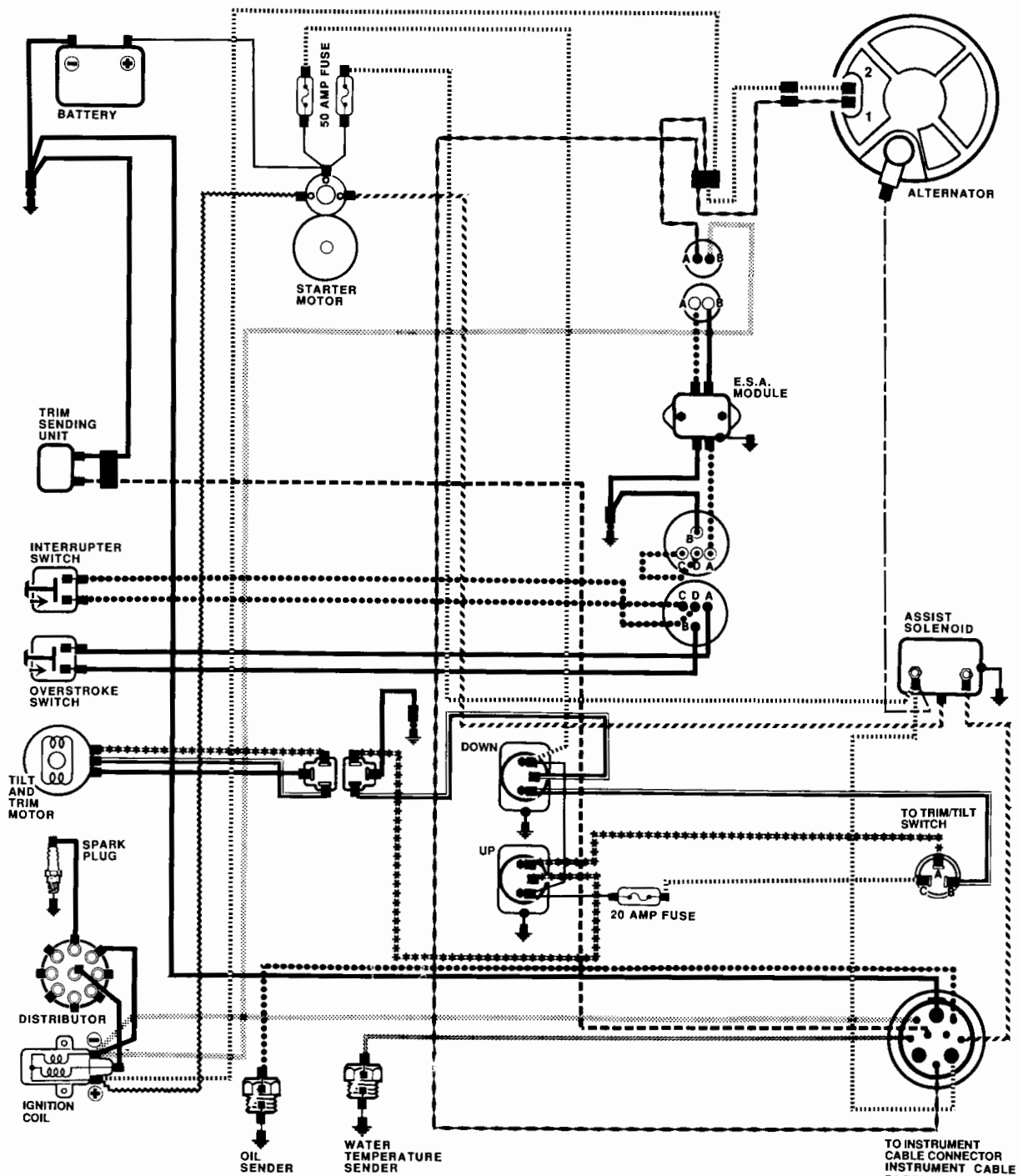


DIAGRAM KEY

<ul style="list-style-type: none"> — BLACK - - - BLACK AND WHITE - . - . - BLACK AND BROWN · · · · · BLACK AND YELLOW — WHITE - - - WHITE AND BLACK · · · · · GRAY 	<ul style="list-style-type: none"> · · · · · GRAY AND YELLOW — RED - . - . - RED AND WHITE - - - ORANGE · · · · · ORANGE AND BLUE - . - . - ORANGE AND GREEN · · · · · YELLOW 	<ul style="list-style-type: none"> - . - . - YELLOW AND RED - - - PURPLE AND BLACK - - - GREEN - - - GREEN AND WHITE · · · · · BLUE - . - . - BLUE AND WHITE — PURPLE 	<ul style="list-style-type: none"> · · · · · PURPLE AND WHITE - . - . - PURPLE AND RED — PINK - - - BROWN · · · · · BROWN AND YELLOW - - - BROWN AND WHITE — TAN 	<ul style="list-style-type: none"> — GROUND — FRAME GROUND — CONNECTORS 	<ul style="list-style-type: none"> — CONNECTION — NO CONNECTION
---	--	--	---	--	---

TO INSTRUMENT CABLE CONNECTOR INSTRUMENT CABLE PAGE

1986 OMC COBRA INSTRUMENT CABLE

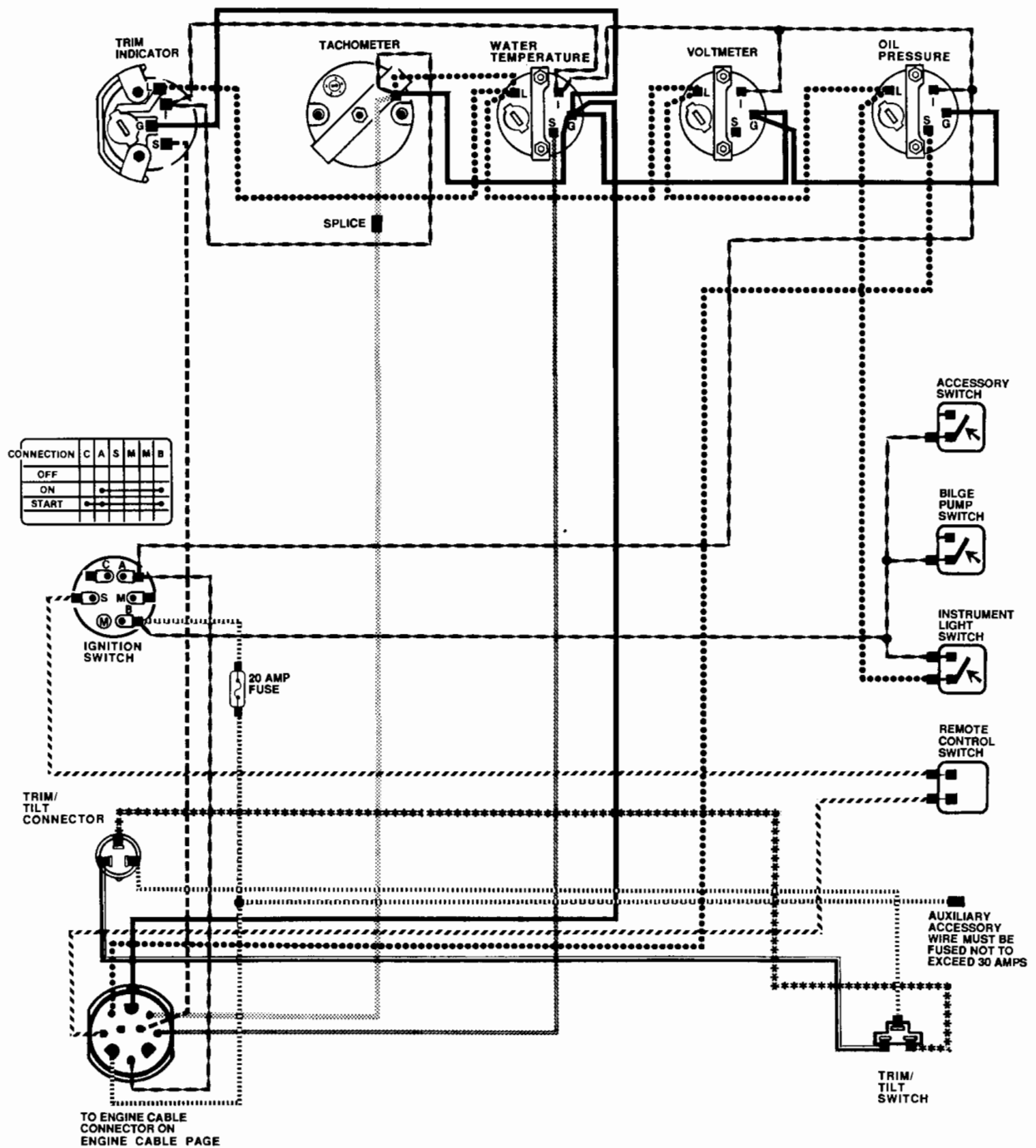


DIAGRAM KEY

- | | | | | | | |
|------------------------|------------------------|-----------------------|----------------------------|----------------|-----------------|--------------|
| — BLACK | GRAY AND YELLOW | //// YELLOW AND RED | o-o-o-o-o PURPLE AND WHITE | — CONNECTORS | — GROUND | — CONNECTION |
| - - - BLACK AND WHITE | — RED | //// PURPLE AND BLACK | o-o-o-o-o PURPLE AND RED | — FRAME GROUND | — NO CONNECTION | |
| - - - BLACK AND BROWN | RED AND WHITE | — GREEN | — PINK | — TAN | | |
| BLACK AND YELLOW | - - - ORANGE | GREEN AND WHITE | — BROWN | | | |
| — WHITE | ORANGE AND BLUE | BLUE | o-o-o-o-o BROWN AND YELLOW | | | |
| WHITE AND BLACK | ORANGE AND GREEN | *** BLUE AND WHITE | — BROWN AND WHITE | | | |
| GRAY | YELLOW | — PURPLE | — TAN | | | |

1987 OMC ENGINE CABLE 2.3 & 7.5

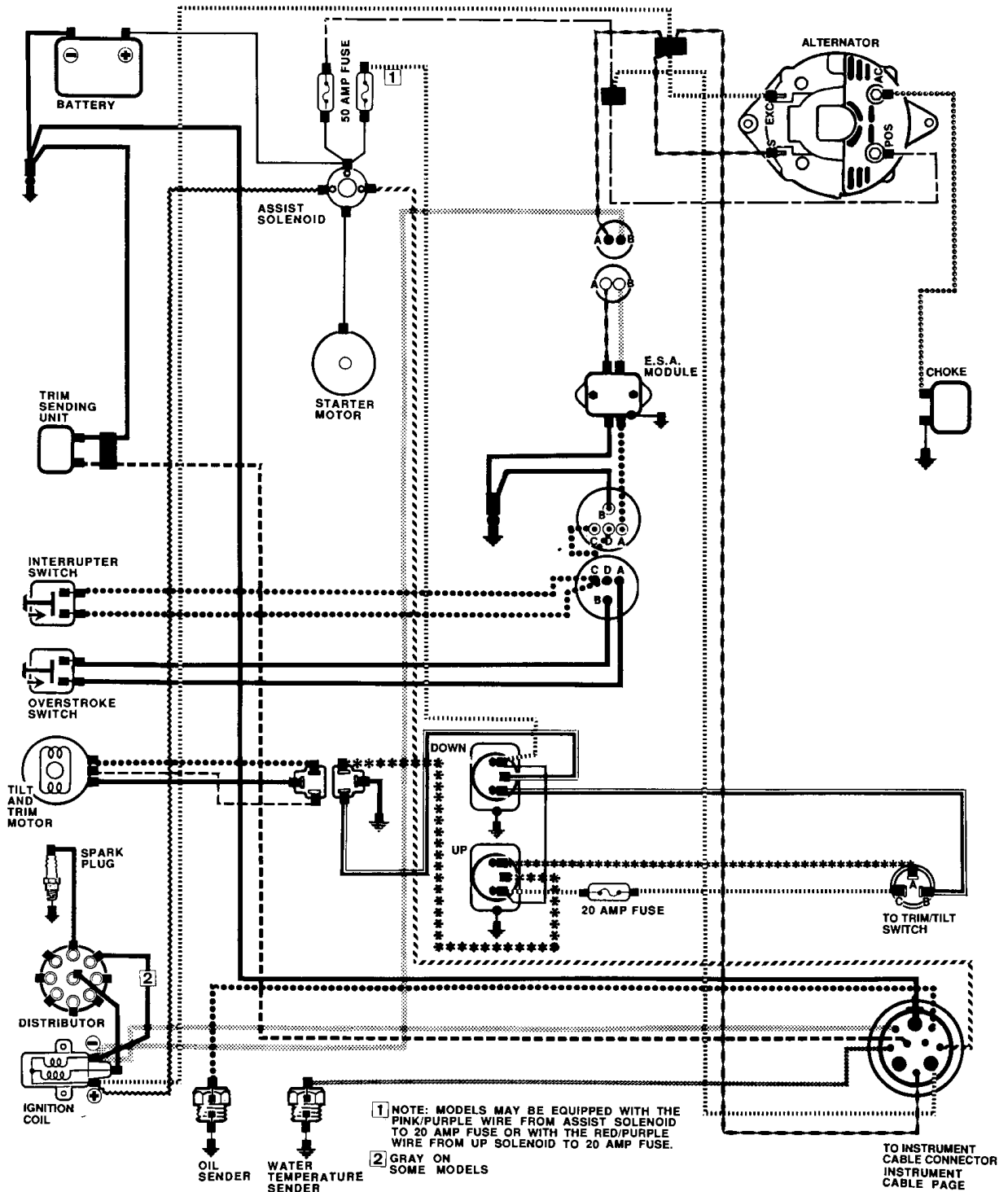


DIAGRAM KEY

— BLACKGRAY AND YELLOW	////YELLOW AND REDPURPLE AND WHITE	— GROUND	— CONNECTION
— BLACK AND WHITE	— RED	////PURPLE AND BLACKPURPLE AND RED	— FRAME GROUND	— NO CONNECTION
— BLACK AND BROWNRED AND WHITE	— GREENPINK	— CONNECTORS	
.....BLACK AND YELLOW	— ORANGEGREEN AND WHITEBROWN		
— WHITEORANGE AND BLUEBLUEBROWN AND YELLOW		
.....WHITE AND BLACKORANGE AND GREENBLUE AND WHITEBROWN AND WHITE		
.....GRAYYELLOW	— PURPLE	— TAN		

See the e-informationstation.com for all your manual needs
1987 OMC ENGINE CABLE 3.0, 4.3, 5.0, 5.7

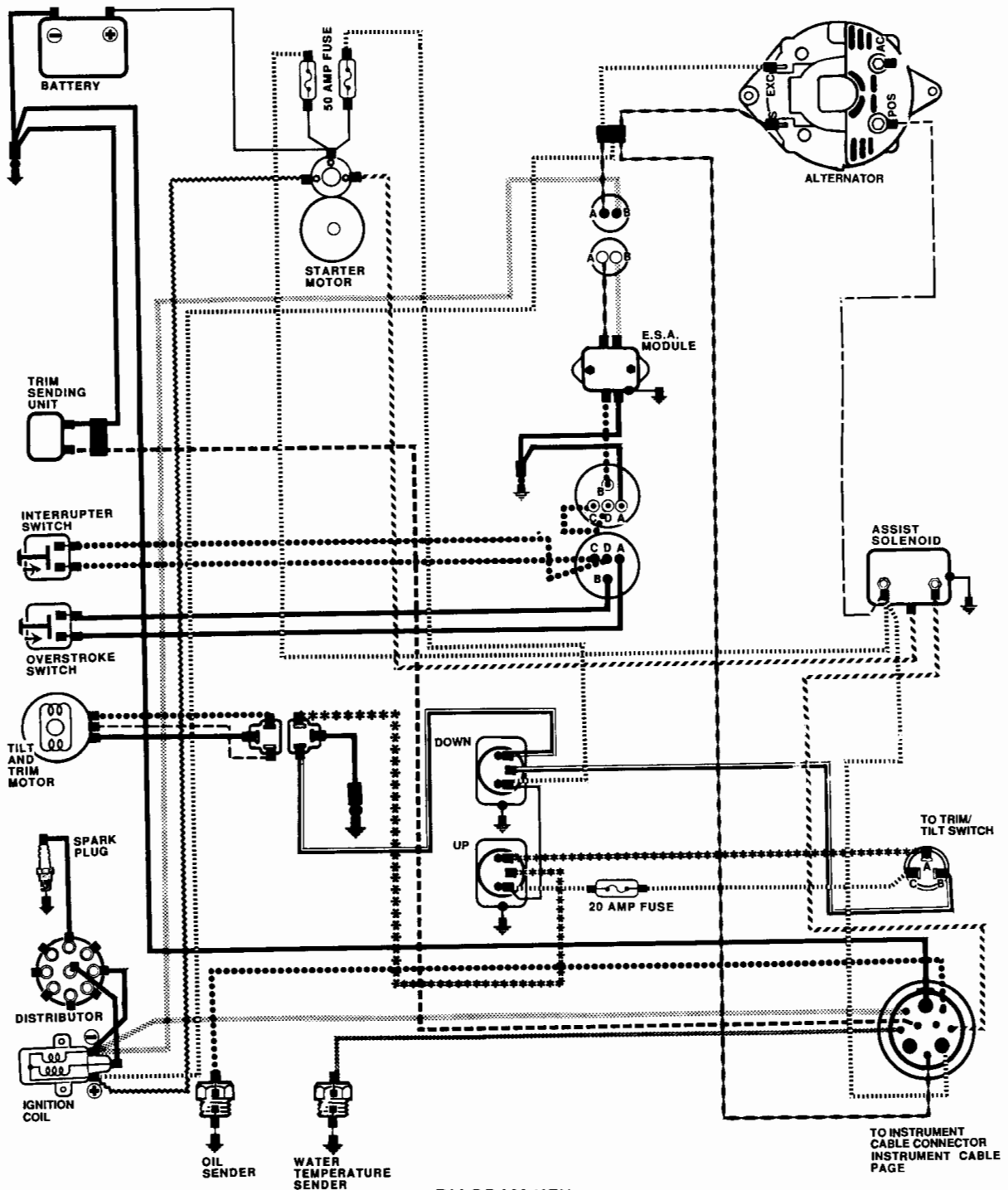


DIAGRAM KEY

- | | | | | | |
|------------------------|------------------------|------------------------|------------------------|----------------|-----------------|
| — BLACK | GRAY AND YELLOW | ----- YELLOW AND RED | PURPLE AND WHITE | — GROUND | — CONNECTION |
| --- BLACK AND WHITE | RED | ----- PURPLE AND BLACK | PURPLE AND RED | — FRAME GROUND | — NO CONNECTION |
| --- BLACK AND BROWN | RED AND WHITE | ----- GREEN | PINK | — CONNECTORS | |
| BLACK AND YELLOW | ----- ORANGE | ----- GREEN AND WHITE | ----- BROWN | | |
| ----- WHITE | ----- ORANGE AND BLUE | BLUE | BROWN AND YELLOW | | |
| WHITE AND BLACK | ----- ORANGE AND GREEN | BLUE AND WHITE | BROWN AND WHITE | | |
| GRAY | ----- YELLOW | ----- PURPLE | ----- TAN | | |

See the e-informationstation.com for all your manual needs
1987 OMC COBRA INSTRUMENT CABLE

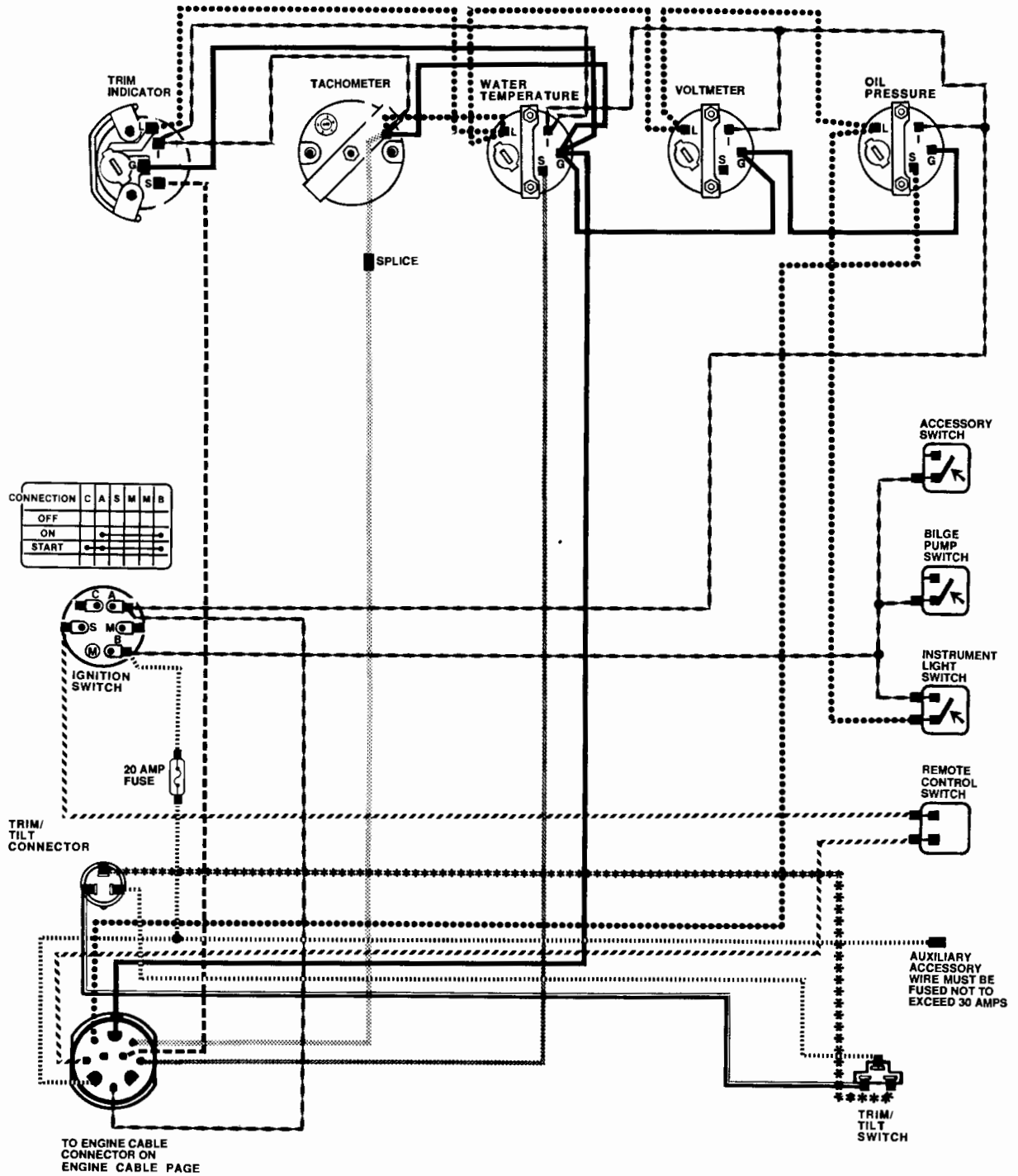
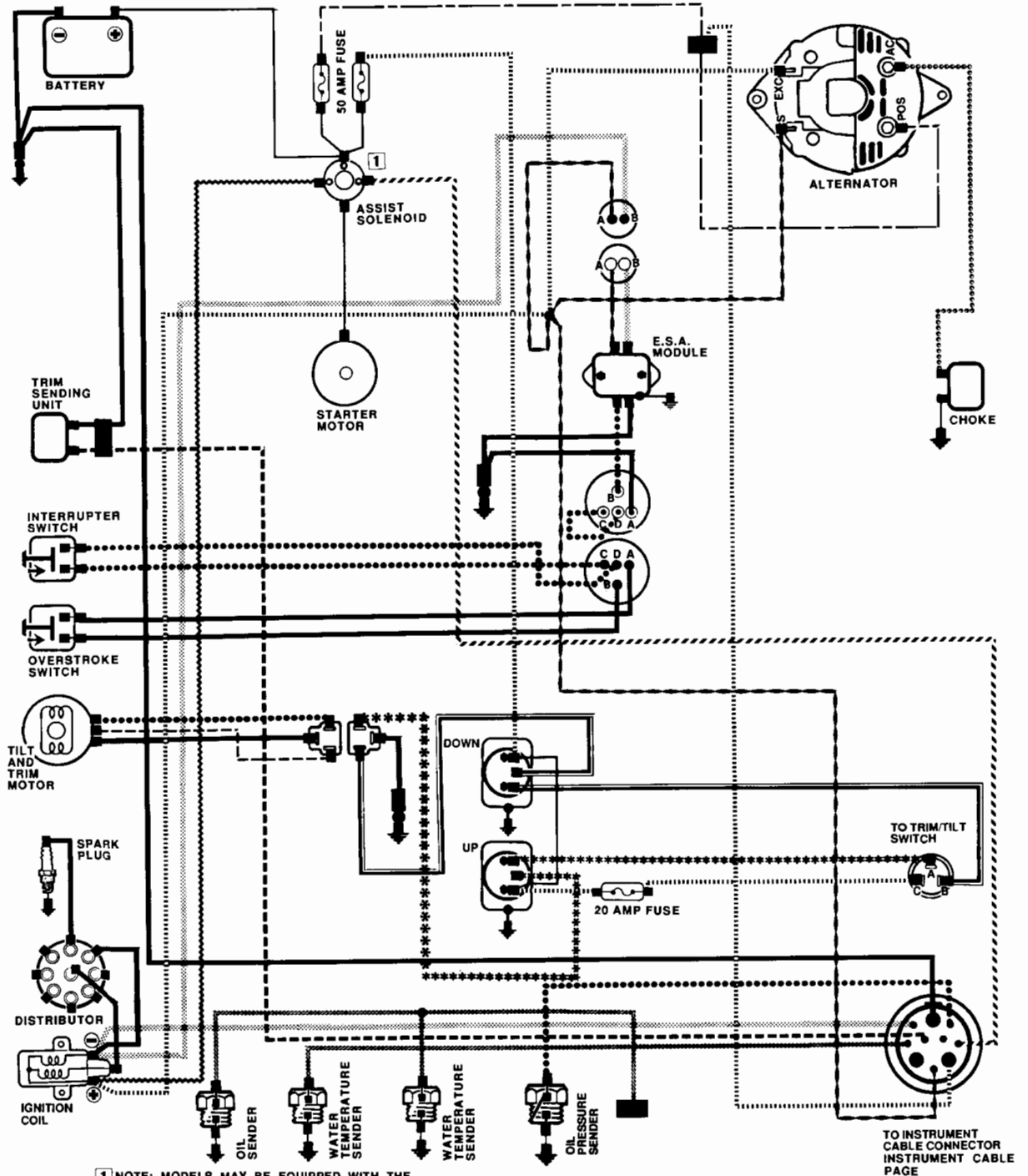


DIAGRAM KEY

- | | | | | | |
|------------------------|------------------------|-----------------------|------------------------|----------------|-----------------|
| — BLACK | GRAY AND YELLOW | //// YELLOW AND RED | PURPLE AND WHITE | — GROUND | — CONNECTION |
| — BLACK AND WHITE | — RED | //// PURPLE AND BLACK | PURPLE AND RED | — FRAME GROUND | — NO CONNECTION |
| — BLACK AND BROWN | RED AND WHITE | — GREEN | PINK | — CONNECTORS | |
| BLACK AND YELLOW | — ORANGE | — GREEN AND WHITE | BROWN | | |
| — WHITE | ORANGE AND BLUE | BLUE | BROWN AND YELLOW | | |
| WHITE AND BLACK | ORANGE AND GREEN | BLUE AND WHITE | — BROWN AND WHITE | | |
| GRAY | YELLOW | — PURPLE | — TAN | | |

1988 OMC ENGINE CABLE 2.3 & 460 KING COBRA

See the informationstation.com for all your manual needs



1 NOTE: MODELS MAY BE EQUIPPED WITH THE PINK/PURPLE WIRE FROM ASSIST SOLENOID TO 20 AMP FUSE OR WITH THE RED/PURPLE WIRE FROM UP SOLENOID TO 20 AMP FUSE.

DIAGRAM KEY

— BLACK GRAY AND YELLOW	//// YELLOW AND RED PURPLE AND WHITE	— GROUND	— CONNECTION
- - - BLACK AND WHITE	— RED	//// PURPLE AND BLACK PURPLE AND RED	— FRAME GROUND	— NO CONNECTION
- . - . - BLACK AND BROWN RED AND WHITE	— GREEN PINK	— GROUND	
..... BLACK AND YELLOW	— ORANGE	— GREEN AND WHITE BROWN	— CONNECTORS	
— WHITE ORANGE AND BLUE BLUE	○ ○ ○ BROWN AND YELLOW		
..... WHITE AND BLACK ORANGE AND GREEN	*** BLUE AND WHITE	— BROWN AND WHITE		
..... GRAY YELLOW	— PURPLE	— TAN		

1988 OMC ENGINE CABLE 3.0, 4.3, 5.0, 5.7 & 350 COBRA

See the e-informationstation.com for all your manual needs

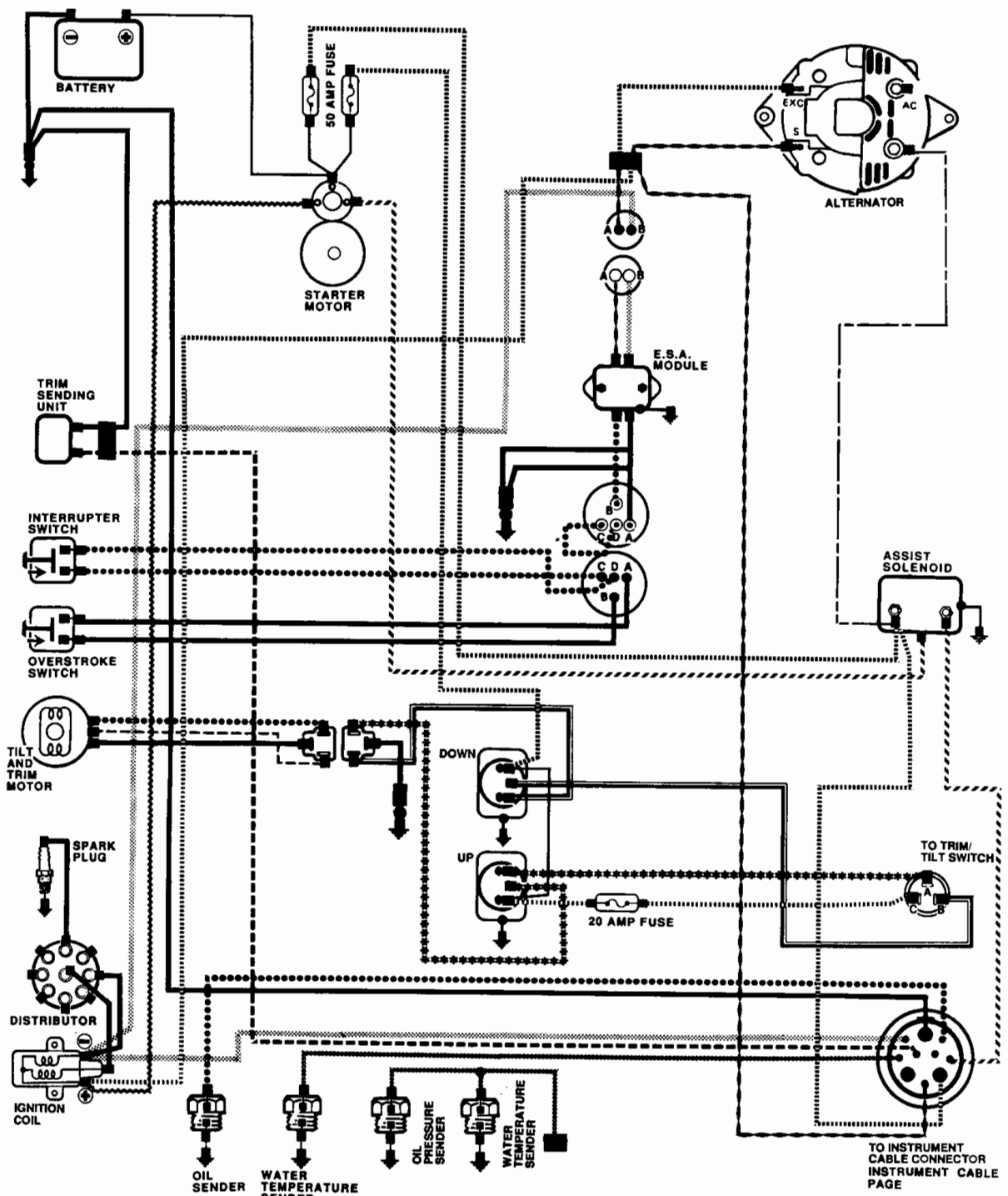


DIAGRAM KEY

- | | | | | | |
|------------------------|------------------------|------------------------|------------------------|----------------|-----------------|
| — BLACK | GRAY AND YELLOW | ----- YELLOW AND RED | PURPLE AND WHITE | — GROUND | — CONNECTION |
| --- BLACK AND WHITE | — RED | ----- PURPLE AND BLACK | PURPLE AND RED | — FRAME GROUND | — NO CONNECTION |
| --- BLACK AND BROWN | ----- RED AND WHITE | ----- GREEN | PINK | — GROUND | |
| BLACK AND YELLOW | ----- ORANGE | ----- GREEN AND WHITE | ----- BROWN | — FRAME GROUND | |
| — WHITE | ----- ORANGE AND BLUE | BLUE | BROWN AND YELLOW | — GROUND | |
| WHITE AND BLACK | ----- ORANGE AND GREEN | BLUE AND WHITE | BROWN AND WHITE | — GROUND | |
| GRAY | YELLOW | ----- PURPLE | TAN | | |



1988 OMC COBRA INSTRUMENT CABLE

See this information station for all your manual needs

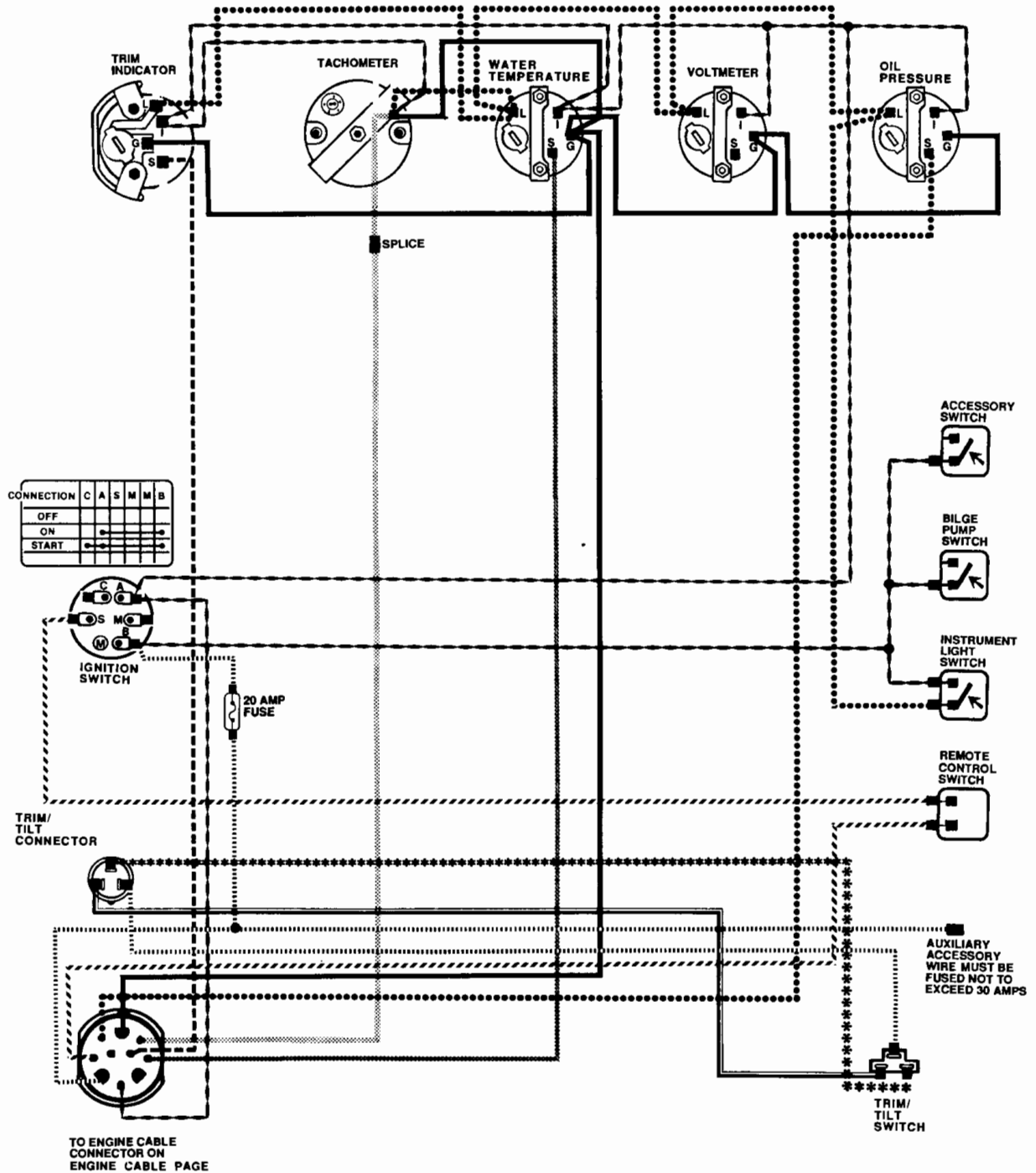
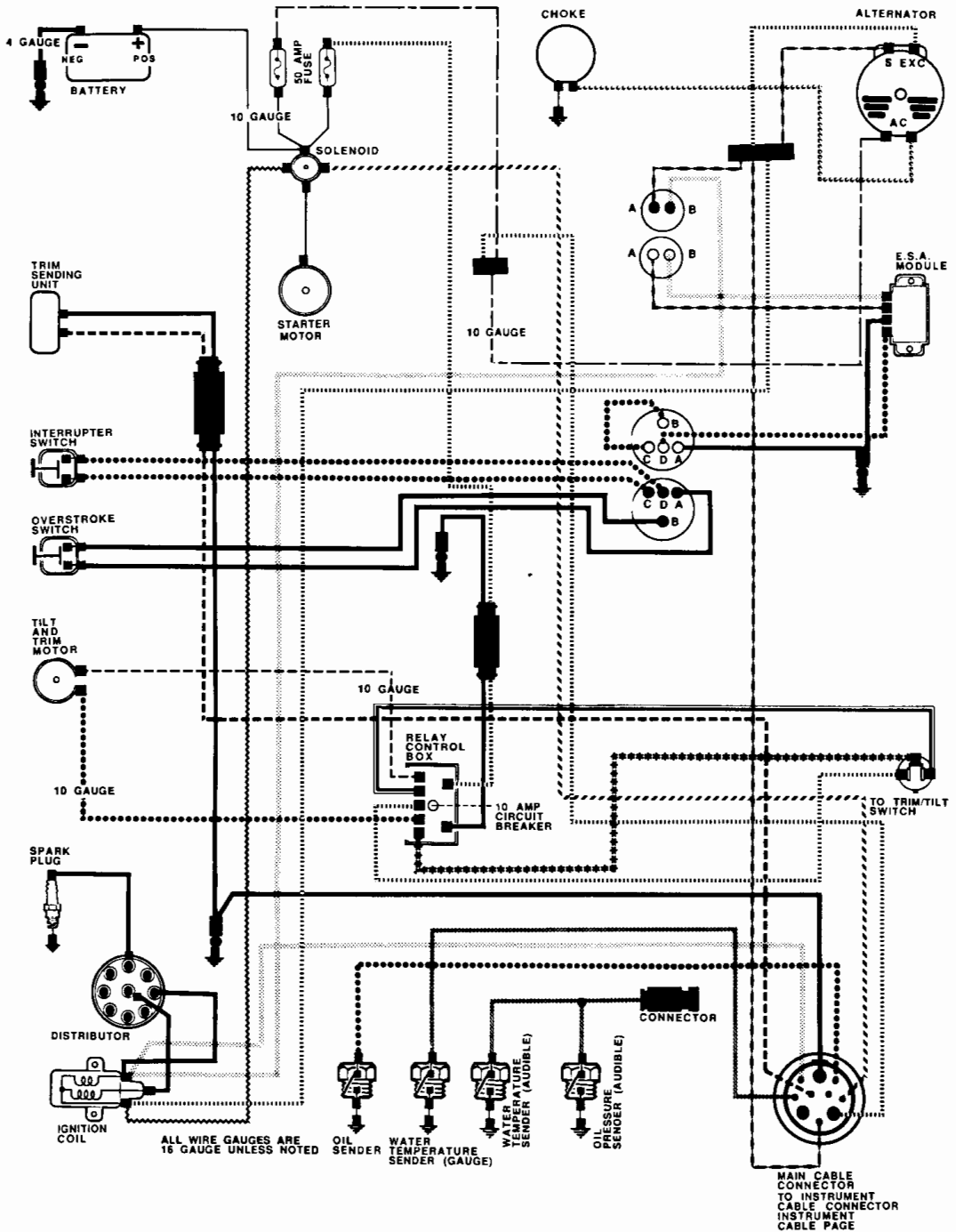


DIAGRAM KEY



1989-1990 OMC ENGINE CABLE 2.3, 5.0, 5.8 & 7.5 (1989)



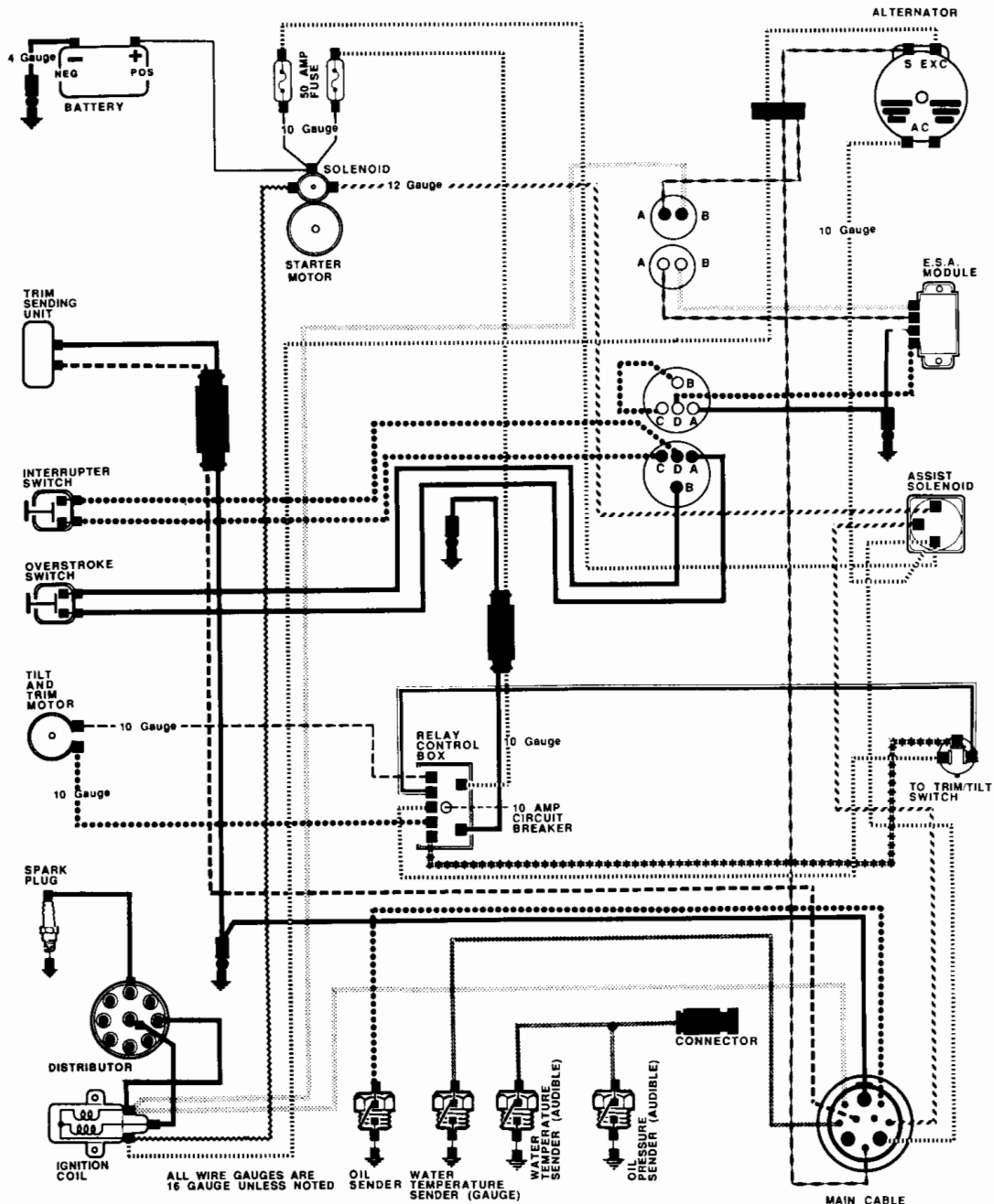
ALL WIRE GAUGES ARE 16 GAUGE UNLESS NOTED

DIAGRAM KEY

- | | | | | | |
|---|--|--|---|--|---|
| <ul style="list-style-type: none"> — BLACK - - - BLACK AND WHITE - . - BLACK AND BROWN BLACK AND YELLOW — WHITE - . - WHITE AND BLACK GRAY | <ul style="list-style-type: none"> GRAY AND YELLOW — RED - . - RED AND WHITE - - - ORANGE ORANGE AND BLUE - . - ORANGE AND GREEN YELLOW | <ul style="list-style-type: none"> - . - YELLOW AND RED - - - PURPLE AND BLACK - - - GREEN GREEN AND WHITE BLUE - . - BLUE AND WHITE PURPLE | <ul style="list-style-type: none"> PURPLE AND WHITE PURPLE AND RED PINK BROWN ○ ○ ○ BROWN AND YELLOW - . - BROWN AND WHITE TAN | <ul style="list-style-type: none"> CONNECTORS | <ul style="list-style-type: none"> GROUND FRAME GROUND CONNECTION NO CONNECTION |
|---|--|--|---|--|---|

See the information station on the front of manuals for more information.

1989 OMC ENGINE CABLE 3.0, 4.3 & 5.7; 1990 3.0 (PWC), 4.3 & 5.7 (PWS)



ALL WIRE GAUGES ARE 16 GAUGE UNLESS NOTED

DIAGRAM KEY

- | | | | | | |
|------------------------|-----------------------|-----------------------|------------------------|----------------|-----------------|
| — BLACK | GRAY AND YELLOW | //// YELLOW AND RED | PURPLE AND WHITE | — GROUND | — CONNECTION |
| --- BLACK AND WHITE | RED | //// PURPLE AND BLACK | PURPLE AND RED | — FRAME GROUND | — NO CONNECTION |
| --- BLACK AND BROWN | RED AND WHITE | ---- GREEN | PINK | | |
| BLACK AND YELLOW | --- ORANGE | ---- GREEN AND WHITE | BROWN | — CONNECTORS | |
| WHITE | --- ORANGE AND BLUE | BLUE | BROWN AND YELLOW | | |
| WHITE AND BLACK | --- ORANGE AND GREEN | BLUE AND WHITE | BROWN AND WHITE | | |
| GRAY | YELLOW | --- PURPLE | TAN | | |

See the e-informationstation.com for all your manual needs
1989-ON OMC COBRA INSTRUMENT CABLE

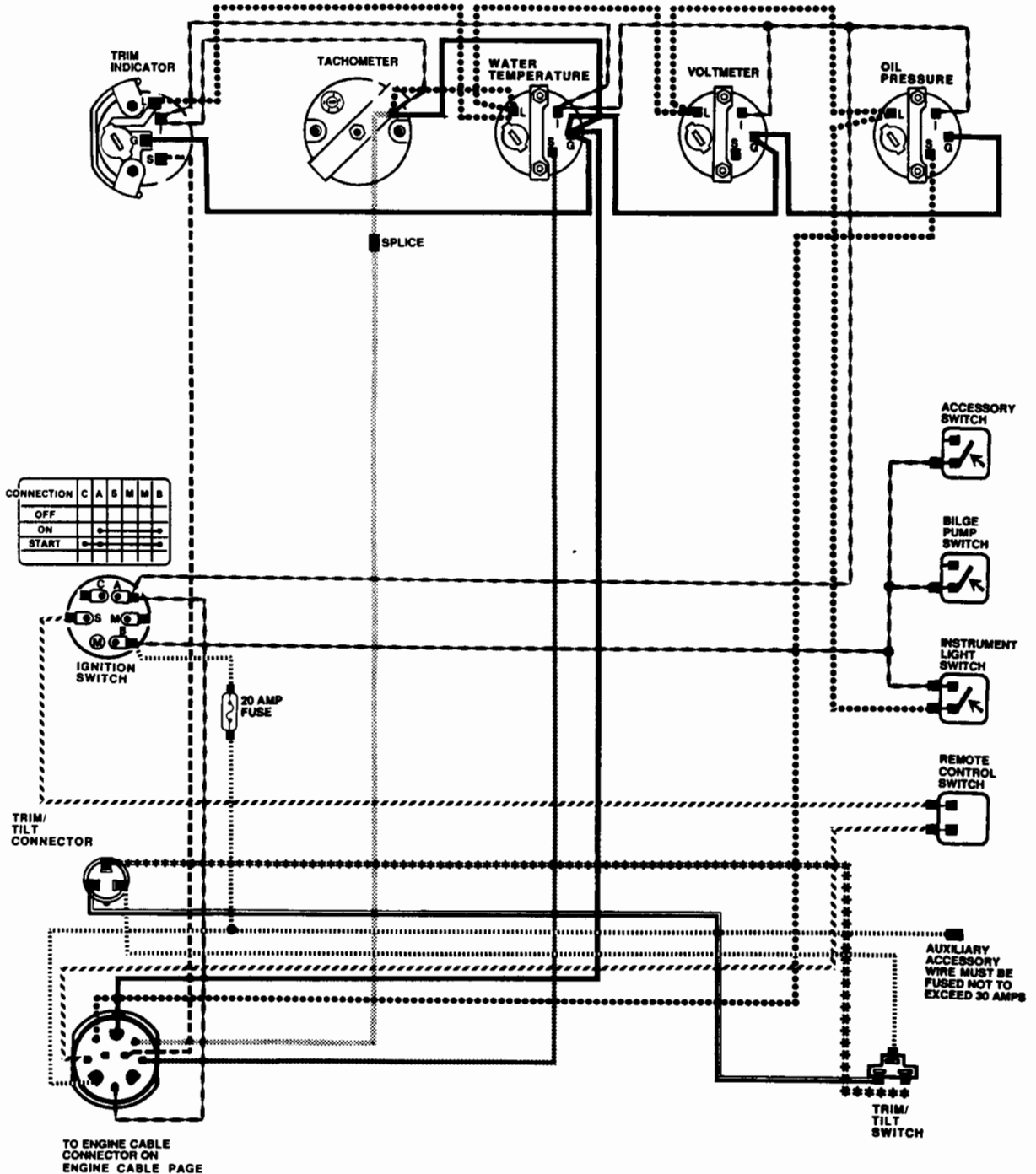
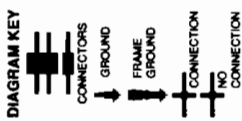
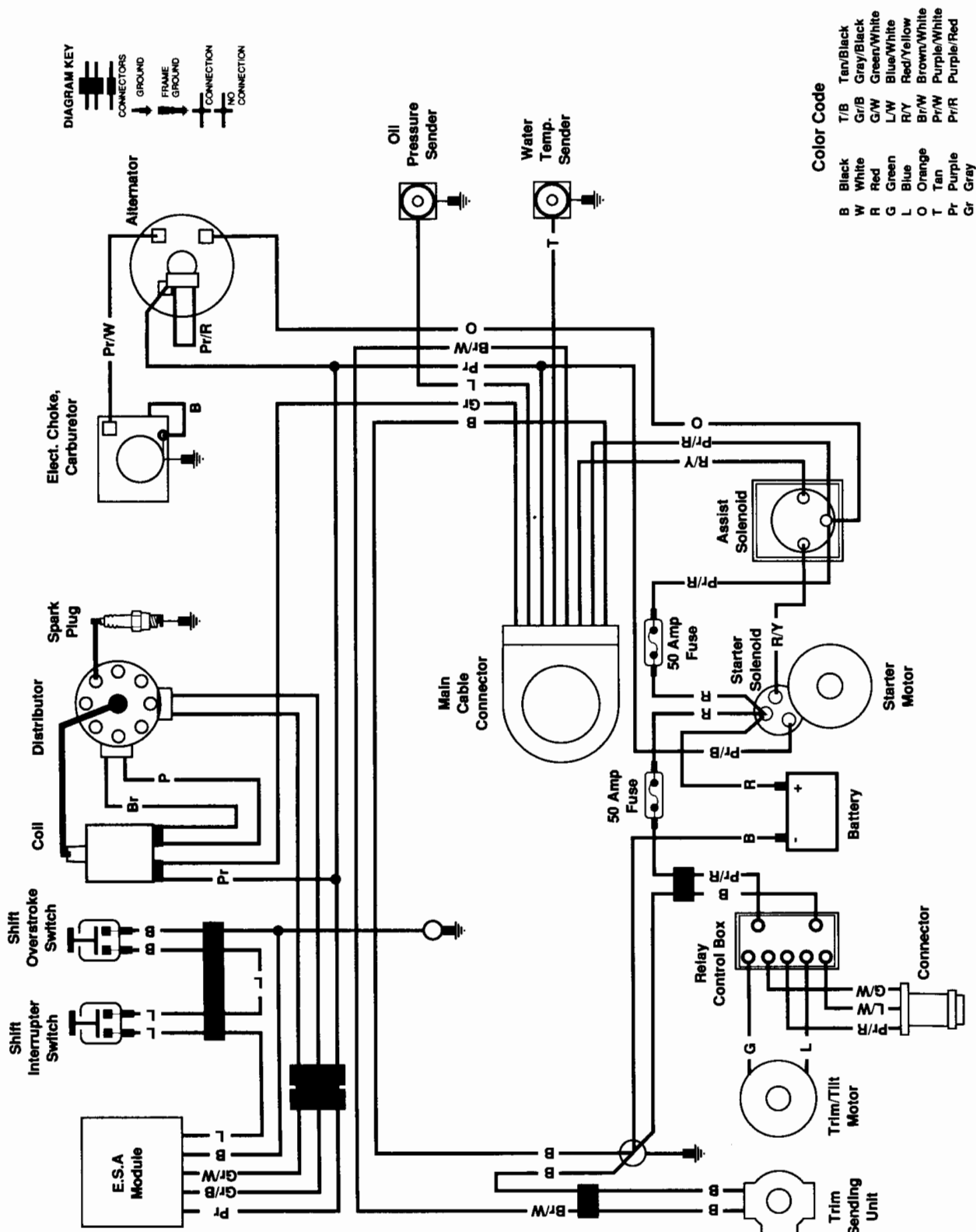


DIAGRAM KEY

- | | | | |
|-----------------------|-----------------------|-----------------------|------------------------|
| — BLACK |GRAY AND YELLOW | ////-YELLOW AND RED |PURPLE AND WHITE |
| - - - BLACK AND WHITE | — RED | ////-PURPLE AND BLACK |PURPLE AND RED |
| - - - BLACK AND BROWN |RED AND WHITE | — GREEN |PINK |
|BLACK AND YELLOW | — ORANGE | — GREEN AND WHITE |BROWN |
| — WHITE |ORANGE AND BLUE |BLUE | ○ ○ ○ BROWN AND YELLOW |
|WHITE AND BLACK |ORANGE AND GREEN |BLUE AND WHITE | — BROWN AND WHITE |
|GRAY | — YELLOW | — PURPLE | — TAN |
-
- | | | |
|---|--|---|
|  CONNECTORS |  GROUND
FRAME GROUND |  CONNECTION
NO CONNECTION |
|---|--|---|

1990 ENGINE CABLE 3.0L & 3.0L HO (PWS)

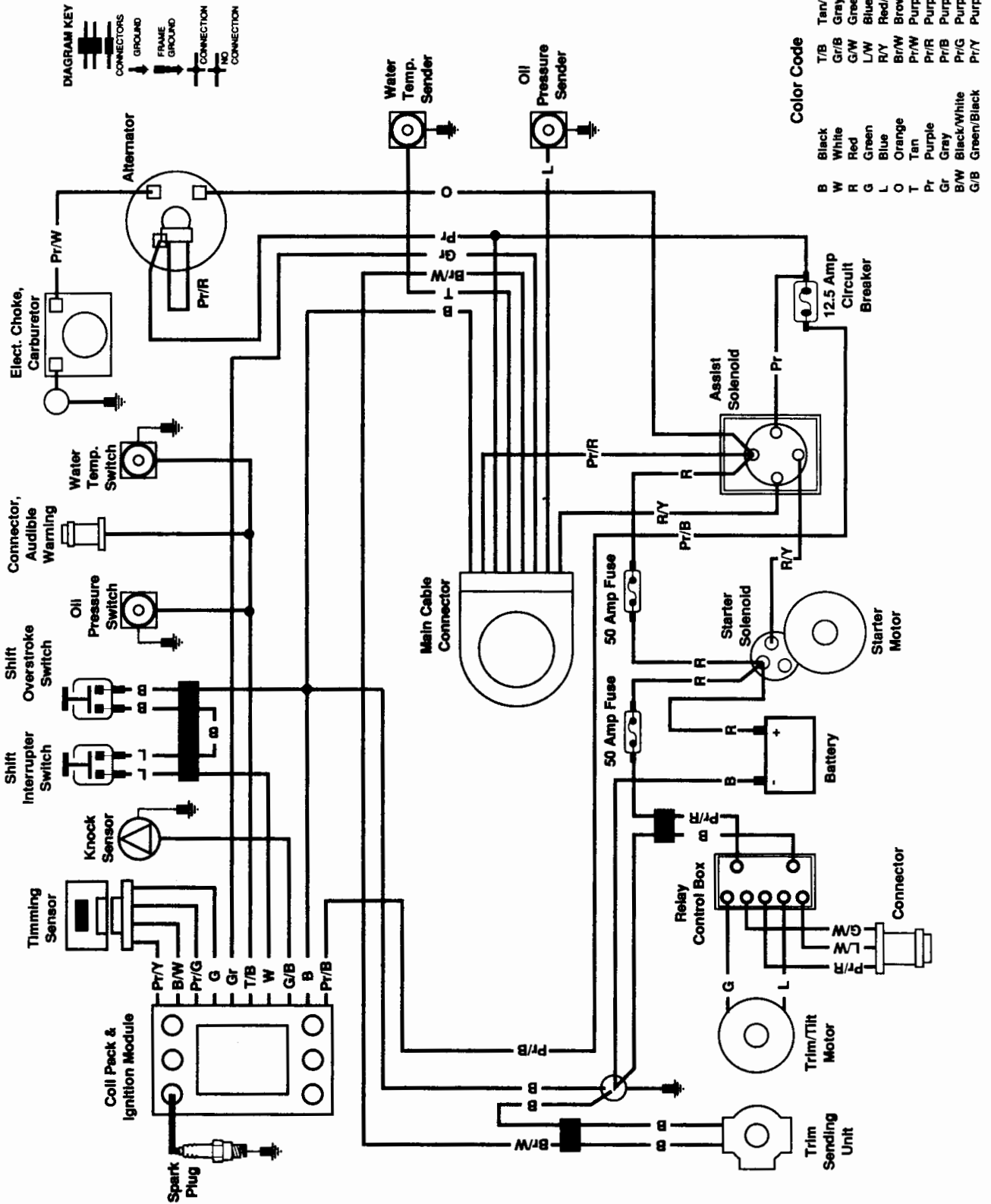
See the information station.com for all your manual needs



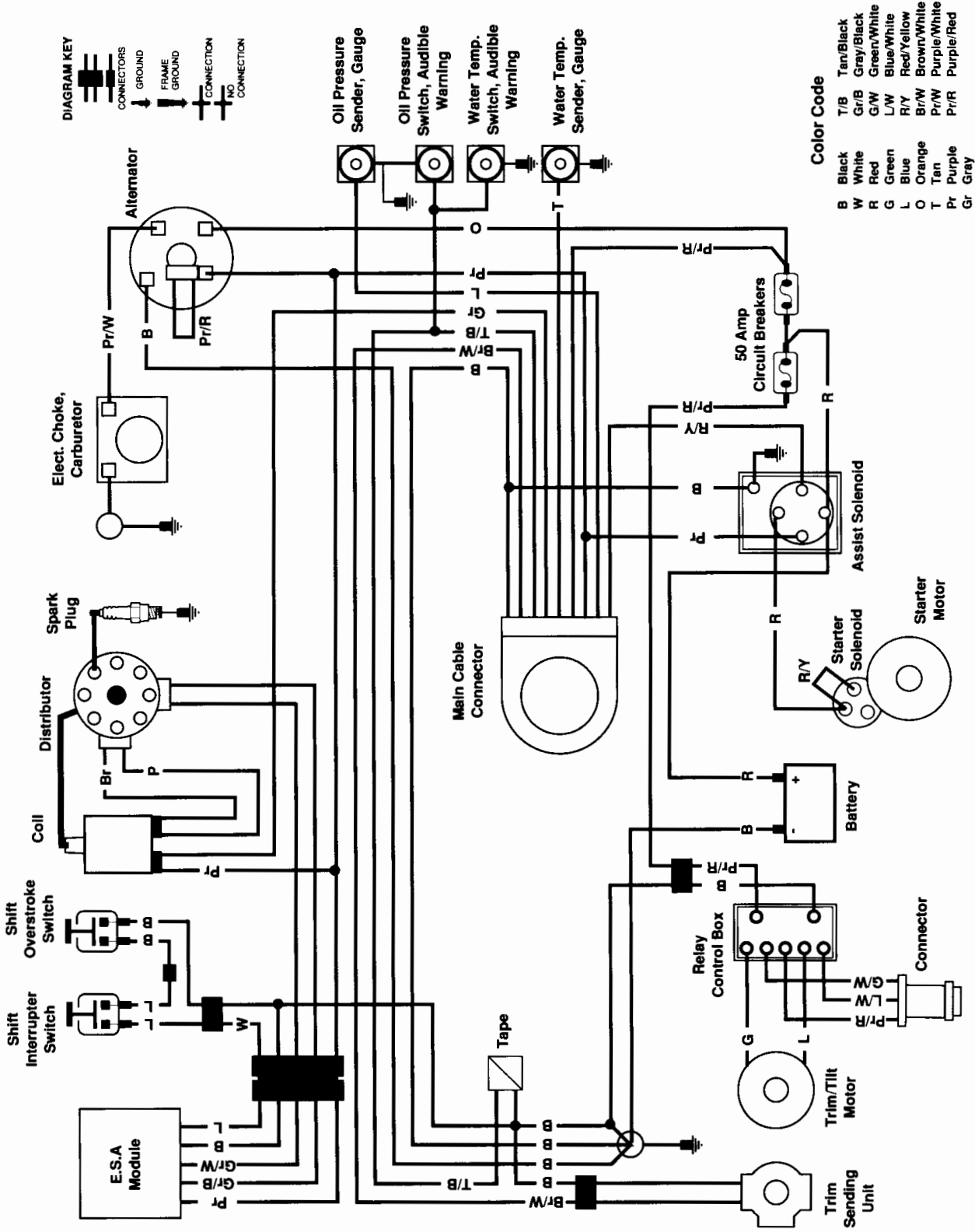
Color Code

B	Black	T/B	Tan/Black
W	White	Gr/B	Gray/Black
R	Red	G/W	Green/White
G	Green	L/W	Blue/White
L	Blue	R/Y	Red/Yellow
O	Orange	Br/W	Brown/White
T	Tan	Pr/W	Purple/White
Pr	Purple	Pr/R	Purple/Red
Gr	Gray		

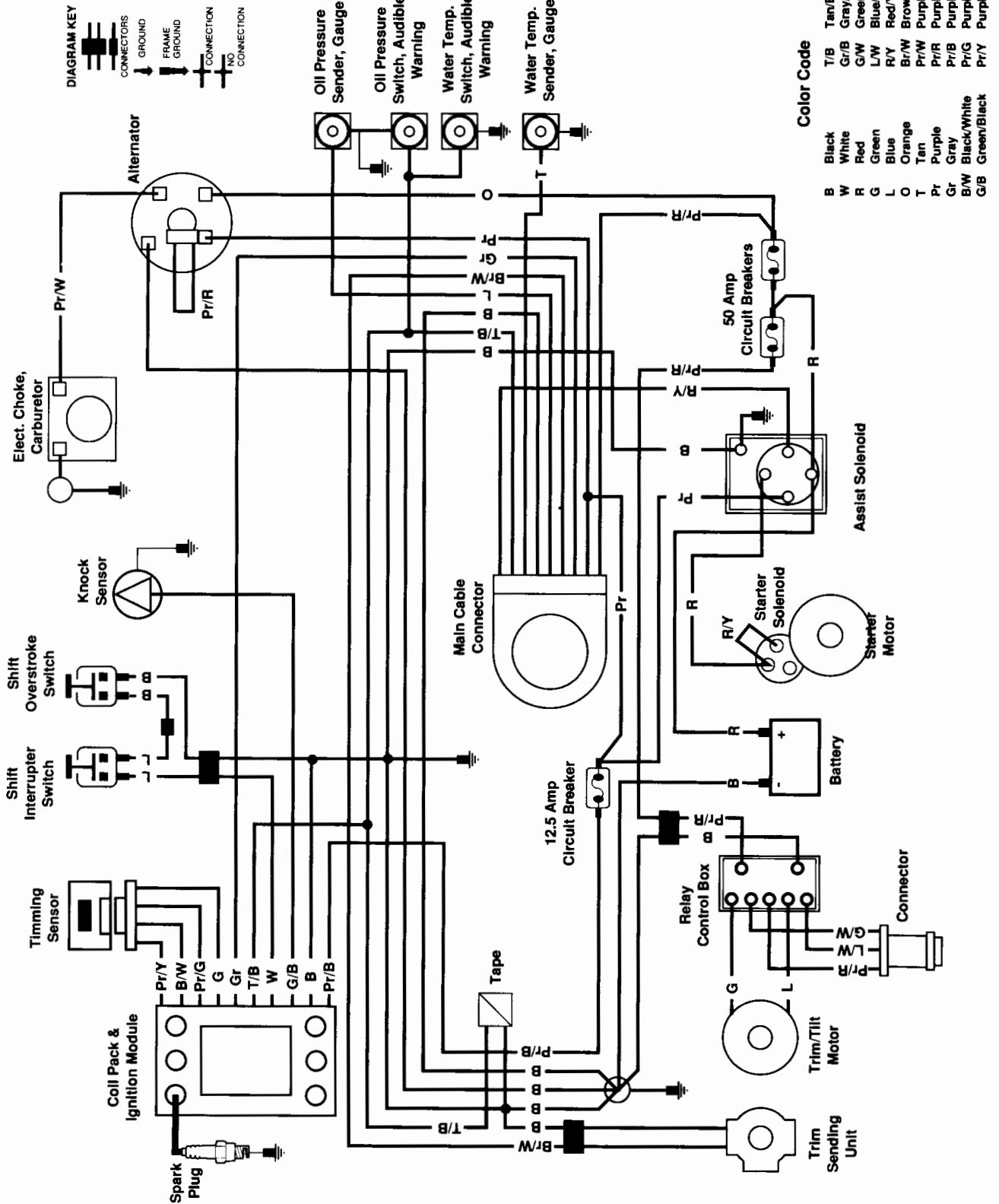
1990 ENGINE CABLE 4.3L HO



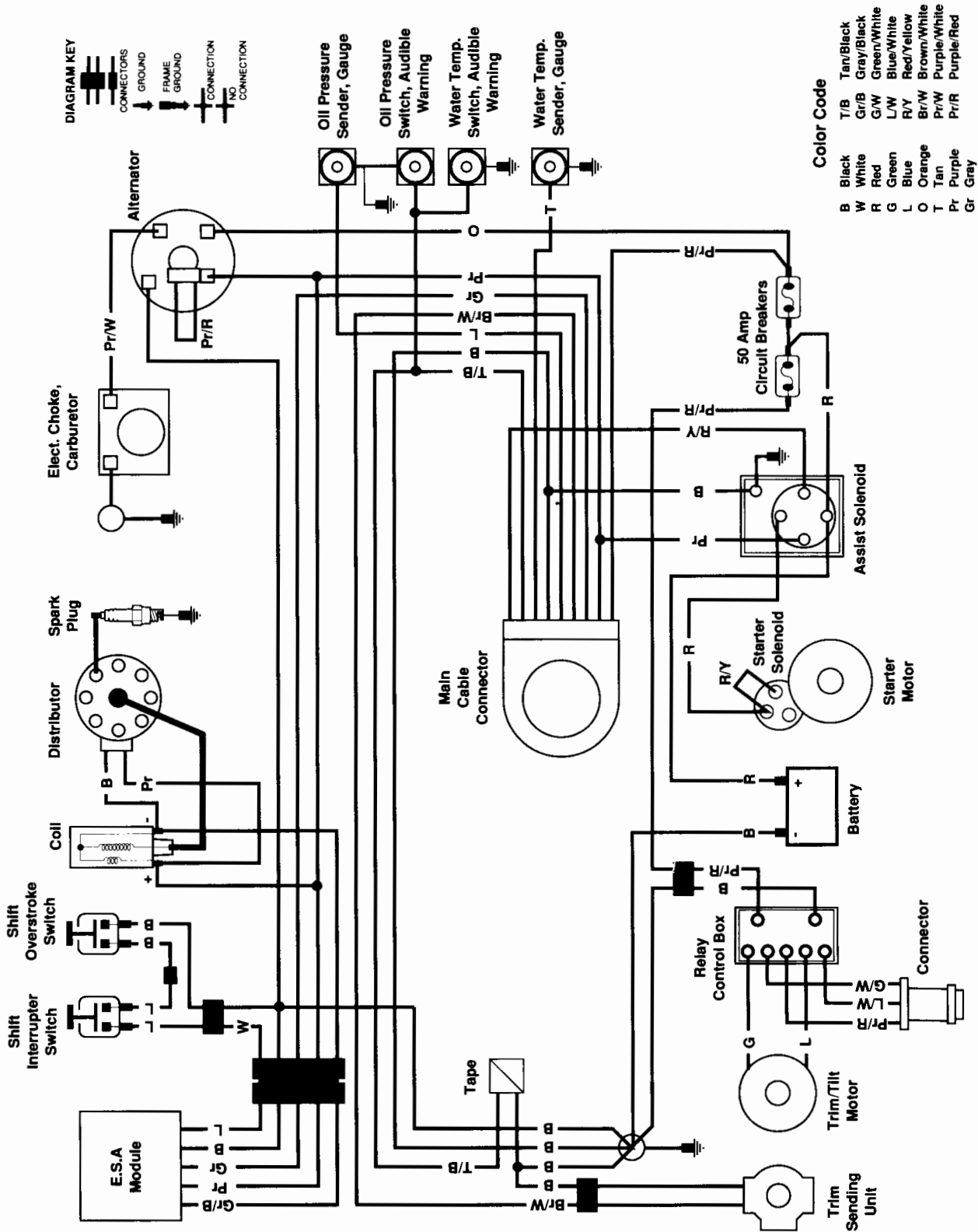
1991 ENGINE CABLE 3.0L & 3.0L HO



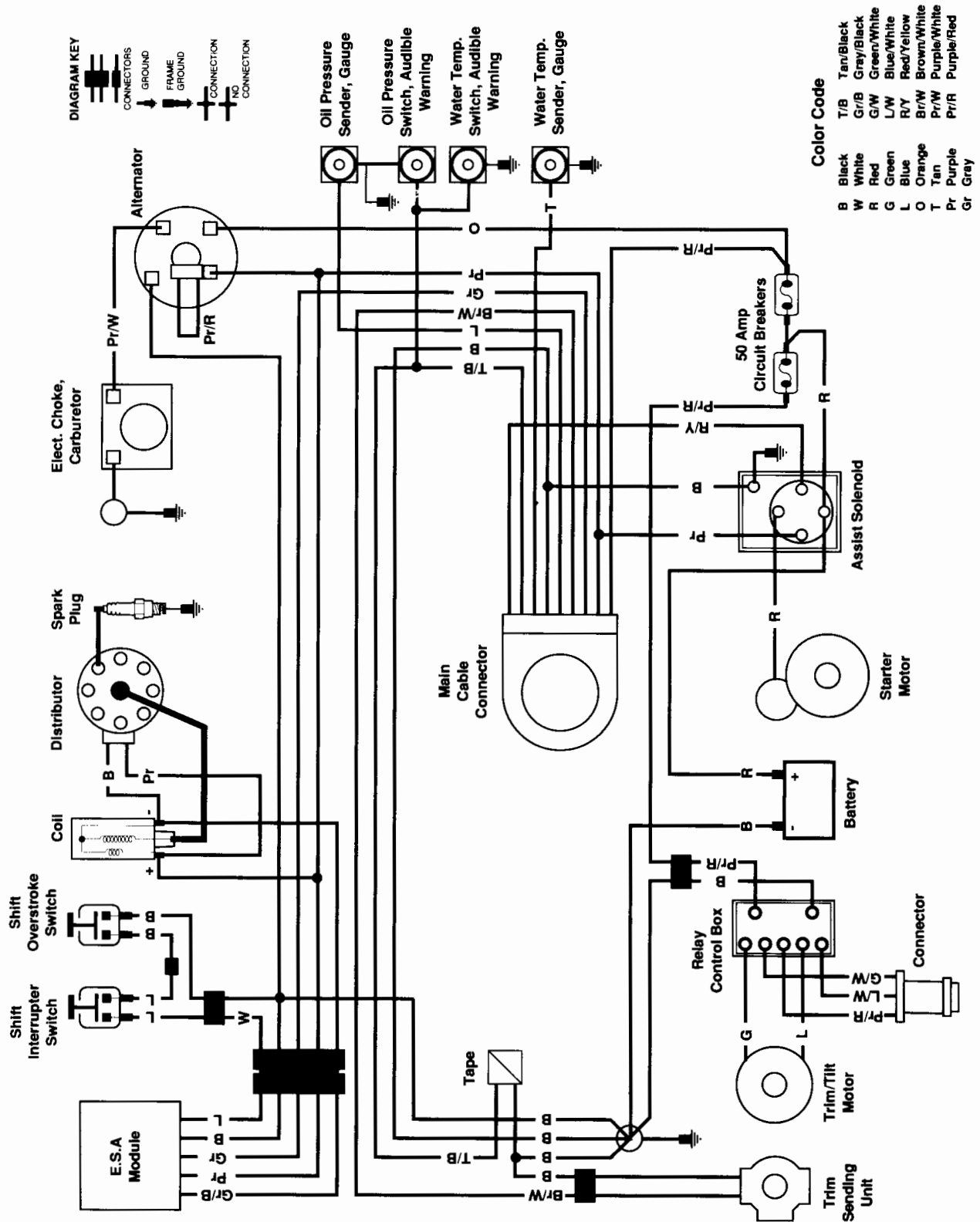
See the e-informationstation.com for all your manual needs
1991 ENGINE CABLE 4.3L HO



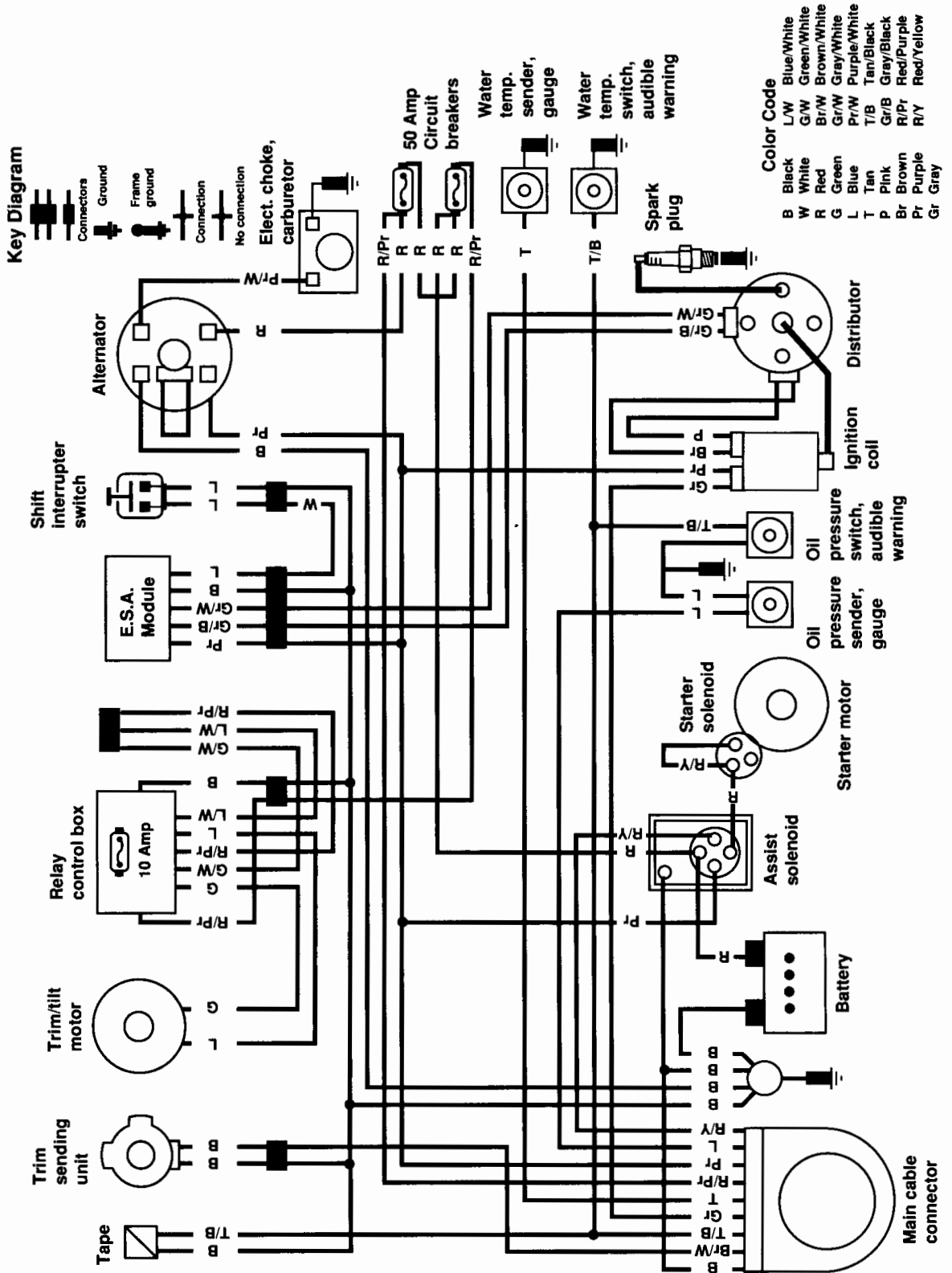
1991 ENGINE CABLE 4.3L & 5.7L



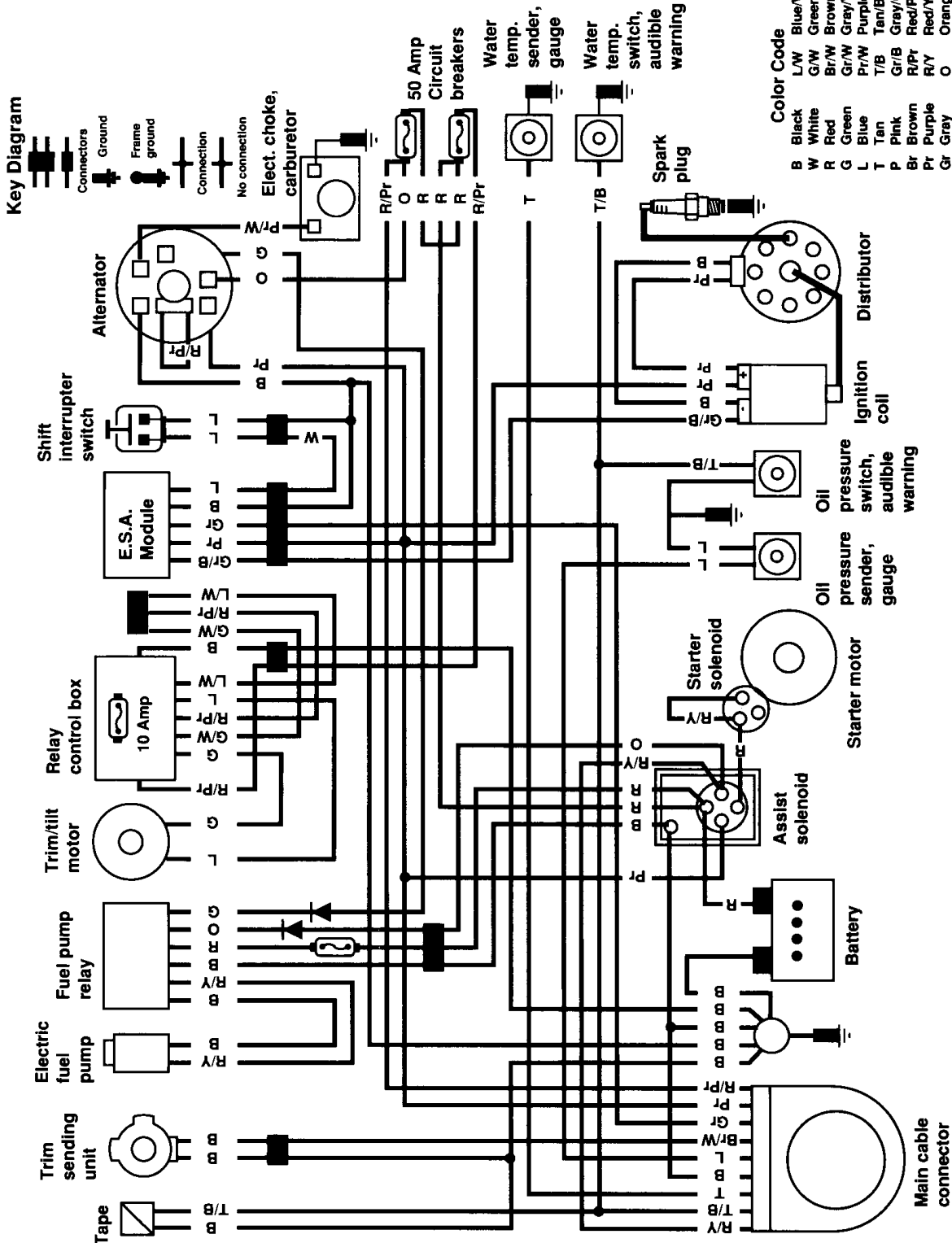
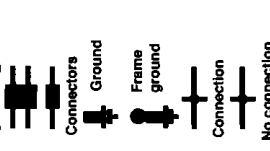
See the e-informationstation.com for all your manual needs
1991 ENGINE CABLE 5.0L, 5.0L HO & 5.8L



See the e-informationstation.com for all your manual needs
1992-1993 ENGINE CABLE 3.0L & 3.0L HO



Key Diagram

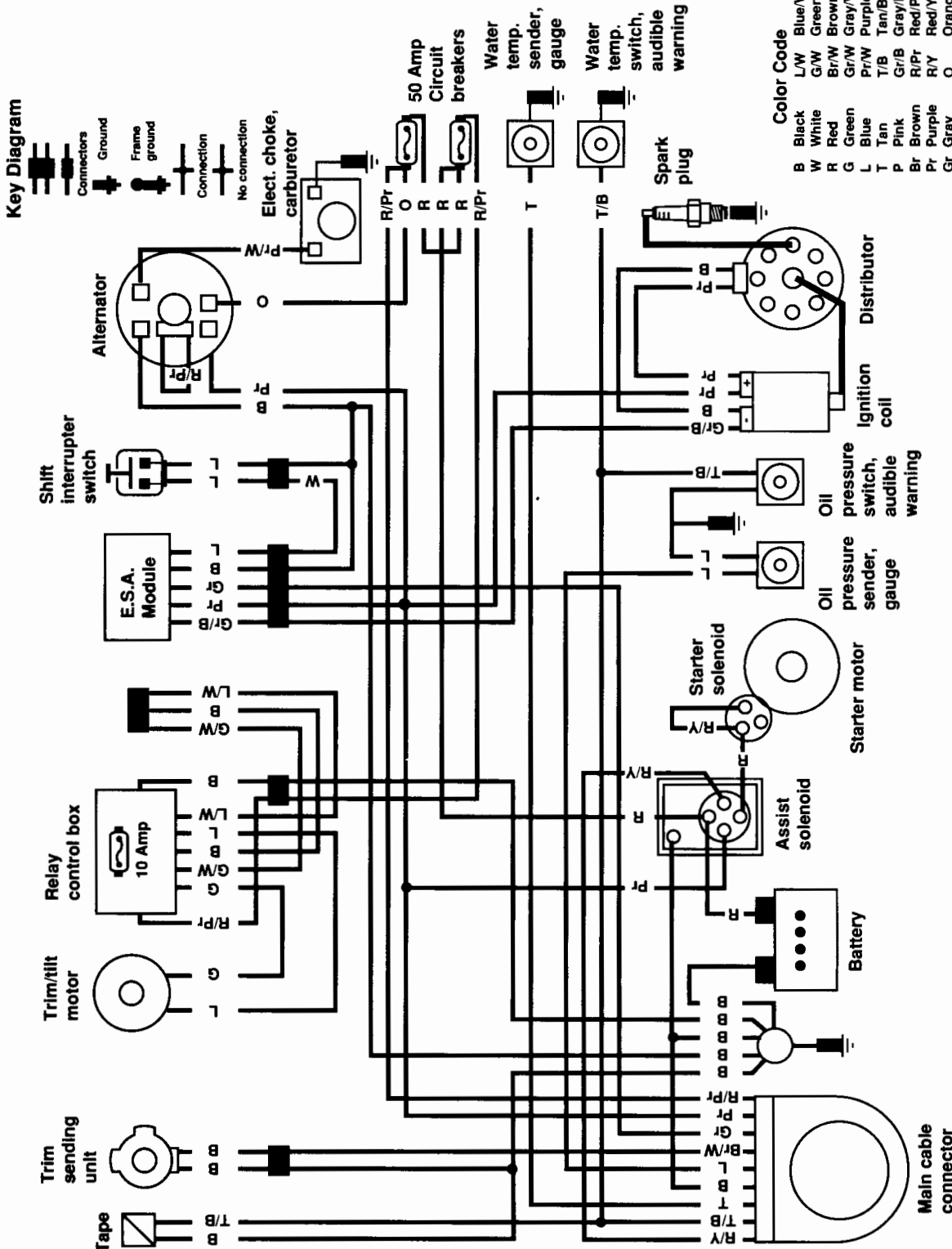
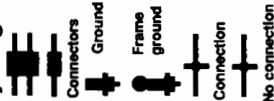


Color Code

B	Black
L/W	Blue/White
G/W	Green/White
R	Red
Br	Brown
G	Green
L	Blue
T	Tan
P	Pink
Br	Brown
Pr	Purple
Gr	Gray
O	Orange

1992 ENGINE CABLE 5.7L

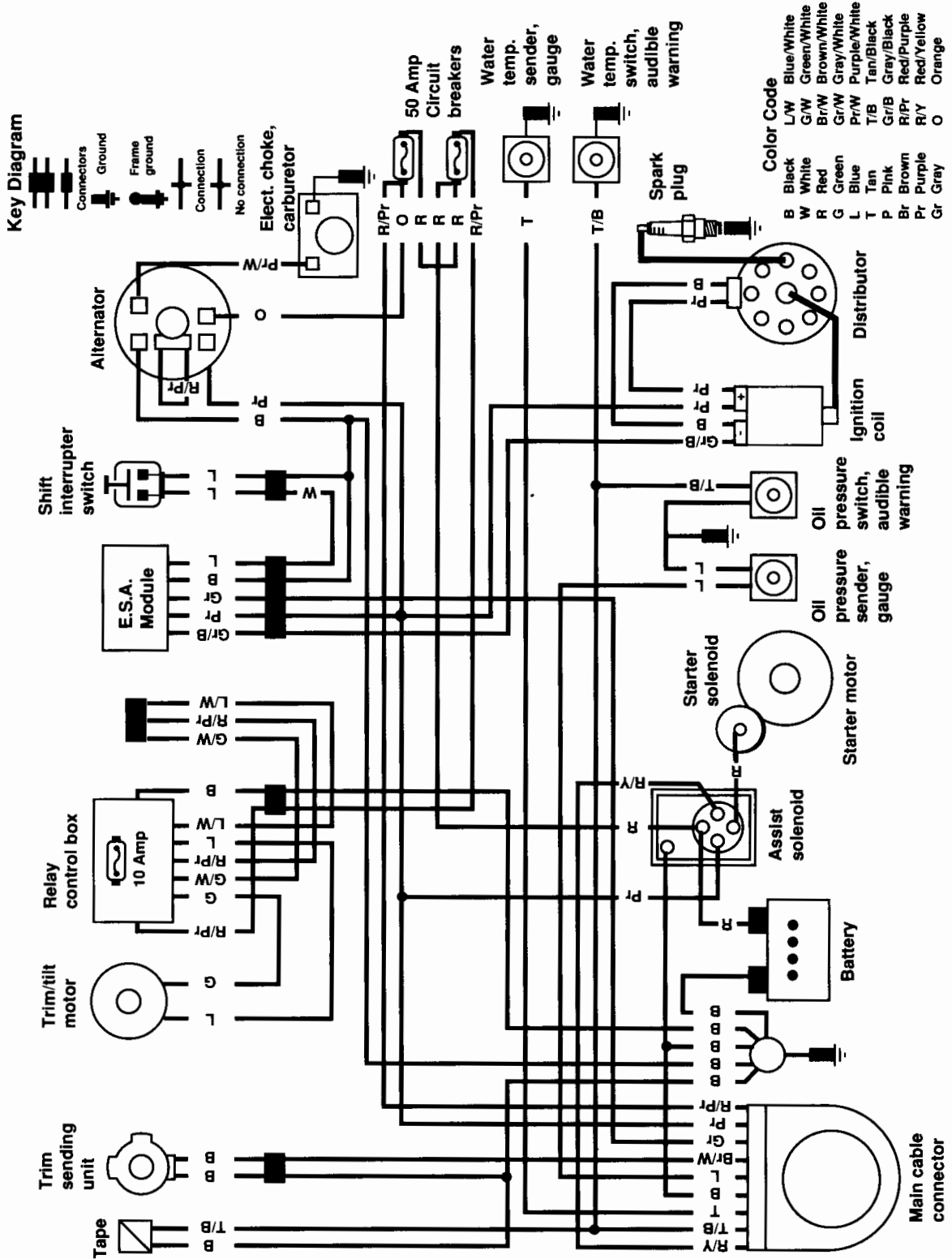
Key Diagram



Color Code

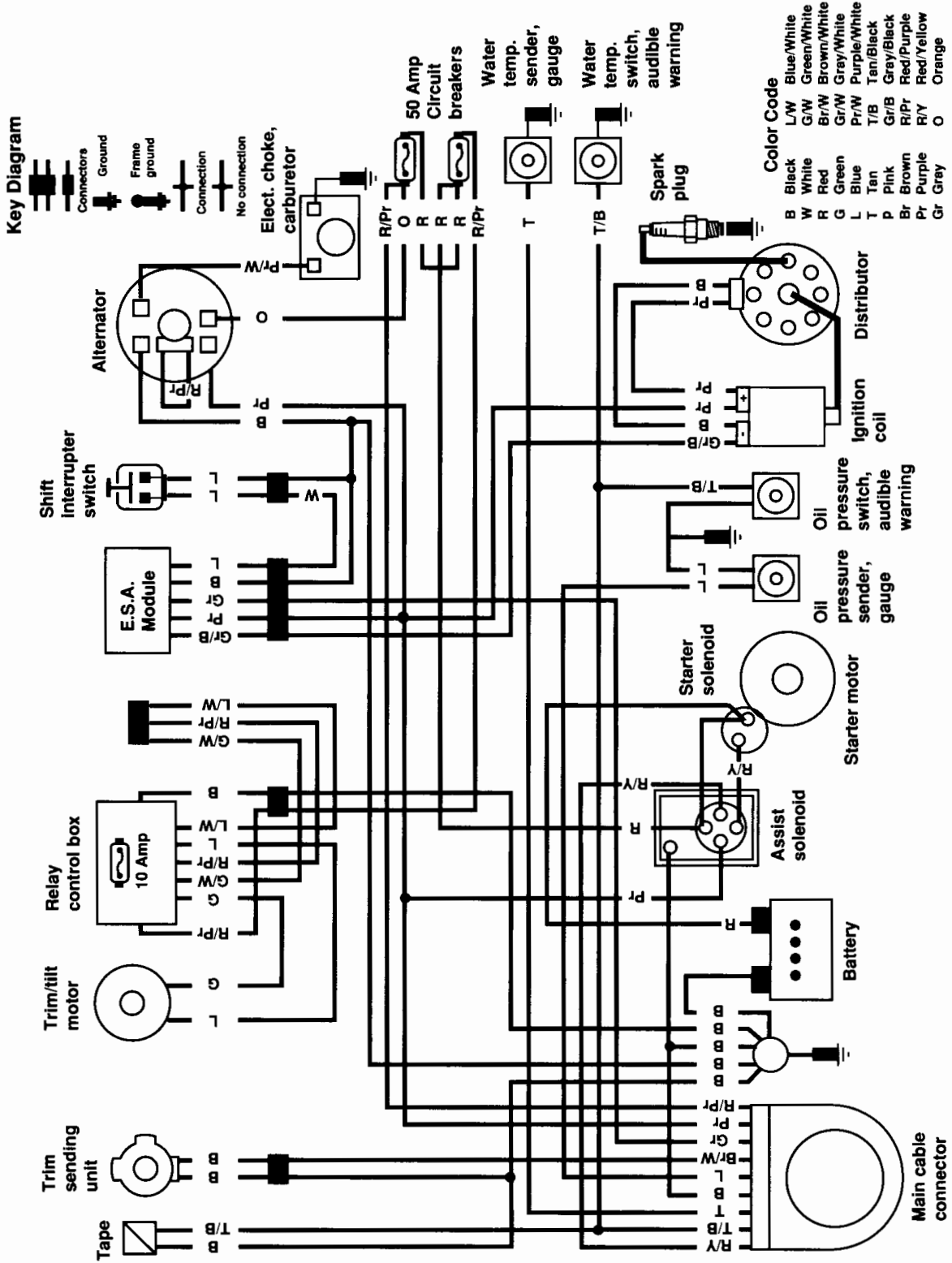
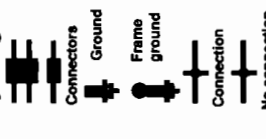
B	Black	L/W	Blue/White
W	White	G/W	Green/White
R	Red	Br/W	Brown/White
G	Green	Gr/W	Gray/White
L	Blue	P/W	Purple/White
T	Tan	T/B	Tan/Black
P	Pink	Gr/B	Gray/Black
Br	Brown	R/Pr	Red/Purple
Pr	Purple	R/Y	Red/Yellow
Gr	Gray	O	Orange

1992 ENGINE CABLE 5.0L, 5.0L HO & 5.8L



See the e-informationstation.com for all your manual needs
1993 ENGINE CABLE 5.0L, 5.0L HO & 5.8L

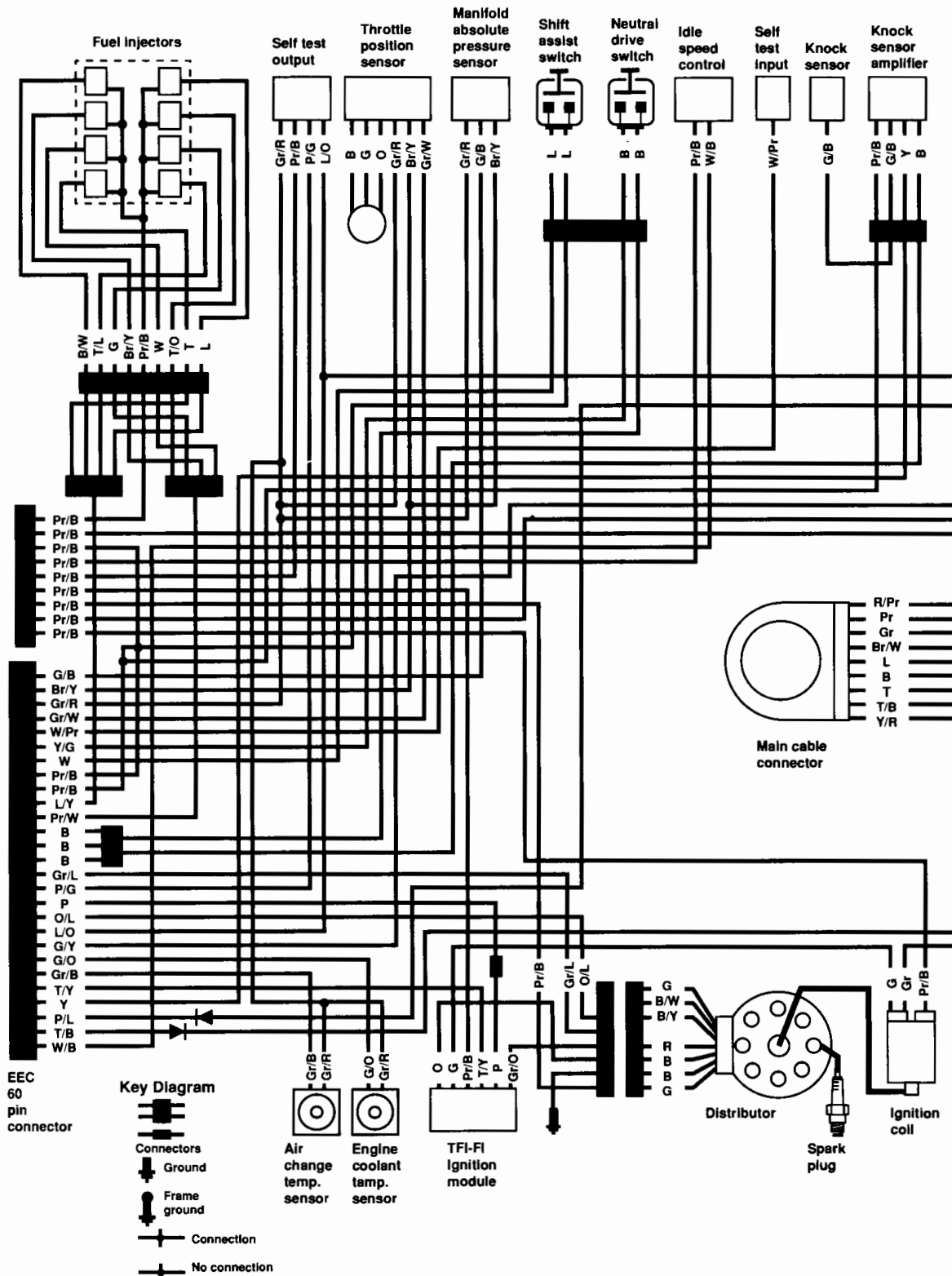
Key Diagram

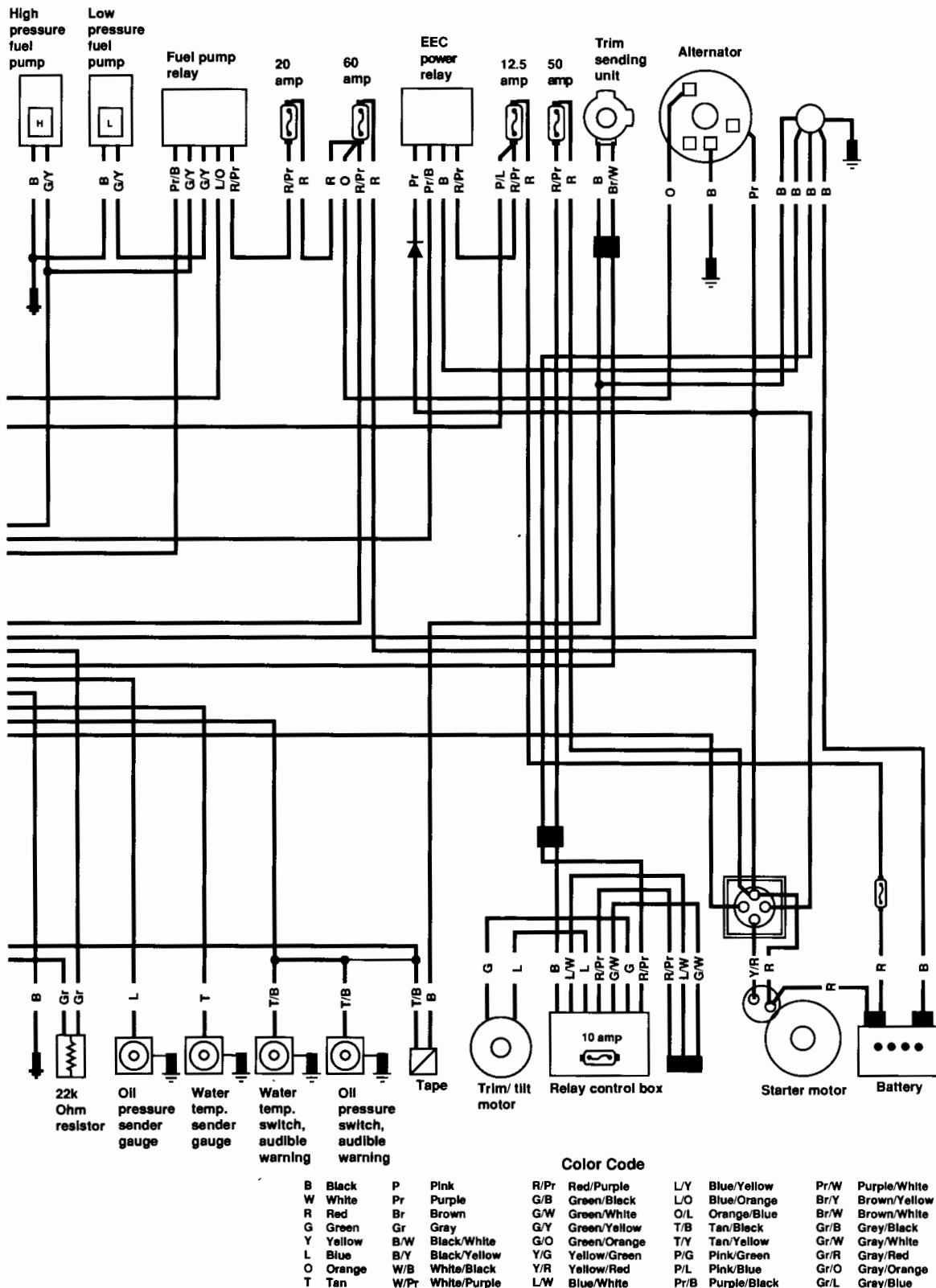


Color Code

B	Black	L/W	Blue/White
W	White	G/W	Green/White
R	Red	Br/W	Brown/White
G	Green	Gr/W	Gray/White
L	Blue	Pr/W	Purple/White
T	Tan	T/B	Tan/Black
P	Pink	Gr/B	Gray/Black
Br	Brown	Ri/P	Red/Purple
Pr	Purple	R/Y	Red/Yellow
Gr	Gray	O	Orange

5.0 & 5.8 EFI





B	Black	P	Pink	R/Pr	Red/Purple	L/Y	Blue/Yellow	Pr/W	Purple/White
W	White	Pr	Purple	G/B	Green/Black	L/O	Blue/Orange	Br/Y	Brown/Yellow
R	Red	Br	Brown	G/W	Green/White	O/L	Orange/Blue	Br/W	Brown/White
G	Green	Gr	Gray	G/Y	Green/Yellow	T/B	Tan/Black	Gr/B	Gray/Black
Y	Yellow	B/W	Black/White	G/O	Green/Orange	T/Y	Tan/Yellow	Gr/W	Gray/White
L	Blue	B/Y	Black/Yellow	Y/G	Yellow/Green	P/G	Pink/Green	Gr/R	Gray/Red
O	Orange	W/B	White/Black	Y/R	Yellow/Red	P/L	Pink/Blue	Gr/O	Gray/Orange
T	Tan	W/Pr	White/Purple	L/W	Blue/White	Pr/B	Purple/Black	Gr/L	Gray/Blue