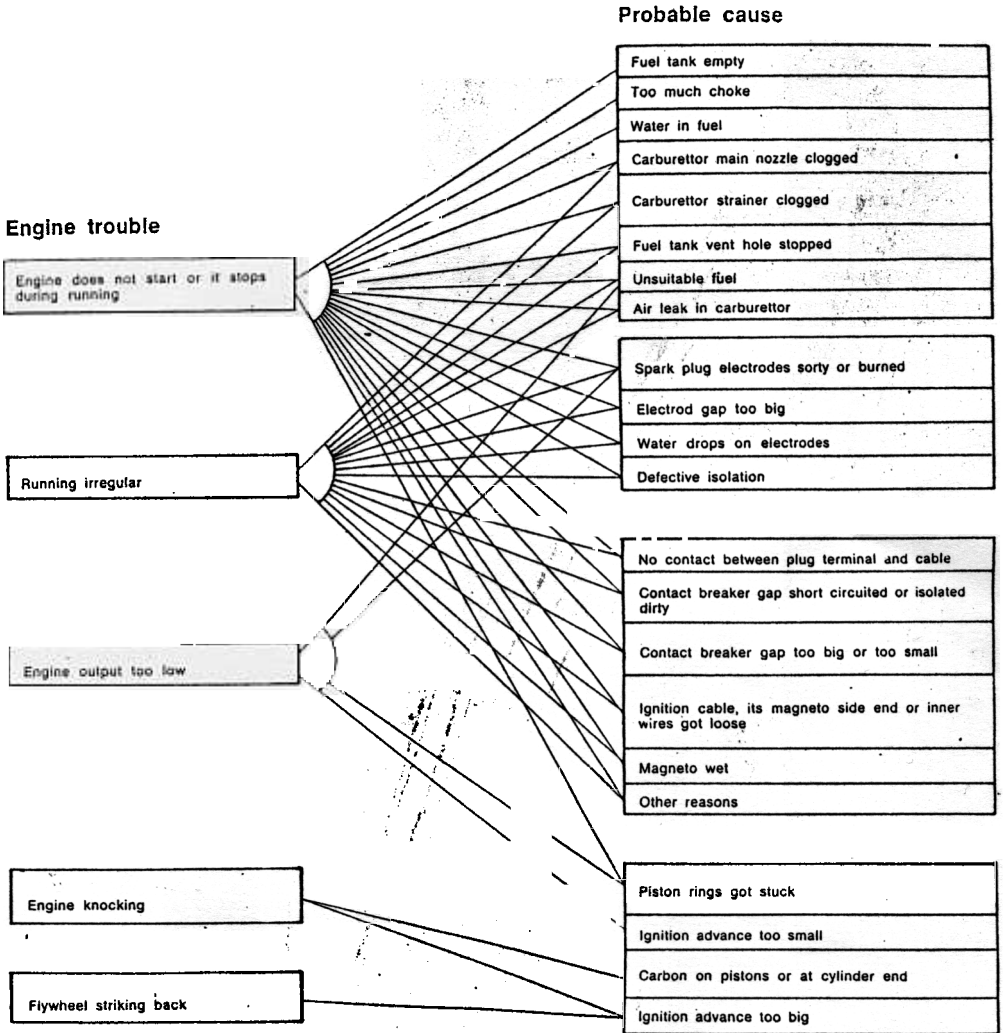


Table of troubles and their causes



SPARE PARTS LIST

When ordering spare parts the type of engine, serial No, name of part, spare part No and the quantity needed are to be mentioned.

Example 1 Vire BVR No 12002 part 2 Piston compl. 8260 01598 1 off
 „ 2 Vire BVR No 12002 „ 8 Sealing ring 6158 70812 6 ;„

Ref. No	Name	Part No	Qty
Fig. 6			
751	Carburettor body	8260 82439	
752	Throttle lever	8260 82042	1
753	Fixing screw for cable	8260 82365	1
754	Fixing screw for throttle lever	8260 82378	1
755	Screw for shaft retainer	8260 82395	1
756	Spring washer	8260 82392	1
757	Shaft retainer	8260 82422	1
758	Throttle disc	8260 82435	1
759 *)	Throttle disc fixing screw and locking washer	8260 82421	1
760	Carburettor flange gasket	8260 82430	1
761	Throttle shaft	8260 82437	1
762 *)	Returning spring	8260 83684	1
763 *)	Setting screw for idling	8260 83680	
764 *)	Spring for setting screw	8260 83683	1
765	Washer	8260 82428	1
766	Sealing ring	8260 82427	1
767 *)	Setting screw for main nozzle	8260 83682	1
768 *)	Spring for setting screw	8260 83683	1
769	Washer	8260 82428	1
770	Sealing ring	8260 82427	1
771	Choke lever and shaft	8260 82436	1
772 *)	Setting screw for idling speed	8260 15238	1
773 *)	Spring for setting screw	8260 83681	1
774	Nozzle	8260 82429	1
775 *)	Plug plate	8260 83676	1
776	Locking spring for choke lever	8260 82420	1
777	Locking ball for choke lever	8260 82414	1
778	Choke disc	8260 82438	1

Ref. No	Name	Part No	Qty
779	Fixing screw for choke disc and locking washer	8260 82421	1
780	Sealing for needle valve	8260 82424	1
781 *)	Needle valve and sealing	8260 15239	1
782 *)	Spring for needle valve lever	8260 15240	1
783 *)	Needle valve lever	8260 15083	1
784 *)	Needle valve lever shaft	8260 15084	1
785 *)	Screw for lever shaft	8260 15085	1
786	Gasket	8260 82431	
787 *)	Membrane	8260 83677	1
788	Membrane cover	8260 13549	1
789	Fuel pump gasket	8260 82433	1
790 *)	Membrane for fuel pump	8260 83678	
791	Fuel pump body	8260 82434	1
792	Fixing screws for pump body	8260 82423	6
793 *)	Fuel strainer	8260 83679	1
794	Gasket for strainer cover	8260 82426	1
795	Strainer cover	8260 82425	
796 *)	Screw for strainer cover	8260 15076	
797 *)	Gasket set	8260 82374	1
798	Repair parts kit	8260 82390	1

Parts marked *) are delivered with the repair parts kit.

Fig. 7

301	Ignition coil	8260 82337	1
302	Breaker cam	8260 82343	1
303	Condenser	8260 82335	1
304	Lubrication felt	8260 82358	1
305	Magnet ring	8260 82348	1
306	Flywheel	8260 10123	
307	Hex. screw M6 x 19	5288 01080	4
308	Hex. nut M6	5048 00600	4
309	Screw with cylindrical head	8260 82418	4
310	Light coil	8260 82347	1
311	Armature compl.	8260 82353	1
312	Locking spring	8260 82355	1
313	Breaker points	8260 82336	1
314	Locking nut to breaker point	8260 82415	1

Fig. 8

830	Protecting belt	8260 15241	
831	Bearing shield, collector end	8260 15242	1

Ref. No	Name	Part No	Qty
832	Brush spring	8260 82334	4
833	Ball bearing, collector end ..	6100 62020	1
834	Armature with bearings	8260 82333	1
835	Ball bearing, driving end	6100 62030	1
836	Wedge 3x5	6033 05430	1
837	Spring washer	5004 51400	1
838	Hex. nut M14x1,5	5056 11400	1
839	Bearing shield, driving end	8260 15245	
840	Coil No 1	8260 82323	1
841	Coil No 2	8260 82325	1
842	Coil No 3	8260 82326	1
843	Coil No 4	8260 82328	1

Fig. 9

801	Generator-starter Bosch	8260 82044	
802	Hex. screw M10x35	5298 01820	
803	Hex. nut M10	5046 01000	
804	Spring washer \varnothing 10	5004 51000	2
805	Mounting bracket	8260 10892	1
806	Hex. screw M8x25	5298 01400	2
807	Washer \varnothing 8	5001 50840	2
808	Spring washer \varnothing 8	5004 50800	3
809	Hex. screw M8x20	5288 01382	4
810	Carbon brushes	8260 82331	4
811	Fuse box (2 fuses each 8 amps.)	8260 80318	1
812	Voltage regulator Bosch	8260 82040	1
813	Panel	8260 12095	1
814	Current switch	8260 80323	
815	Charging lamp holder	8260 80320	1
816	Charging lamp 12V 3W	8260 80319	1
817	Exhaust silencer	8260 10786	1
818	Exhaust elbow	8260 10792	
819	Copper pipe \varnothing 6x1x170	8260 82350	
820	Hex. nut M8	5046 00800	
821	Hex. screw M8x35	5298 01420	
822	Rubber belt 9,5x825	8260 80372	1
823	Belt pulley	8260 10758	
824	Cylindrical head screw M8x40	5819 04650	4
825	Belt spanner	8260 10894	1
826	Belt pulley	8260 10763	1

Ref. No	Name	Part No	Qty
Fig. 10			
	Propellershaft complete (parts 601...603 and 609...611)	8260 12902	
602	Wedge, normal	6030 30565	
603	Circlip	6173 00019	
604	Shaft seal 2 off	6141 02535	
605	Propellershaft bearing front	8260 04539	
	Stern tube complete (parts 604...608, 613...614)	8260 12905	
	Propellershaft bearing front complete (parts 604...607 and 614)	8260 12908	
	Stern tube incl. rear bearing (parts 608...613)	8260 12911	
606	Rubber hose	8260 10797	
607	Hose fastener 2 off.	6020 82040	
609	Propeller nut M20	5046 02000	
610	Securing plate for prop. nut	8260 04558	
611	Vedge, rustproof	6030 30565	
612	Propeller 2 blades 13" x 10"	8260 97224	
	Propeller 3 blades 12" x 10" standard equipment	8260 04559	
	Propeller 2 blades 10" x 13"	8260 97225	
613	Prop. shaft bearing rear	8260 10796	
614	Vaseline cup	6449 01005	

When ordering a propeller shaft, the diameter of it, is to be mentioned as well if of normal steel or stainless. The shafts and stern tubes are delivered in lengths with 10 cm difference according to requirements.

PARTS FOR COOLING SYSTEM

Suction pipe, for boat bottom	8260 06319
Bottom strainer	8260 06473
Bottom valve	8260 10564
Outlet piece to boat side wall	8260 06318

Fig. 11

554	Coupling rod	8260 06646	1
555	Locking stud	8260 01304	1
556	Spring	8260 01305	1

Ref. No	Name	Part No	Qty
557	Coupling pin	8260 02041	
558	Rubber bush	8260 02043	
559	Coupling crank	8260 02005	
560	Conical pin Ø 8x40	5942 54650	
561	Sealing ring	6146 00173	
562	Brake spring	8260 02057	
563	Bush	8260 02080	1
564	Shaft	8260 06084	1
565	Gear wheel	8260 06086	1
566	Retaining ring	6173 30028	1
567	Ball bearing	6100 60010	2
568	Circlip	6173 00012	1
569	Washer	8260 06085	2

Fig. 12

1	Cylinder	8260 12720	
2	Piston normal (incl. rings and pin)	8260 01598	
	Piston 0,5 mm oversize (incl. rings and pin)	8260 97249	
3	Piston bush	8260 01397	1
4	Piston ring, normal cr. plated	8260 97250	1
	Piston ring 0,5 mm oversize, cr. plated	8260 97252	
5	Piston ring, normal	8260 01599	2
	Piston ring 0,5 mm oversize	8260 97251	
6	Piston pin	8260 01597	1
7	Circlip for piston pin	6173 30017	2
8	Sealing ring	6158 70812	6
9	Hex. screw M8x65 for crankcase	5298 01480	6
10	Gasket cylinder-crankcase	8260 01596	1
11	Earthing switch	8260 12357	
12	Gasket for flywheel cover	8260 01595	
13	Hex. screw M6x50 for flywheelcover	5298 01151	
14	Flywheel cover	8260 10935	1
15	Magneto Bosch compl. with flywheel	8260 10256	1
16	Starting wheel	8260 06120	1
17	Key for starting wheel	8260 01642	1
18	Nut for starting wheel M16	5048 01600	1
19	Shaft seal	6141 03052	
20	Cyl. head screw M5x15	5638 03380	3
21	Locking spring	5023 50501	3
22	Ball bearing	6100 63060	2
24	Sealing ring A6x10	6158 70610	1
25	Hex. screw M6x10	5288 01040	

Ref. No	Name	Part No	Qty
28	Crankshaft front part	8260 10045	
29	Connecting rod	8260 10652	1
30	Connecting rod bearing	6120 50224	
31	Crank pin	6100 22996	1
34	Suction pipe	8260 06316	1
35	Sealing ring 10x14x1	6158 71014	2
51	Circlip	6173 00030	1
53	Stud M10x22	5468 01760	1
54	Hex. nut	8260 01604	1
55	Copper-asbest packing	8260 01602	3
57	Hex. nut	8999 01075	7
58	Stud M8x18	5468 01370	6
59	Exhaust elbow	8260 09584	1
60	Spark plug	8260 80303	1
61	Cable terminal	8260 83622	1
62	Sealing ring	8260 01630	2
63	Sealing ring	6158 80188	2
64	Fixing screw	8260 05814	2
65	Outlet pipe for cooling water	8260 06317	1
66	Ignition cable		1
67	Securing plate	5029 50510	2
68	Cyl. head screw M5x8	5636 03350	2
69	Fastening ring	8260 14241	1
70	Hex. nut M5	5046 00500	1
71	Air filter	8260 14249	
72	Cyl. head screw M5x25	5635 03420	1
73	Rubber pipe	8260 82227	1
74	Stud M8x22	5468 01390	2
75	Hex. nut	8260 01631	2
76	Cyl. head screw M8x35	5638 04641	4
80	Silencer bracket	8260 09585	
81	Exhaust pipe flange	8260 09588	
82	Exhaust silencer	8260 09583	
83	Plug	8260 01360	1
84	Electric wire connection for 2 cables	8260 80381	1
85	T-valve	8260 06853	1
86	Water pipe	8260 06854	1
87	Cable seal	8260 01633	2
88	Clip Ø 9	6020 67409	2
93	Washer 6,4	5001 50640	2
94	Hex. nut M6	5048 00600	2
95	Stud M6x18	5468 01071	2
96	Carburettor Tillotson HL 180A	8260 82041	1

Ref. No	Name	Part No	Qty
503	Crankshaft rear part	8260 10677	
504	Crankshaft compl. with connecting rod	8260 10676	
505	Crankcase, front and rear part	8260 12722	1
506	Shaft seal housing	8260 12309	
507	Shaft seal	6141 03052	
508	Retaining plate	8260 12310	
509	Circlip	6137 00020	1
510	Gasket crankcase-gear box	8260 01319	1
511	Roller bearing	6120 30204	2
512	Gear wheel	8260 10871	2
513	Screw shaft	8260 10927	1
514	Clutch cone	8260 10872	1
515	Casing for gear box	8260 02100	1
516	Shims	8260 01306	
517	Shaft seal	6141 02540	1
518	Magnet plug M12x1,25	8260 80301	1
519	Gasket for magn. plug		
520	Bush	8260 10928	1
521	Wedge	8260 07845	1
522	Securing plate Ø 16,5	5001 51650	1
623	Hex. nut M16x1,5	5046 11600	1
524	Coupling flange	8260 07089	
525	Elastic disc	8260 07088	
526	Coupling flange	8260 07094	
527	Washer ring	8260 07096	3
528	Crown head nut M8	5075 00800	
529	Split pin 2x22	5941 51110	
530	Stud M8x32	5468 01415	
531	Stud M8x25	5468 01400	3
532	Washer Ø 8,4	5001 50840	3
533	Water pump gear, driving	8260 01294	1
534	Hex. screw M8x38	5298 01425	2
535	Key	8999 01432	1
536	Shaft	8260 01295	1
537	Water pump housing	8260 01297	1
538	Water pump gear, driven	8260 01296	1
539	Plate	8260 01298	1
540	Sealing ring	8260 01307	1
541	Vaseline cup Stauffer	6449 11002	
542	Shaft seal	6143 01530	2
543	Ball bearing	6100 22030	1
544	Gear wheel	8260 01309	1
545	Key	6030 30554	2

Ref. No	Name	Part No	Qty
546	Driving shaft	8260 01311	1
547	Gear wheel	8260 01308	1
548	Circlip	6173 30072	1
549	Hex. screw M8x28	5298 01410	6
550	Stud M8x22	5468 01390	1
551	Cylindrical pin 8x20	5943 54600	2
552	Oil cup	6448 01010	1
553	Water pipe	8260 01359	1

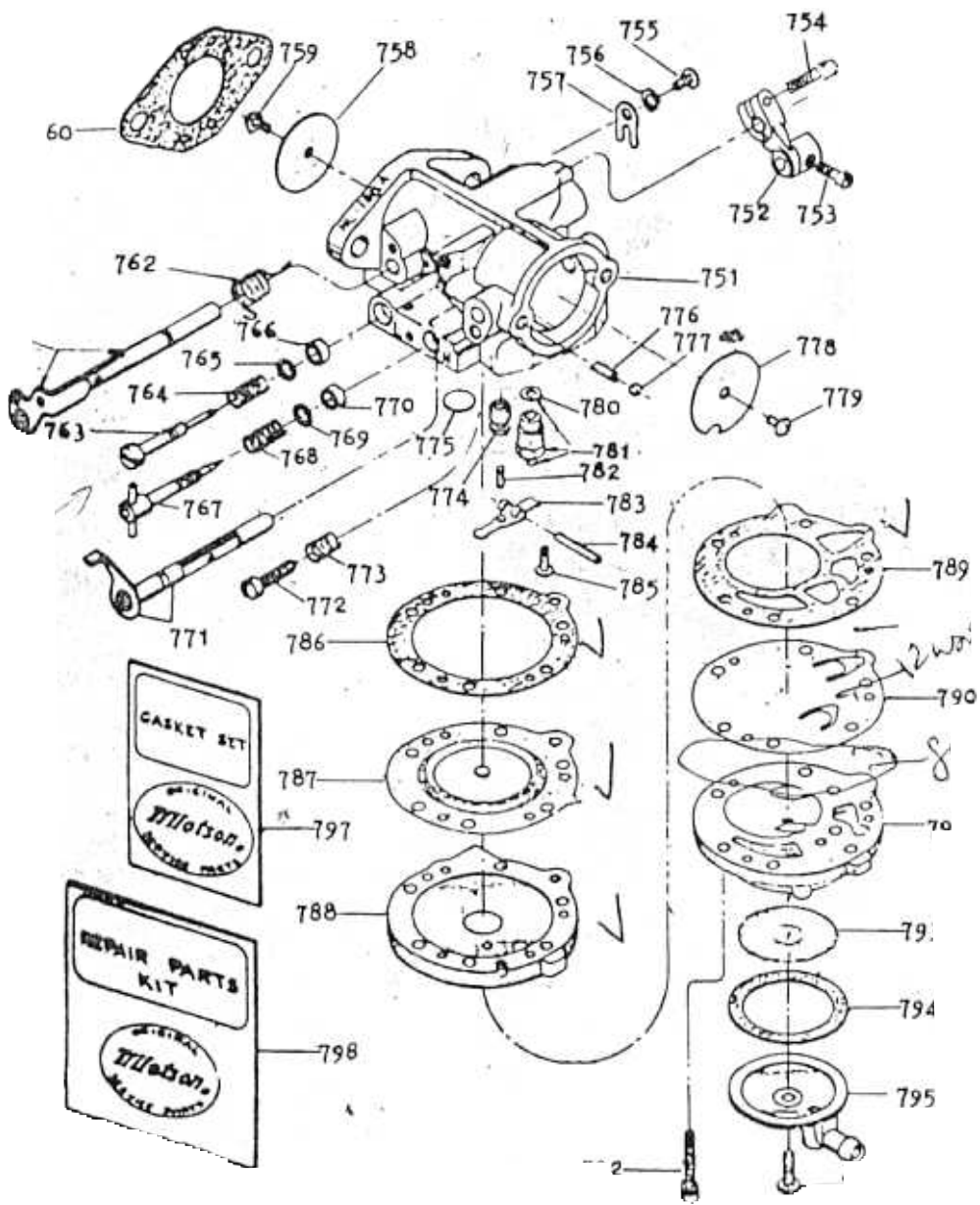


Figure Carburettor

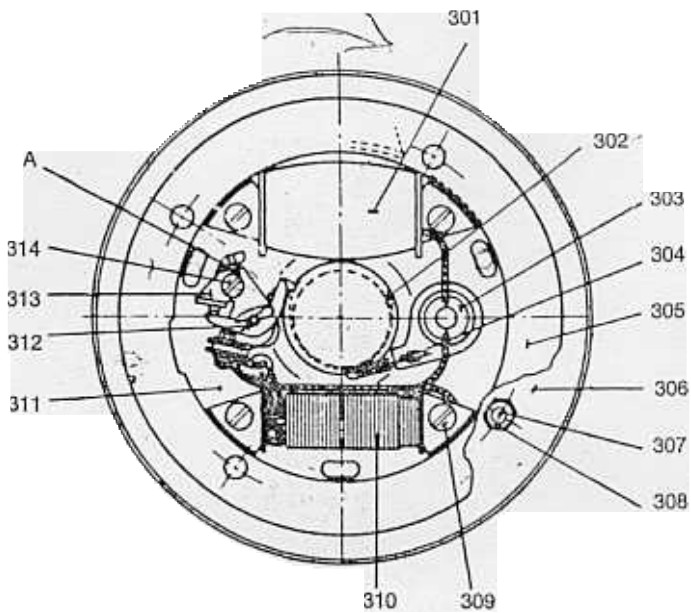


Figure 7 Flywheel magneto.

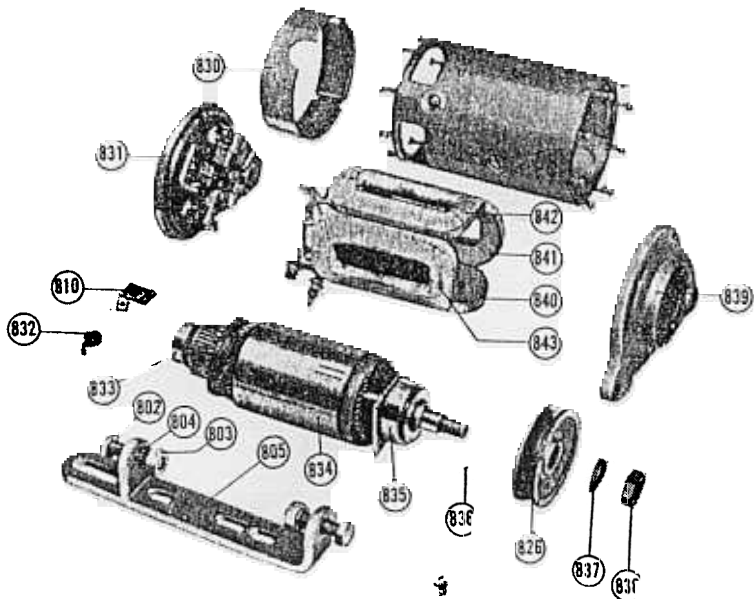


Figure 8 Generator-starter

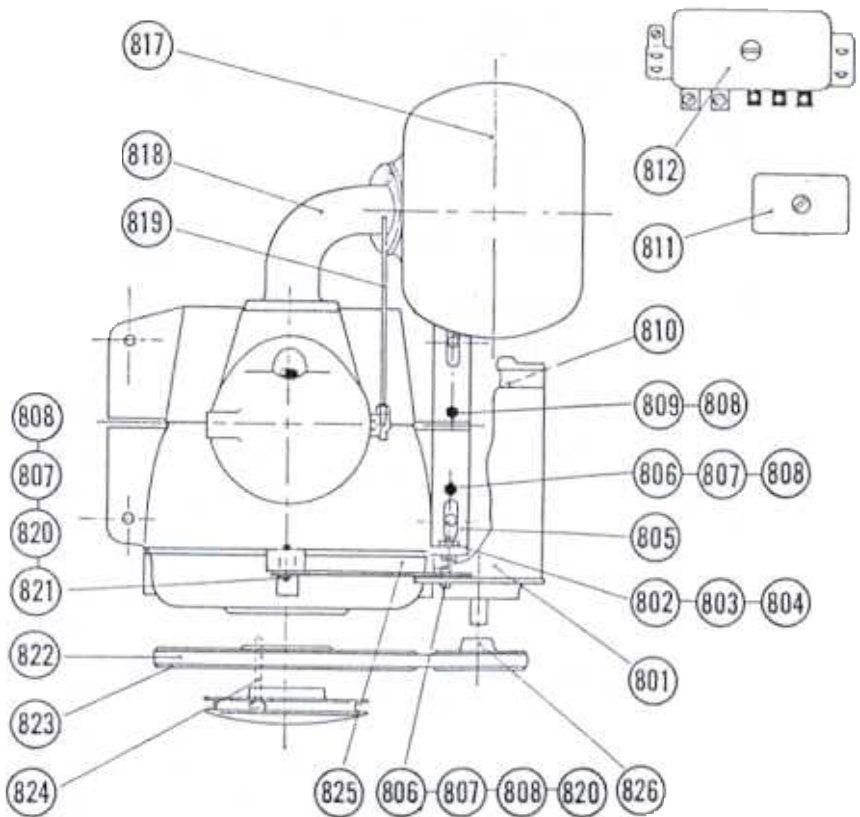
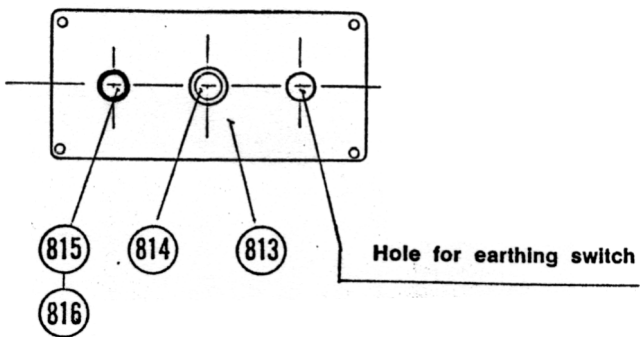


Figure 9 Generator-starter and additional parts

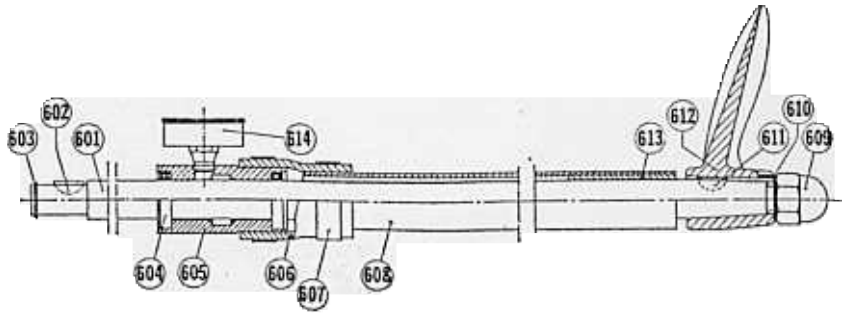


Figure Propeller shafting

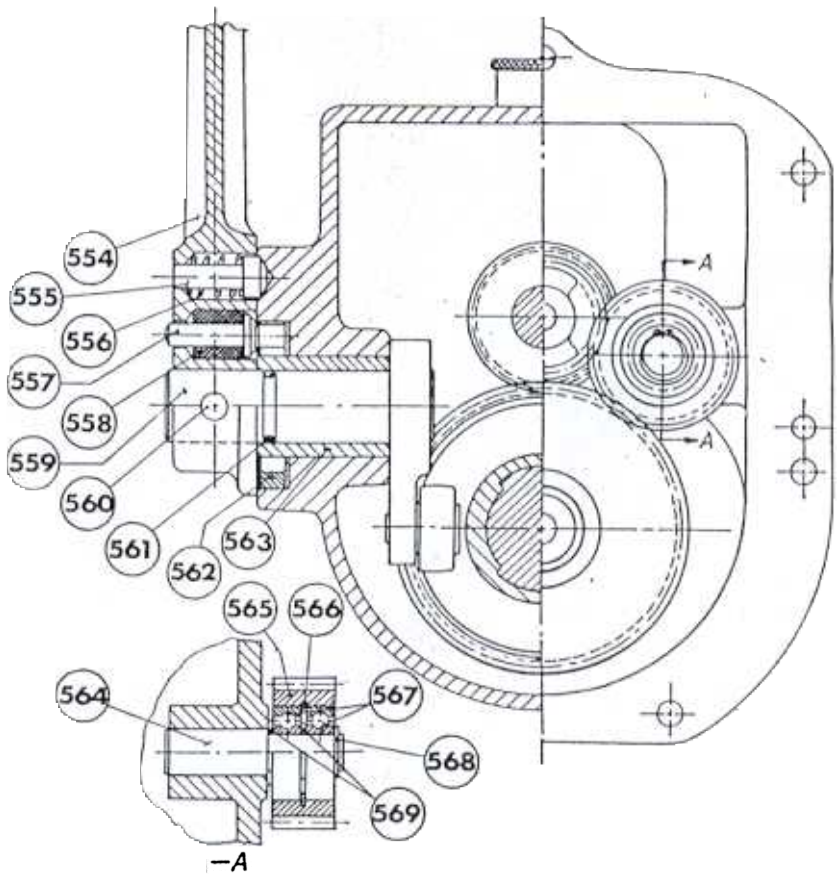
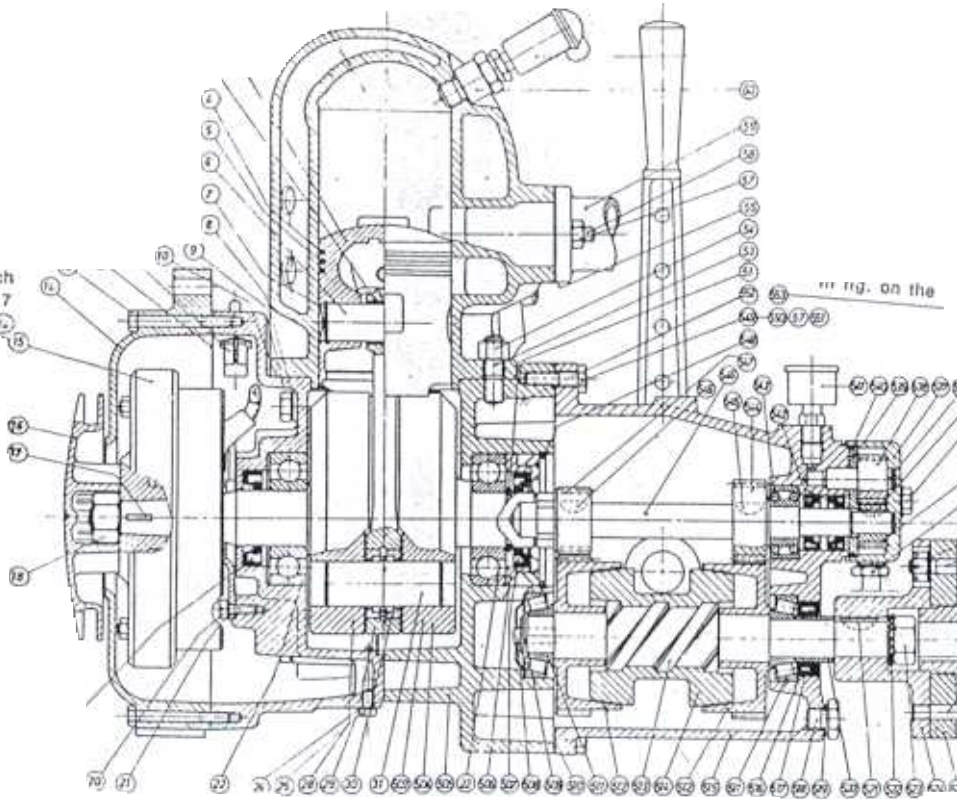


Figure marine gear

1

Bosch
Fig. 7
201-212



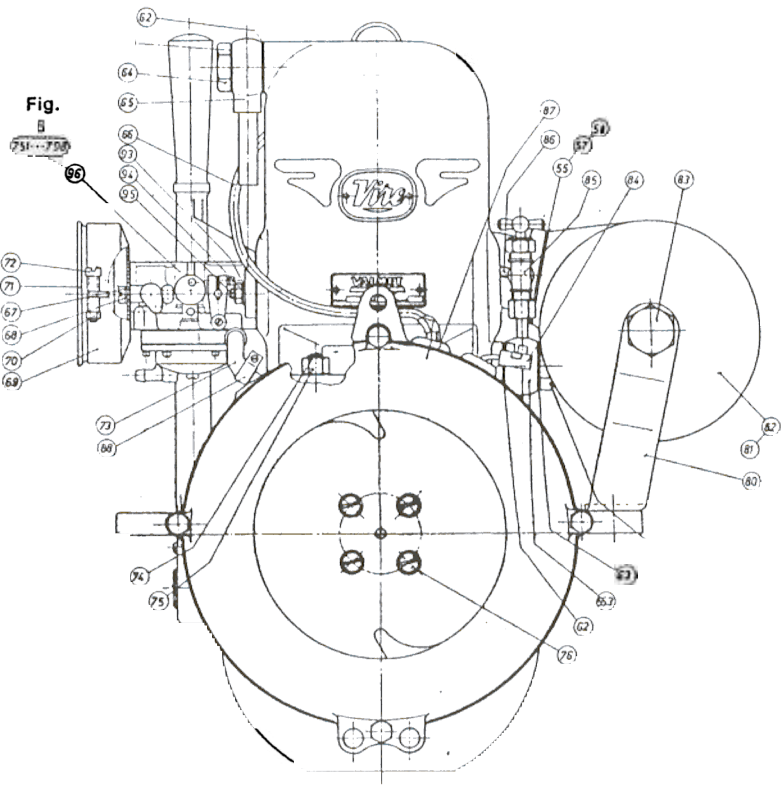


Figure Engi